

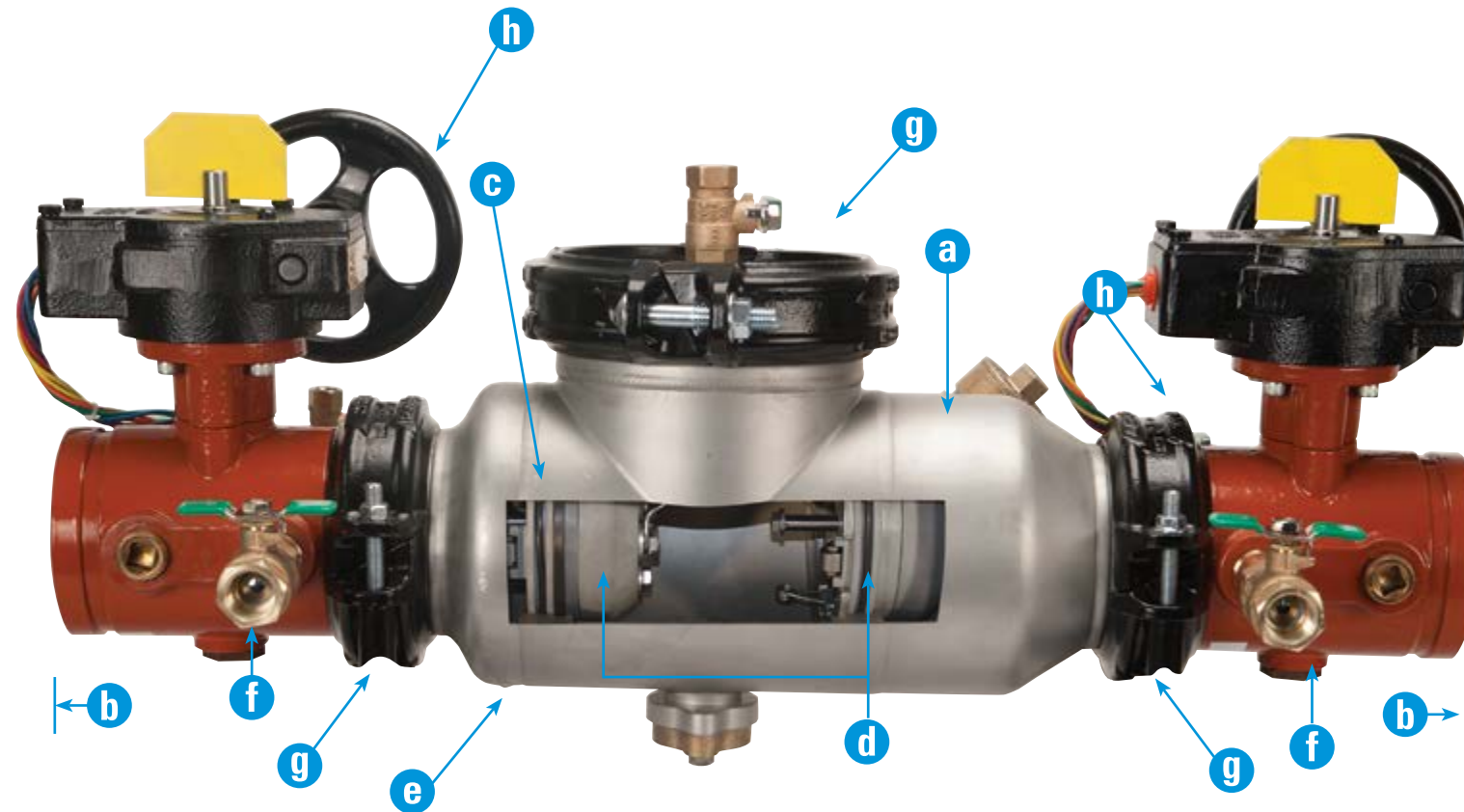


Stainless Steel

The Next Generation of Backflow



- a** 304L grade stainless steel body available in grooved or flanged end shut-off valve configurations
- b** Shorter lay length can fit in any new or existing installation
- c** New Check Reinforcement Ring, providing torsional strength, rigidity, and consistency on grooved weld
- d** Patented center-stem-guided Compound Check with standardized repair parts compatible with legacy models
- e** Relief valve sensing port located away from debris path, reducing risk of fouling
- f** Test cocks can be located on either side of valve
- g** Industry standard grooved couplings used throughout
- h** Shut-offs available as NRS, PIV, OS&Y gate valves, and butterfly valves
- j** Stainless Steel Stems on OS&Y Gates
- i** Available with Flanged Butterfly Valves



i 350 Double Check Assembly 2-1/2" - 10"

- Low-hazard applications
- Horizontal or vertical installations
- ASSE 1015, AWWA C-510, FM, UL, CUL, CSA B64.5, USC



Model 350ASTOSY Shown

j 350 Double Check Detector Assembly 2-1/2" - 10"

- Low-hazard fire protection applications
- Horizontal or vertical installations
- ASSE 1048, AWWA C-510, FM, UL, CUL, CSA B64.5.1, USC



Model 350ASTDABF Shown



Preferred by
Certified Backflow Technicians



300AST Series Accessories and Options

300 Series Features

Sizes: 2-1/2", 3", 4", 6", 8", 10"

Maximum working water pressure 175 PSI

Maximum working water temperature 140°

Hydrostatic test pressure 350 PSI

End connections

(Grooved for steel pipe) AWWAC606

(Flanged) ANSI B16.1 Class 125

Integral Relief Valve Monitor Switch Option

- In the event of a backflow condition, the relief valve closes an electrical contact on the MS switch, signaling that a possible relief valve discharge may be occurring
- This option is ideal for use in mechanical rooms, basements and enclosures where undetected relief valve discharge could potentially cause water damage
- Can be connected to a central alarm panel
- May be used with Zurn Wilkins EST and ZW206

Options

(Suffixes can be combined)

- with flanged end NRS gate valves (standard)
- FSC - with epoxy coated wye type strainer (flanged only)
- G - with grooved end NRS gate valves
- GF - with grooved inlet gate connection and flanged outlet gate connection
- FG - with flanged inlet gate connection and grooved outlet gate connection
- MS - with Integral Relief Valve Monitor Switch
- OSY - with flanged end OS&Y gate valves
- OSYG - with grooved end OS&Y gate valves
- BG - with grooved end butterfly valves with integral supervisory switches
- BF - with flanged end butterfly valves with integral supervisory switches
- PI - with post indicator gate valves

Accessories

- Repair kit (rubber only)
- Thermal expansion tank (Model XT)
- OS & Y Gate valve tamper switch (OSY-40)
- Air gap (Model AG)
- Electronic Solenoid Timer (Model EST)
- QT-SET Quick Test Fitting Set
- Wye Strainers (Model FSC)

Five-year stainless steel body warranty*

- Time tested, most reliable backflow components
- Sustainable solution to ensure safe drinking water
- Ultimate in liability protection

Lowest total life-cycle cost, providing facility management budget savings

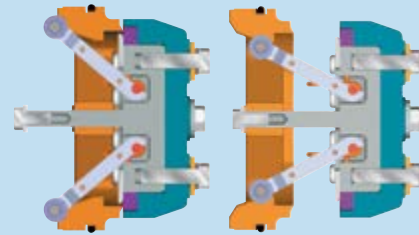
- Simple, easy maintenance requires less labor
- Low cost repair kits

Enhanced flow performance, curves available on Zurn.com

* Warranty covers workmanship and materials on the body only

Proven, Patented Compound Check

- Provides a mechanical "assist" resulting in very low pressure loss
- Center stem guided to ensure no backflow
- Reversible, replacement seat discs allow minimum down time and minimum repair costs



Visit www.youtube.com/OneZurn for Zurn Wilkins Backflow Preventer videos

300AR Series Backflow Preventer

300AST Series is also available as the Patented AR Series, Custom Length Assembly Replacement

Save time and money during a backflow replacement

Features and Benefits

- Custom manufactured assembly to virtually any given length, allowing for drop in replacement of any legacy or competitive valve on the market
- Simple replacement without the need for spool fabrication
- Just measure the current flange face-to-face dimension and your 300AR will be built to match the current footprint
- Shut-offs remain in the same location, enabling tamper switches to be reinstalled without modifying electrical wiring
- Zurn Wilkins is the only manufacturer that offers this patented solution, US Patent No. 8,997,772



Valve Size	Minimum Face to Face Dimension (overall lay length)			
	Ductile Iron Body		Stainless Steel Body*	
	Gate Valves	Butterfly Valves	Gate Valves	Butterfly Valves
2-1/2"	37-1/8"	34-1/8"	34"	31"
3"	38-1/8"	34-5/8"	35"	31-1/2"
4"	40-1/2"	35-3/4"	37-3/8"	32-5/8"
6"	49-1/2"	42-1/2"	46"	39"
8"	64-7/8"	57-7/8"	55-3/4"	48-3/4"
10"	67-3/8"	61-3/8"	58-5/8"	52-5/8"

Valve Size	Maximum Lengths		
	Length Range "A"	Length Range "B"	Length Range "C"
2-1/2"	47-1/8"		
3"	48-1/8"		
4"	50"	62-1/4"	
6"	59"	71-1/4"	
8"	74"	86"	
10"	77"	89"	100-5/8"

Custom lengths longer than shown are available

* Stainless steel backflow body is slightly shorter than ductile iron body

350 Double Check Detector Assembly 2-1/2" - 10"

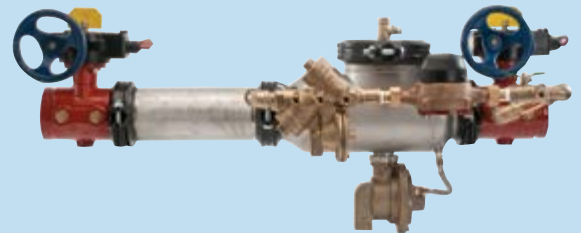
- Low-hazard applications
- ASSE 1048, AWWA C-510, FM, UL, CUL, CSA B64.5.1, USC



Model 350ASTDARBF shown

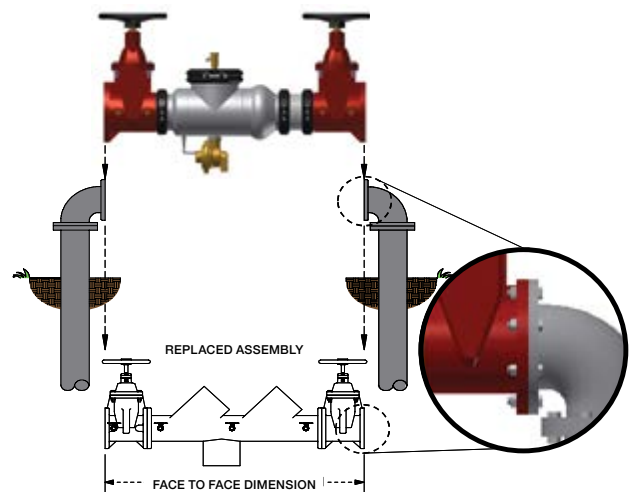
375 Reduced Pressure Detector Assembly 2-1/2" - 10"

- High-hazard fire protection applications
- ASSE 1047, CSA B64.4.1, FM, UL, CUL, USC

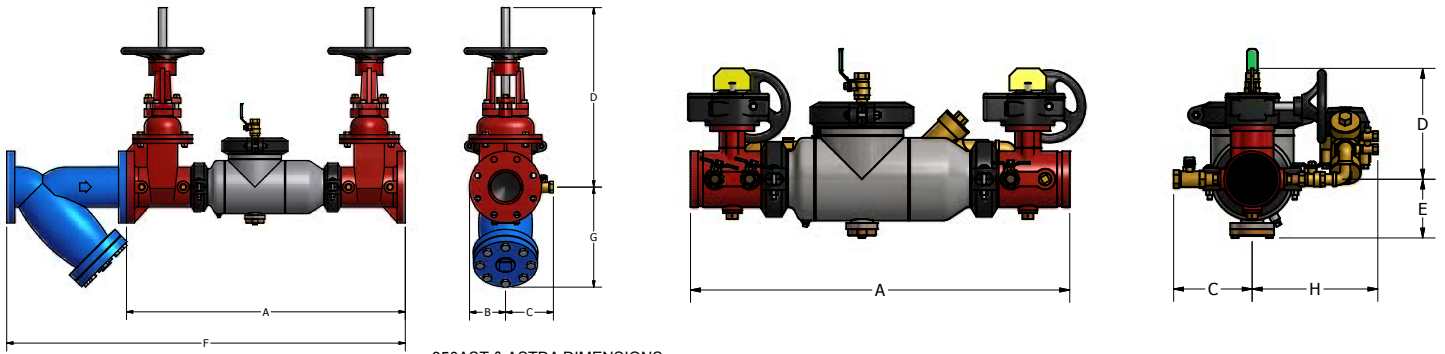


Model 375ASTDARBG Shown

ZURN WILKINS MODEL 375ASTR



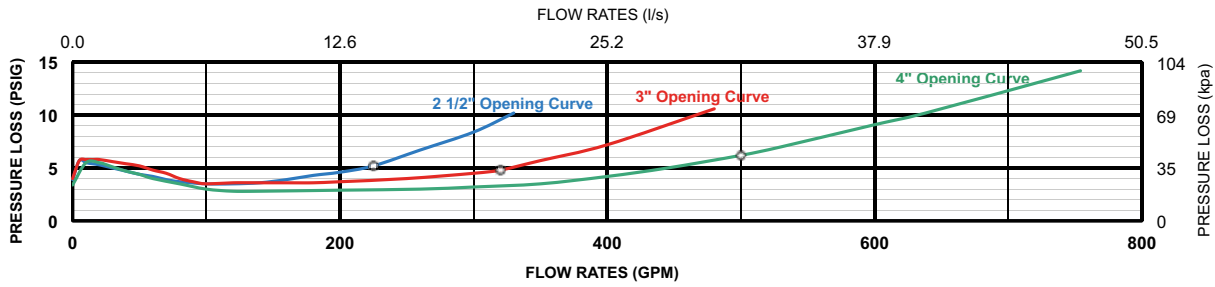
350 Double Check Assembly (350AST) and 350 Double Check Detector Assembly (350ASTDA)



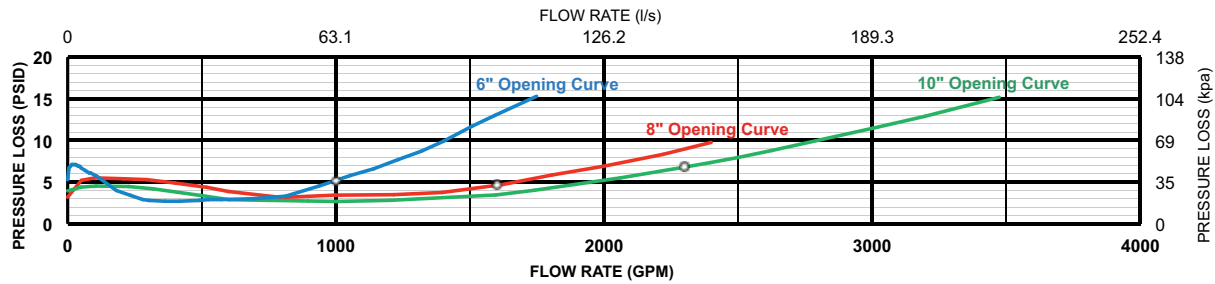
350AST & ASTDA DIMENSIONS

SIZE	DIMENSION (approximate)																								
	A		A WITH BUTTERFLY		B		C		D NRS GATE		D OS&Y OPEN		D OS&Y CLOSED		D WITH BUTTERFLY		E		F		G		H		
	in.	mm	in.	mm	in.	mm	in.	mm	in.	mm	in.	mm	in.	mm	in.	mm	in.	mm	in.	mm	in.	mm	in.	mm	
2 1/2	65	31 7/8	810	28 3/4	730	4 1/2	114	7 1/4	184	11 1/2	292	17 3/4	451	15 3/8	391	8 1/4	210	5	127	42	1067	8 1/4	210	12	305
3	80	32 7/8	835	29 3/8	746	4 1/2	114	7 1/4	184	12 3/4	324	20 1/4	514	17	432	8 1/4	210	5	127	43 1/2	1105	9 1/4	235	12	305
4	100	34 7/8	886	30 1/4	768	4 1/2	114	8	203	14 1/2	368	22 1/2	572	18 1/4	464	9	229	5	127	50	1270	12 1/2	318	12	305
6	150	43 1/2	1105	36 1/2	927	5 1/2	140	10	254	18	457	30 1/2	775	24 1/4	616	10 1/4	260	6	152	61 5/8	1565	14	356	10 1/2	267
8	200	52 3/4	1340	45 3/4	1162	9 1/4	235	11	279	21 1/8	537	37	940	28 1/2	724	18 1/2	470	8 3/8	213	77 1/8	1959	17 3/4	451	15 1/8	384
10	250	55 3/4	1416	49 3/4	1264	9 1/4	235	12	305	24 3/4	629	45 5/8	1159	34 3/4	883	18 1/2	470	8 3/8	213	85 3/8	2169	21 1/4	540	15 1/8	384

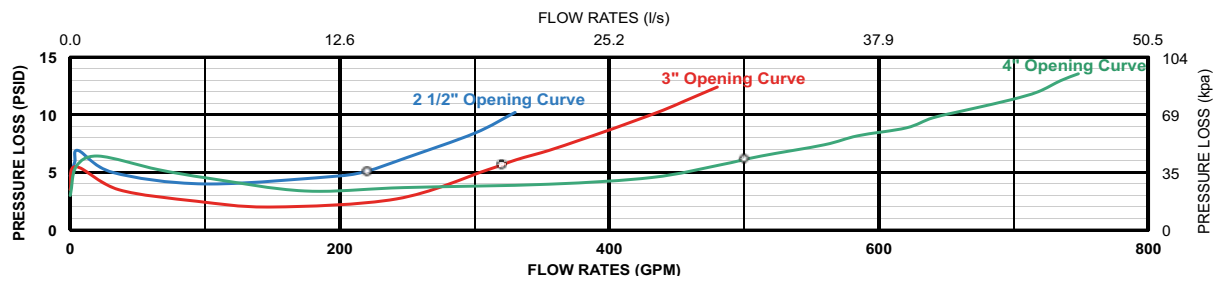
MODEL 350AST 2 1/2", 3" & 4" (STANDARD & METRIC)



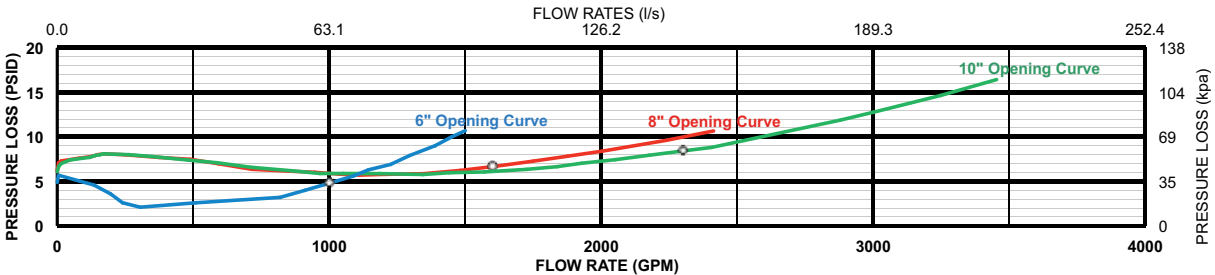
MODEL 350AST 6", 8" & 10" (STANDARDS AND METRIC)



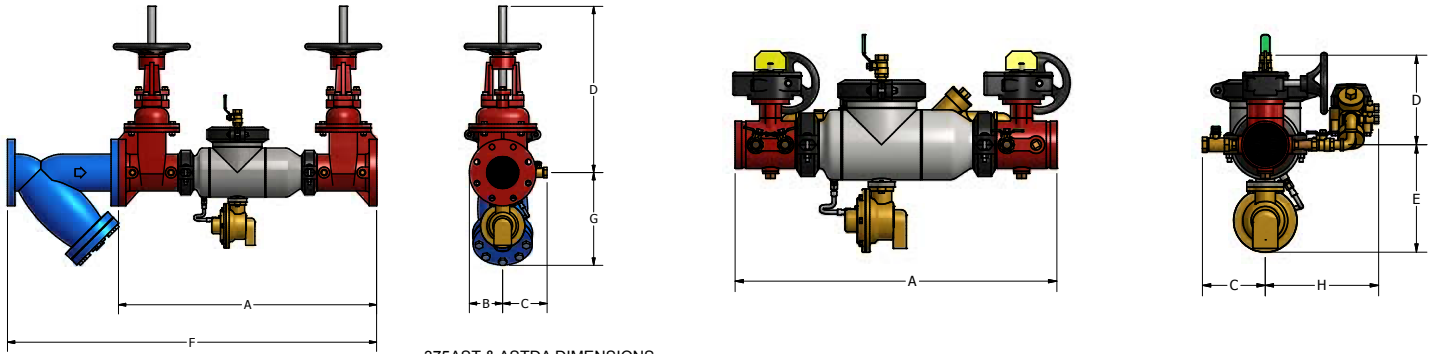
MODEL 350ASTDA 2 1/2", 3" & 4" (STANDARD & METRIC)



MODEL 350ASTDA 6" 8" & 10" (STANDARD AND METRIC)



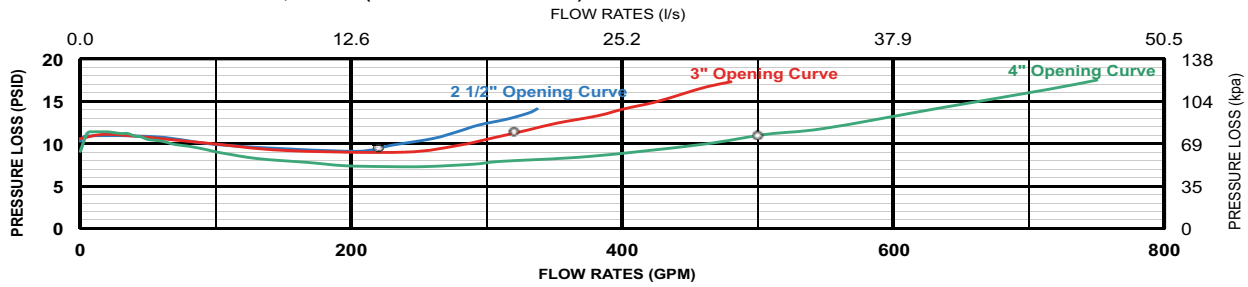
375 Reduced Pressure Assembly (375AST) and 375 Reduced Pressure Detector Assembly (375ASTDA)



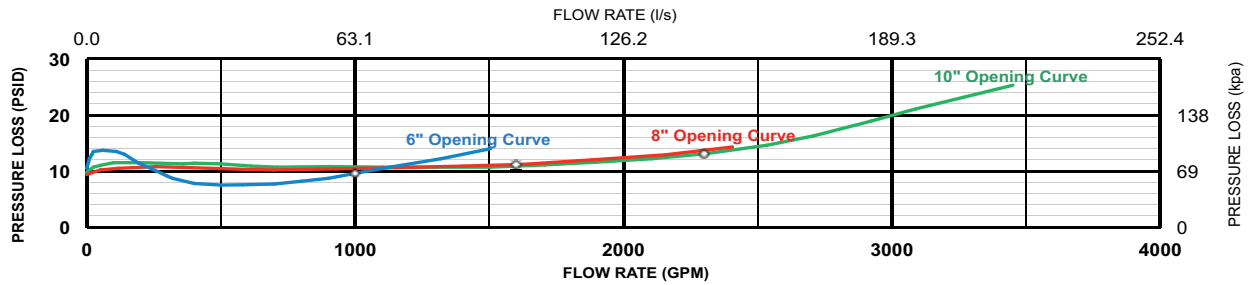
375AST & ASTDA DIMENSIONS

SIZE	DIMENSION (approximate)																								
	A		A WITH BUTTERFLY		B		C		D NRS GATE		D OS&Y OPEN		D OS&Y CLOSED		D WITH BUTTERFLY		E		F		G		H		
	in.	mm	in.	mm	in.	mm	in.	mm	in.	mm	in.	mm	in.	mm	in.	mm	in.	mm	in.	mm	in.	mm	in.	mm	
2 1/2	65	31 7/8	810	28 3/4	730	4 1/2	114	7 1/4	184	11 1/2	292	17 3/4	451	15 3/8	391	8 1/4	210	9 3/4	248	42	1067	8 1/4	210	12	305
3	80	32 7/8	835	29 3/8	746	4 1/2	114	7 1/4	184	12 3/4	324	20 1/4	514	17	432	8 1/4	210	9 3/4	248	43 1/2	1105	9 1/4	235	12	305
4	100	34 7/8	886	30 1/4	768	4 1/2	114	8	203	14 1/2	368	22 1/2	572	18 1/4	464	9	229	9 3/4	248	50	1270	12 1/2	318	12	305
6	150	43 1/2	1105	36 1/2	927	5 1/2	140	10	254	18	457	30 1/2	775	24 1/4	616	10 1/4	260	10 3/4	273	61 5/8	1565	14	356	10 1/2	267
8	200	52 3/4	1340	45 3/4	1162	9 1/4	235	11	279	21 1/8	537	37	940	28 1/2	724	18 1/2	470	15 5/8	397	77 1/8	1959	17 3/4	451	15 1/8	384
10	250	55 3/4	1416	49 3/4	1264	9 1/4	235	12	305	24 3/4	629	45 5/8	1159	34 3/4	883	18 1/2	470	15 5/8	397	85 3/8	2169	21 1/4	540	15 1/8	384

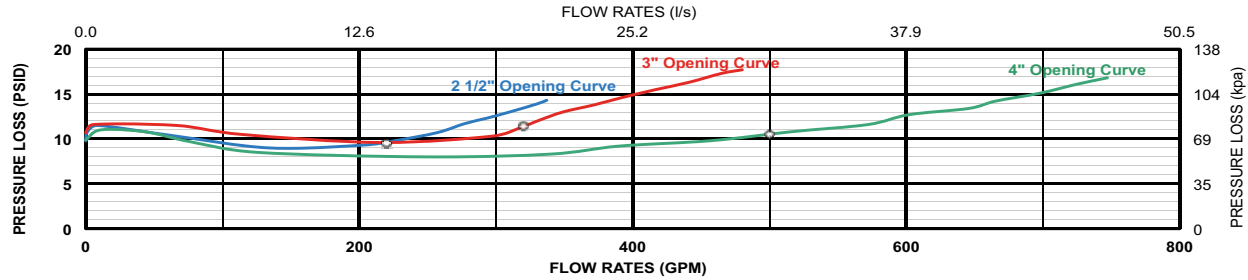
MODEL 375AST 2 1/2", 3" & 4" (STANDARD & METRIC)



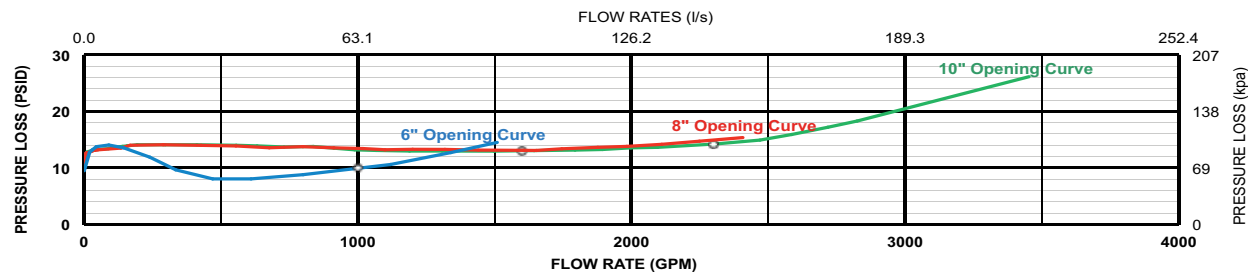
MODEL 375AST 6", 8" & 10" (STANDARD AND METRIC)



MODEL 375ASTDA 2 1/2", 3" & 4" (STANDARD & METRIC)



MODEL 375ASTDA 6", 8" & 10" (STANDARD AND METRIC)



Stainless Steel

The Next Generation of Backflow

Customer Service Representatives are available
Monday through Friday 5:30 a.m. to 5:00 p.m., PT.

Call 855-ONE-ZURN (855-663-9876), email zurn-info@zurn.com
or visit us online at www.zurn.com.



ZURN WILKINS
1747 Commerce Way, Paso Robles, CA 93446
855-ONE-ZURN (855-663-9876)

In Canada:
ZURN INDUSTRIES LIMITED
3544 Nashua Drive, Mississauga, Ontario L4V 1L2, 905-405-8272

1.855.ONE.ZURN
www.zurn.com

Form No. ZMKTG480-02, Rev. 12/15