

# Commercial Drainage

COD0124 Customer Guide



ZURN.COM US 1.855.ONE.ZURN CANADA 1.877.892.5216

Effective January 1, 2024  
Replaces All Previous Price Lists

# INTRODUCTION

<b>UPDATE NOTIFICATION</b>	<b>2</b>
<b>TABLE OF CONTENTS - BY SECTION</b>	<b>2</b>

---

## UPDATE NOTIFICATION

We updated and renamed our Light Commercial Customer Guide (ZMKTG230-01). Please reference the Commercial Drainage Customer Guide (230-001) for the latest product line and information.

## TABLE OF CONTENTS - BY SECTION

### EZ1™

<b>EZ-5</b> 5" TOP ASSEMBLY ADJUSTABLE ON GRADE FLOOR DRAIN WITH EZ1™ TECHNOLOGY	<b>6</b>
<b>EZ-6</b> 6" TOP ASSEMBLY ADJUSTABLE ON GRADE FLOOR DRAIN WITH EZ1™ TECHNOLOGY	<b>7</b>
<b>EZ1™</b> 5" TOP ASSEMBLY ADJUSTABLE FLOOR DRAIN WITH EZ1 TECHNOLOGY	<b>8</b>
<b>EZ1-6</b> 6" TOP ASSEMBLY ADJUSTABLE FLOOR DRAIN WITH DECK PLATE AND EZ1™ TECHNOLOGY	<b>9</b>
<b>EZ2</b> 5" TOP ASSEMBLY ADJUSTABLE FLOOR DRAIN WITH DECK PLATE AND EZ1™ TECHNOLOGY	<b>10</b>
<b>EZC</b> 5" TOP ASSEMBLY ADJUSTABLE FLOOR CLEANOUT WITH EZ1™ TECHNOLOGY	<b>11</b>
<b>EZC-6</b> 6" TOP ASSEMBLY ADJUSTABLE FLOOR CLEANOUT WITH EZ1™ TECHNOLOGY	<b>12</b>
<b>EZC2</b> 5" TOP ASSEMBLY ADJUSTABLE FLOOR CLEANOUT WITH DECK PLATE AND EZ1™ TECHNOLOGY	<b>13</b>
<b>FD2</b> 5" TOP ASSEMBLY ADJUSTABLE FLOOR DRAIN WITH DECK PLATE	<b>14</b>
<b>CO2</b> 5" TOP ASSEMBLY ADJUSTABLE FLOOR CLEANOUT WITH DECK PLATE	<b>15</b>

### FLOOR DRAINS

<b>FD</b> 3" X 4" ADJUSTABLE FLOOR DRAIN	<b>18</b>
<b>FD1</b> ROUND TOPS	<b>19</b>
<b>FD1</b> SQUARE TOPS	<b>20</b>
<b>FD2</b> 5" TOP ASSEMBLY ADJUSTABLE FLOOR DRAIN WITH DECK PLATE	<b>21</b>
<b>FD2210</b> ADJUSTABLE FLOOR DRAIN	<b>21</b>
<b>FD2240</b> WOOD DECK DRAIN CAST IRON NO-HUB CONNECTION	<b>22</b>
<b>FD2283</b> SQUARE TOP DECORATIVE FLOOR DRAIN	<b>22</b>
<b>FD2330</b> HEAVY-DUTY ADJUSTABLE FLOOR DRAIN	<b>22</b>
<b>FD2340</b> MEDIUM-DUTY ADJUSTABLE FLOOR DRAIN	<b>23</b>
<b>FD2350</b> HEAVY-DUTY FLOOR DRAIN	<b>23</b>
<b>FD2360</b> LARGE CAPACITY FLOOR DRAIN	<b>24</b>
<b>FD2200</b> SMALL AREA FLOOR DRAIN PVC OR ABS SOLVENT WELD CONNECTION	<b>24</b>
<b>FD2200-NT</b> SMALL AREA FLOOR DRAIN CAST IRON NO-HUB CONNECTION	<b>25</b>
<b>FD2201</b> GENERAL PURPOSE FLOOR DRAIN 2" X 3" PVC OR ABS CONNECTION	<b>25</b>
<b>FD2202</b> GENERAL PURPOSE FLOOR DRAIN 3" X 4" PVC OR ABS CONNECTION	<b>26</b>
<b>FD2220</b> MEDIUM-DUTY FLOOR DRAIN	<b>26</b>
<b>FD2254</b> SHOWER DRAIN – ROUND	<b>27</b>
<b>FD2254</b> SHOWER DRAIN – SQUARE	<b>28</b>
<b>FD2260</b> SHOWER STALL DRAIN	<b>29</b>

<b>FD2270</b> SOLVENT WELD SHOWER STALL DRAIN	<b>29</b>
<b>FD2275</b> PVC OR ABS NO-CAULK SHOWER STALL DRAIN	<b>30</b>
<b>FD2275</b> BRASS NO-CAULK SHOWER STALL DRAIN	<b>30</b>
<b>FD2380</b> 6" X 6" BELL TRAP DRAIN	<b>31</b>
<b>FD2381</b> 9" X 9" BELL TRAP DRAIN	<b>31</b>
<b>FS8</b> PVC FLOOR SINK	<b>32</b>
<b>FS12</b> PVC FLOOR SINK	<b>32</b>
<b>FD2375</b> 12" X 12" A.R.E. FLOOR SINK – 6" SUMP DEPTH	<b>33</b>
<b>FD2376</b> 12" X 12" A.R.E. FLOOR SINK – 8" SUMP DEPTH	<b>33</b>
<b>FD2377</b> 12" X 12" A.R.E. FLOOR SINK – 10" SUMP DEPTH	<b>34</b>
<b>FD2378</b> 8" X 8" A.R.E. FLOOR SINK – 6" SUMP DEPTH	<b>34</b>
<b>JP2210</b> PVC OR ABS DRAIN ADAPTOR – USED IN FD2208, FD2209, AND FD2210 MODELS	<b>35</b>
<b>JP2211</b> PVC OR ABS 3" X 4" DRAIN ADAPTOR – USED IN FD2211, FD2212, AND FD2213 MODELS	<b>35</b>
<b>JP2321</b> LOW PROFILE CAST IRON DRAIN ADAPTOR WITH CLAMPING COLLAR – USED IN MODELS FD2321	<b>36</b>
<b>JP2322</b> LOW PROFILE CAST IRON DRAIN ADAPTOR – USED IN FD2322 MODELS	<b>36</b>

### CLEANOUTS

<b>CO</b> 3" X 4" ADJUSTABLE FINISHED AREA CLEANOUT	<b>38</b>
<b>CO1</b> ADJUSTABLE FLOOR CLEANOUT	<b>39</b>
<b>CO2</b> 5" TOP ASSEMBLY ADJUSTABLE FLOOR CLEANOUT WITH DECK PLATE	<b>40</b>
<b>CO2450</b> ADJUSTABLE FLOOR CLEANOUT	<b>41</b>
<b>CO2490</b> CLEANOUT PLUG – ABS OR PVC	<b>41</b>
<b>CO2521</b> FINISHED AREA FLOOR ACCESS HOUSING	<b>42</b>
<b>CO2530</b> ROUND ACCESS COVER	<b>42</b>

### ROOF DRAINS

<b>RD2120</b> MAIN AREA ROOF DRAIN – PVC OR ABS	<b>44</b>
<b>RD2130</b> CAST IRON, COMBINATION ROOF DRAIN AND OVERFLOW	<b>44</b>
<b>RD2150</b> REPLACEMENT ROOF DRAIN	<b>45</b>
<b>RD2190</b> UNIVERSAL MEMBRANE CLAMP KIT	<b>45</b>

## TABLE OF CONTENTS - BY SECTION

### HYDRANTS

<b>Z1320-CXL</b> LEAD-FREE ECOLOTROL WALL HYDRANT	<b>48</b>
<b>Z1320-CXL-BFP</b> LEAD-FREE ECOLOTROL WALL HYDRANT	<b>48</b>
<b>Z1321-CXL</b> LEAD-FREE ECOLOTROL WALL HYDRANT	<b>49</b>
<b>Z1330-C</b> MODERATE CLIMATE ECOLOTROL WALL HYDRANT	<b>49</b>
<b>Z1330-C-BFP</b> MODERATE CLIMATE ECOLOTROL WALL HYDRANT	<b>50</b>
<b>Z1333-C</b> MODERATE CLIMATE ECOLOTROL WALL HYDRANT	<b>50</b>
<b>Z1341XL</b> LEAD-FREE WALL FAUCET	<b>51</b>
<b>Z1341</b> WALL FAUCET BOX	<b>51</b>
<b>Z1343</b> LAWN FAUCET	<b>52</b>
<b>Z1344</b> WALL FAUCET	<b>52</b>
<b>Z1345</b> WALL FAUCET	<b>53</b>
<b>Z1346</b> WALL FAUCET	<b>54</b>
<b>Z1348-BFP</b> WALL FAUCET	<b>55</b>
<b>Z1349</b> NARROW WALL HYDRANT	<b>55</b>
<b>Z1361</b> ENCASED GROUND HYDRANT	<b>56</b>
<b>Z1391</b> POST HYDRANT	<b>56</b>
<b>Z1396XL</b> LEAD-FREE YARD HYDRANT	<b>57</b>
<b>Z1399XL-BFP</b> LEAD-FREE BACKFLOW PREVENTER	<b>57</b>
<b>Z1399-HG</b> HYDRANT GUARD	<b>57</b>
<b>Z1399-HGS</b> HYDRANT GUARD STEM	<b>57</b>
<b>Z1399XL-VB</b> VACUUM BREAKER	<b>58</b>
<b>Z1320-CXL/Z1320-CXL-BFP/Z1321-CXL - REPAIR KIT</b>	<b>58</b>
<b>Z1330-C/Z1330-C-BFP/Z1333-C - REPAIR KIT</b>	<b>58</b>
<b>Z1341XL/Z1343</b> REPAIR KIT	<b>59</b>
<b>Z1345</b> REPAIR KIT	<b>59</b>
<b>Z1348</b> REPAIR KIT	<b>59</b>
<b>Z1350</b> REPAIR KIT	<b>60</b>
<b>Z1361</b> REPAIR KIT	<b>60</b>
<b>Z1396XL</b> REPAIR KIT	<b>60</b>

### INTERCEPTORS

<b>GT2700</b> GREASE INTERCEPTOR	<b>62</b>
<b>GT2700-EXT</b> GREASE INTERCEPTOR EXTENSIONS - 6"	<b>62</b>
<b>GT2701</b> LOW PROFILE GREASE INTERCEPTOR	<b>63</b>
<b>GT2702</b> POLYETHYLENE GREASE INTERCEPTOR	<b>64</b>
<b>GT2702-6-EXT</b>	<b>64</b>

### BASINS & SINKS

<b>Z843M1</b> SERVICE SINK FAUCET	<b>66</b>
<b>MS2624</b> COUNTERTOP DROP-IN SINK	<b>66</b>
<b>Z1996</b> MOP SERVICE BASIN	<b>67</b>

### MISCELLANEOUS

<b>TS2900</b> TRAP STANDARD	<b>70</b>
<b>TP2923</b> TRAP SEAL PRIMER	<b>70</b>
<b>BW2930</b> BACKWATER VALVE	<b>70</b>
<b>WH2950-XL</b> LEAD-FREE WATER HAMMER ARRESTOR	<b>71</b>
<b>WM2960</b> WASHING MACHINE VALVE	<b>72</b>
<b>WM2961</b> ENCASED WASHING MACHINE VALVE	<b>72</b>
<b>UF2970</b> HORIZONTAL URINAL FLANGE KIT	<b>73</b>
<b>UF2971</b> SPIGOT FIT URINAL FLANGE KIT	<b>73</b>
<b>UF2972</b> RADIALY ADJUSTABLE URINAL FLANGE KIT	<b>73</b>
<b>CF2987</b> 3" X 4" FLUSH FLOOR CLOSET FLANGE	<b>74</b>
<b>CF2988</b> INSIDE 3" PIPE CLOSET FLANGE	<b>74</b>
<b>CF2989</b> FLUSH FLOOR SPIGOT CLOSET FLANGE	<b>74</b>
<b>CF2990</b> ZURN FLO-BOWL™	<b>75</b>
<b>CF2991</b> ZURN FLO-BOWL™ JR.	<b>76</b>
<b>CD3P</b> SPEEDFLEX AIR GAP	<b>77</b>
<b>CD4P</b> SPEEDFLEX AIR GAP	<b>77</b>

Zurn Commercial Drainage prides itself on offering our customers a wide variety of quality plumbing products and exceptional technical support, through a staff of qualified engineers, knowledgeable inside sales personnel, and the best known sales rep organizations in the industry.

It is our daily goal to provide the most efficient, cost effective plumbing products by giving traditional plumbing distributors the resources to service plumbing and mechanical contractors with labor-saving products, while maintaining superior quality.

At Zurn, our customer is our driver. We focus our efforts on our customers to earn their trust and repeat business. Without this our company would not exist.

# PLASTIC EZ1™ NOMENCLATURE DECODER

## SHIM KIT

Shims built into the rough-in cover for tilt adjustment, screws included.

## ROUGH-IN COVER

Designed to stand up to rigorous jobsites with 3,000 lb load rating.

## PROTECTIVE LABEL

Keeps grate/cover finish intact until the job is complete.

## COVER OPTIONS

- EZ1-R6 = Round 6" Top
- EZ1-S6 = Square 6" Top
- EZ-R6 = Round 6" Top
- EZ-S6 = Square 6" Top
- EZ-ST = Square 5" Top
- EZ2-ST = Square Top

## BODY OPTIONS

- PV = PVC Body Material
- AB = ABS Body Material

## OUTLET SIZES

- 2" = 2"x3" outlet
- 3" = 3"x4" outlet
- 4" = 4" outlet



## A Whole Family of Product

- EZ = Slab on grade adjustable drain
- EZ1 = Floor drain with clamping collar
- EZ2 = Floor drain with deck plate
- FD2 = Floor drain with deck plate and no post-pour adjustment

## Model Number Example

[EZ]-[PV][2]-[R][6]-[SS]

- EZ = Denotes post-pour adjustability
- PV = Outlet material
- 2 = Denotes outlet size

- R = Cover type (round or square)
- 6 = Cover size
- SS = Cover material

*\*Comes standard with 5" nickel bronze cover unless otherwise noted.*

Form No. 230-029-2, 10/17 | Patent [zurn.com/patents](http://zurn.com/patents)

**ZURN.COM** US 1.855.ONE.ZURN CANADA 1.877.892.5216

Learn more at [zurn.com/ez1](http://zurn.com/ez1)

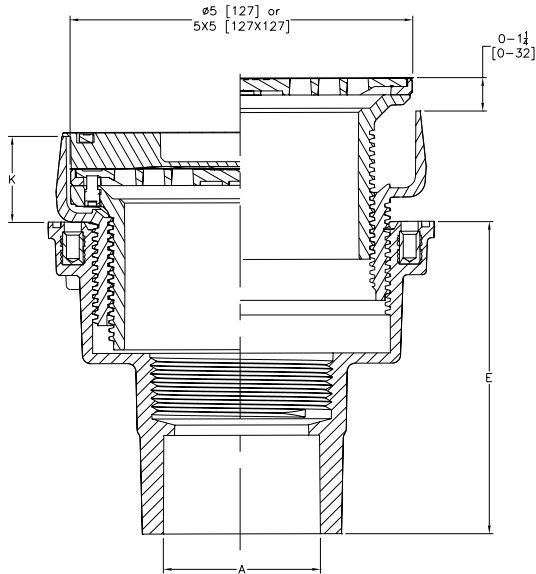
<b>EZ-5</b> 5" TOP ASSEMBLY ADJUSTABLE ON GRADE FLOOR DRAIN WITH EZ1™ TECHNOLOGY	<b>6</b>
<b>EZ-6</b> 6" TOP ASSEMBLY ADJUSTABLE ON GRADE FLOOR DRAIN WITH EZ1™ TECHNOLOGY	<b>7</b>
<b>EZ1™</b> 5" TOP ASSEMBLY ADJUSTABLE FLOOR DRAIN WITH EZ1 TECHNOLOGY	<b>8</b>
<b>EZ1-6</b> 6" TOP ASSEMBLY ADJUSTABLE FLOOR DRAIN WITH DECK PLATE AND EZ1™ TECHNOLOGY	<b>9</b>
<b>EZ2</b> 5" TOP ASSEMBLY ADJUSTABLE FLOOR DRAIN WITH DECK PLATE AND EZ1™ TECHNOLOGY	<b>10</b>
<b>EZC</b> 5" TOP ASSEMBLY ADJUSTABLE FLOOR CLEANOUT WITH EZ1™ TECHNOLOGY	<b>11</b>
<b>EZC-6</b> 6" TOP ASSEMBLY ADJUSTABLE FLOOR CLEANOUT WITH EZ1™ TECHNOLOGY	<b>12</b>
<b>EZC2</b> 5" TOP ASSEMBLY ADJUSTABLE FLOOR CLEANOUT WITH DECK PLATE AND EZ1™ TECHNOLOGY	<b>13</b>
<b>FD2</b> 5" TOP ASSEMBLY ADJUSTABLE FLOOR DRAIN WITH DECK PLATE	<b>14</b>
<b>CO2</b> 5" TOP ASSEMBLY ADJUSTABLE FLOOR CLEANOUT WITH DECK PLATE	<b>15</b>

## EZ-5 5" TOP ASSEMBLY ADJUSTABLE ON GRADE FLOOR DRAIN WITH EZ1™ TECHNOLOGY



- Zurn EZ1 floor and shower drain, PVC or ABS solvent weld body with bottom outlet and 1/2" [13 mm] trap primer connection knock-out plug and top assembly.
- EZ1 drainage series is engineered to simplify product installation, comprised of concrete shield, up to 1" [25 mm] of vertical post pour adjustment, pre-packaged shims for tilt correction and integrated self-contained round nickel bronze light duty strainer with rough-in cover for protection during the concrete pour.

BODY TYPE	MODEL NUMBER	DIM. IN INCHES [MM]				APPROX. WT. LB [KG]	STRAINER OPEN AREA	STRAINER TYPE	LIST PRICE EACH
		A	E	MIN	MAX				
PVC	EZ-PV2	2-3 [51-76]	4-3/4 [121]	1-5/8 [41]	2-23/32 [69]	3 [1]	6-1/4 [40]	Round Nickel Bronze	48.50
	EZ-PV3	3-4 [76-102]	3-3/4 [95]	1-5/8 [41]	2-23/32 [69]	3 [1]	6-1/4 [40]	Round Nickel Bronze	48.50
	EZ-PV4	4 [102]	3-15/16 [100]	1-5/8 [41]	2-23/32 [69]	3 [1]	6-1/4 [40]	Round Nickel Bronze	48.50
	EZ-PV2-ST	2-3 [51-76]	4-3/4 [121]	1-27/32 [47]	2-7/8 [75]	4 [2]	9 [58]	Square Nickel Bronze	62.00
	EZ-PV3-ST	3-4 [76-102]	3-3/4 [95]	1-27/32 [47]	2-7/8 [75]	4 [2]	9 [58]	Square Nickel Bronze	62.00
	EZ-PV4-ST	4 [102]	3-15/16 [100]	1-27/32 [47]	2-7/8 [75]	4 [2]	9 [58]	Square Nickel Bronze	62.00
	EZ-PV2-SS	2-3 [51-76]	4-3/4 [121]	1-5/8 [41]	2-23/32 [69]	3 [1]	6-1/4 [40]	Round Stainless Steel	48.50
	EZ-PV3-SS	3-4 [76-102]	3-3/4 [95]	1-5/8 [41]	2-23/32 [69]	3 [1]	6-1/4 [40]	Round Stainless Steel	48.50
	EZ-PV4-SS	4 [102]	3-15/16 [100]	1-5/8 [41]	2-23/32 [69]	3 [1]	6-1/4 [40]	Round Stainless Steel	48.50
	EZ-PV2-ST-SS	2-3 [51-76]	4-3/4 [121]	1-27/32 [47]	2-7/8 [75]	4 [2]	9 [58]	Square Stainless Steel	62.00
	EZ-PV3-ST-SS	3-4 [76-102]	3-3/4 [95]	1-27/32 [47]	2-7/8 [75]	4 [2]	9 [58]	Square Stainless Steel	62.00
	EZ-PV4-ST-SS	4 [102]	3-15/16 [100]	1-27/32 [47]	2-7/8 [75]	4 [2]	9 [58]	Square Stainless Steel	62.00



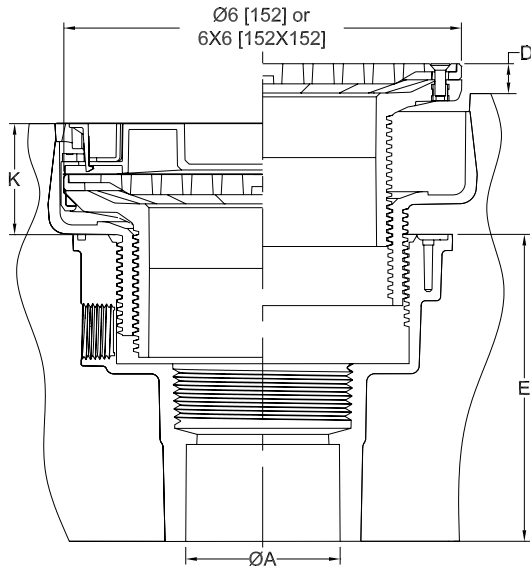
SUFFIX	DESCRIPTION	ADD
-EF	3/4" [19] Extension Frame	66.50
-TSP	Trap Seal Protection Device (Size Matches Drain Outlet Selected, Not Available in 4") (See Z1072)	POA
-U	2"-3-1/4" [51-83] High Extension Adapter	26.00
-UP	1-3/4" [44] Pre-Pour Adjustment Extension Adapter	33.50
-VP	Vandal-Proof Secured Top	6.00
-Y	Sediment Bucket	17.00

## EZ-6 6" TOP ASSEMBLY ADJUSTABLE ON GRADE FLOOR DRAIN WITH EZI™ TECHNOLOGY



- Zurn EZI floor and shower drain, PVC or ABS solvent weld body with bottom outlet and 1/2" [13] trap primer connection knock-out plug and top assembly.
- EZI drainage series is engineered to simplify product installation, comprised of concrete shield, up to 1-13/16" [46] of vertical post pour adjustment, pre-packaged shims for tilt correction and integrated self-contained square or round light duty strainer in nickel bronze or stainless steel with rough-in cover for protection during the concrete pour.

BODY TYPE	MODEL NUMBER	DIM. IN INCHES [MM]						APPROX. WT. LB [KG]	STRAINER OPEN AREA	STRAINER TYPE	LIST PRICE EACH
		A	E	D		K					
				MIN	MAX	MIN	MAX				
PVC	EZ-PV2-R6	2-3 [51-76]	4-3/4 [121]	0	13/16 [21]	1-3/4 [44]	2-13/16 [71]	4 [2]	9 [58]	Round Nickel Bronze	65.00
	EZ-PV3-R6	3-4 [76-102]	3-3/4 [95]	0	13/16 [21]	1-3/4 [44]	2-13/16 [71]	4 [2]	9 [58]	Round Nickel Bronze	65.00
	EZ-PV4-R6	4 [102]	3-15/16 [100]	0	13/16 [21]	1-3/4 [44]	2-13/16 [71]	4 [2]	9 [58]	Round Nickel Bronze	65.00
	EZ-PV2-S6	2-3 [51-76]	4-3/4 [121]	0	3/4 [19]	2 [51]	3-1/32 [77]	5 [2]	13 [84]	Square Nickel Bronze	88.00
	EZ-PV3-S6	3-4 [76-102]	3-3/4 [95]	0	3/4 [19]	2 [51]	3-1/32 [77]	5 [2]	13 [84]	Square Nickel Bronze	88.00
	EZ-PV4-S6	4 [102]	3-15/16 [100]	0	3/4 [19]	2 [51]	3-1/32 [77]	5 [2]	13 [84]	Square Nickel Bronze	88.00
	EZ-PV2-R6-SS	2-3 [51-76]	4-3/4 [121]	0	13/16 [21]	1-3/4 [44]	2-13/16 [71]	4 [2]	9 [58]	Round Stainless Steel	65.00
	EZ-PV3-R6-SS	3-4 [76-102]	3-3/4 [95]	0	13/16 [21]	1-3/4 [44]	2-13/16 [71]	4 [2]	9 [58]	Round Stainless Steel	65.00
	EZ-PV4-R6-SS	4 [102]	3-15/16 [100]	0	13/16 [21]	1-3/4 [44]	2-13/16 [71]	4 [2]	9 [58]	Round Stainless Steel	65.00
	EZ-PV2-S6-SS	2-3 [51-76]	4-3/4 [121]	0	3/4 [19]	2 [51]	3-1/32 [77]	5 [2]	13 [84]	Square Stainless Steel	88.00
	EZ-PV3-S6-SS	3-4 [76-102]	3-3/4 [95]	0	3/4 [19]	2 [51]	3-1/32 [77]	5 [2]	13 [84]	Square Stainless Steel	88.00
	EZ-PV4-S6-SS	4 [102]	3-15/16 [100]	0	3/4 [19]	2 [51]	3-1/32 [77]	5 [2]	13 [84]	Square Stainless Steel	88.00



SUFFIX	DESCRIPTION	ADD
-EF	3/4" [19] Extension Frame	66.50
-TSP	Trap Seal Protection Device (Size Matches Drain Outlet Selected, Not Available in 4") (See Z1072)	POA
-U	2"-3-1/4" [51-83] High Extension Adapter	26.00
-UP	1-3/4" [44] Pre-Pour Adjustment Extension Adapter	33.50
-VP	Vandal-Proof Secured Top	6.00
-Y	Sediment Bucket	18.00

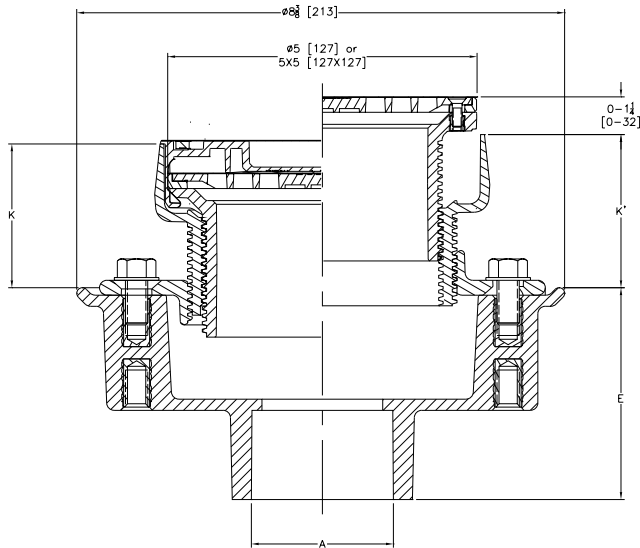


## EZ1™ 5" TOP ASSEMBLY ADJUSTABLE FLOOR DRAIN WITH EZ1 TECHNOLOGY



- Zurn EZ1 floor and shower drain, PVC or ABS solvent weld body with bottom outlet and 1/2" [13 mm] trap primer connection knock-out plug, combination invertible membrane clamp and adjustable collar with seepage slots and top assembly.
- EZ1 drainage series is engineered to simplify product installation, comprised of concrete shield, up to 1" [25 mm] of vertical post pour adjustment, prepackaged shims for tilt correction and integrated self-contained square or round light duty strainer in nickel bronze or stainless steel with rough-in cover for protection during concrete pour.
- **Note:** Minimum K dimension is only possible with -LR option when using square strainer

BODY TYPE	MODEL NUMBER	DIM. IN INCHES [MM]						APPROX. WT. LB [KG]	STRAINER OPEN AREA	STRAINER TYPE	LIST PRICE EACH
		A	E	K		K'					
				MIN	MAX	MIN	MAX				
PVC	EZ1-PV2	2-3 [51-76]	3-9/16 [91]	1-25/32 [45]	2-31/32 [75]	2-9/32 [58]	3-15/32 [88]	5 [2]	6-1/4 [40]	Round Nickel Bronze	63.00
	EZ1-PV3	3-4 [76-102]	3-9/16 [91]	1-25/32 [45]	2-31/32 [75]	2-9/32 [58]	3-15/32 [88]	5 [2]	6-1/4 [40]	Round Nickel Bronze	63.00
	EZ1-PV4	4 [102]	3-13/16 [97]	1-25/32 [45]	2-31/32 [75]	2-9/32 [58]	3-15/32 [88]	5 [2]	6-1/4 [40]	Round Nickel Bronze	63.00
	EZ1-PV2-ST	2-3 [51-76]	3-9/16 [91]	1-31/32 [50]	3-1/8 [79]	2-15/32 [63]	3-5/8 [92]	6 [3]	9 [58]	Square Nickel Bronze	77.00
	EZ1-PV3-ST	3-4 [76-102]	3-9/16 [91]	1-31/32 [50]	3-1/8 [79]	2-15/32 [63]	3-5/8 [92]	6 [3]	9 [58]	Square Nickel Bronze	77.00
	EZ1-PV4-ST	4 [102]	3-13/16 [97]	1-31/32 [50]	3-1/8 [79]	2-15/32 [63]	3-5/8 [92]	6 [3]	9 [58]	Square Nickel Bronze	77.00
	EZ1-PV2-SS	2-3 [51-76]	3-9/16 [91]	1-25/32 [45]	2-31/32 [75]	2-9/32 [58]	3-15/32 [88]	5 [2]	6-1/4 [40]	Round Stainless Steel	63.00
	EZ1-PV3-SS	3-4 [76-102]	3-9/16 [91]	1-25/32 [45]	2-31/32 [75]	2-9/32 [58]	3-15/32 [88]	5 [2]	6-1/4 [40]	Round Stainless Steel	63.00
	EZ1-PV4-SS	4 [102]	3-13/16 [97]	1-25/32 [45]	2-31/32 [75]	2-9/32 [58]	3-15/32 [88]	5 [2]	6-1/4 [40]	Round Stainless Steel	63.00
	EZ1-PV2-ST-SS	2-3 [51-76]	3-9/16 [91]	1-31/32 [50]	3-1/8 [79]	2-15/32 [63]	3-5/8 [92]	6 [3]	9 [58]	Square Stainless Steel	77.00
	EZ1-PV3-ST-SS	3-4 [76-102]	3-9/16 [91]	1-31/32 [50]	3-1/8 [79]	2-15/32 [63]	3-5/8 [92]	6 [3]	9 [58]	Square Stainless Steel	77.00
	EZ1-PV4-ST-SS	4 [102]	3-13/16 [97]	1-31/32 [50]	3-1/8 [79]	2-15/32 [63]	3-5/8 [92]	6 [3]	9 [58]	Square Stainless Steel	77.00
ABS	EZ1-AB2	2-3 [51-76]	3-9/16 [91]	1-25/32 [45]	2-31/32 [75]	2-9/32 [58]	3-15/32 [88]	5 [2]	6-1/4 [40]	Round Nickel Bronze	63.00
	EZ1-AB3	3-4 [76-102]	3-9/16 [91]	1-25/32 [45]	2-31/32 [75]	2-9/32 [58]	3-15/32 [88]	5 [2]	6-1/4 [40]	Round Nickel Bronze	63.00
	EZ1-AB4	4 [102]	3-13/16 [97]	1-25/32 [45]	2-31/32 [75]	2-9/32 [58]	3-15/32 [88]	5 [2]	6-1/4 [40]	Round Nickel Bronze	63.00
	EZ1-AB2-ST	2-3 [51-76]	3-9/16 [91]	1-31/32 [50]	3-1/8 [79]	2-15/32 [63]	3-5/8 [92]	6 [3]	9 [58]	Square Nickel Bronze	77.00
	EZ1-AB3-ST	3-4 [76-102]	3-9/16 [91]	1-31/32 [50]	3-1/8 [79]	2-15/32 [63]	3-5/8 [92]	6 [3]	9 [58]	Square Nickel Bronze	77.00
	EZ1-AB4-ST	4 [102]	3-13/16 [97]	1-31/32 [50]	3-1/8 [79]	2-15/32 [63]	3-5/8 [92]	6 [3]	9 [58]	Square Nickel Bronze	77.00
	EZ1-AB2-SS	2-3 [51-76]	3-9/16 [91]	1-25/32 [45]	2-31/32 [75]	2-9/32 [58]	3-15/32 [88]	5 [2]	6-1/4 [40]	Round Stainless Steel	63.00
	EZ1-AB3-SS	3-4 [76-102]	3-9/16 [91]	1-25/32 [45]	2-31/32 [75]	2-9/32 [58]	3-15/32 [88]	5 [2]	6-1/4 [40]	Round Stainless Steel	63.00
	EZ1-AB4-SS	4 [102]	3-13/16 [97]	1-25/32 [45]	2-31/32 [75]	2-9/32 [58]	3-15/32 [88]	5 [2]	6-1/4 [40]	Round Stainless Steel	63.00
	EZ1-AB2-ST-SS	2-3 [51-76]	3-9/16 [91]	1-31/32 [50]	3-1/8 [79]	2-15/32 [63]	3-5/8 [92]	6 [3]	9 [58]	Square Stainless Steel	77.00
	EZ1-AB3-ST-SS	3-4 [76-102]	3-9/16 [91]	1-31/32 [50]	3-1/8 [79]	2-15/32 [63]	3-5/8 [92]	6 [3]	9 [58]	Square Stainless Steel	77.00
	EZ1-AB4-ST-SS	4 [102]	3-13/16 [97]	1-31/32 [50]	3-1/8 [79]	2-15/32 [63]	3-5/8 [92]	6 [3]	9 [58]	Square Stainless Steel	77.00



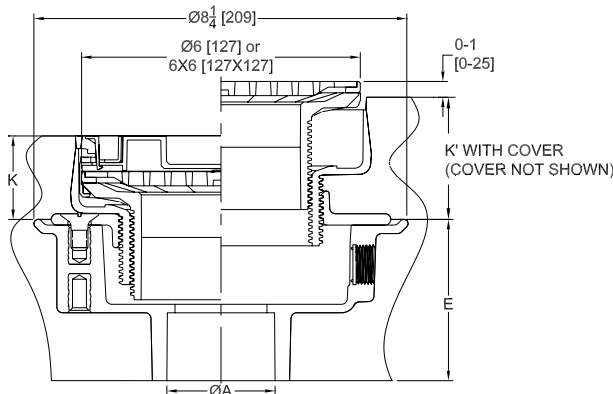
SUFFIX	DESCRIPTION	ADD
-EF	3/4" [19] Extension Frame	66.50
-LR	Low Rough-In (Square Only)	N/C
-SA	Stabilizer Assembly (See Z1035)	39.00
-SQ	Stabilizer Q-Deck (See Z1035-Q)	48.00
-TSP	Trap Seal Protection Device (Size Matches Drain Outlet Selected) (See Z1072)	POA
-U	2"-3-1/4" [51-83] High Extension Adapter	26.00
-UP	1-3/4" [44] Pre-Pour Adjustment Extension Adapter	33.50
-VP	Vandal-Proof Secured Top	6.00
-Y	Sediment Bucket	18.00

# EZ1-6 6" TOP ASSEMBLY ADJUSTABLE FLOOR DRAIN WITH DECK PLATE AND EZ1™ TECHNOLOGY



- Zurn EZ1 floor and shower drain, PVC or ABS solvent weld body with bottom outlet and 1/2" trap primer connection knock-out plug, combination invertible membrane clamp and adjustable collar with seepage slots and top assembly.
- EZ1 drainage series is engineered to simplify product installation, comprised of concrete shield, up to 1" [25] of vertical post pour adjustment, pre-packaged shims for tilt correction and integrated self-contained square or round light duty strainer in nickel bronze or stainless steel with rough-in cover for protection during concrete pour.
- **Note:** Minimum K dimension is only possible with -LR option

BODY TYPE	MODEL NUMBER	DIM. IN INCHES [MM]						APPROX. WT. LB [KG]	STRAINER OPEN AREA	STRAINER TYPE	LIST PRICE EACH
		A	E	K		K'					
				MIN	MAX	MIN	MAX				
PVC	EZ1-PV2-R6	2-3 [51-76]	3-9/16 [90]	1-7/8 [48]	3-1/16 [78]	2-3/8 [60]	3-9/16 [90]	5 [2]	9 [58]	Round Nickel Bronze	80.50
	EZ1-PV3-R6	3-4 [76-102]	3-9/16 [90]	1-7/8 [48]	3-1/16 [78]	2-3/8 [60]	3-9/16 [90]	5 [2]	9 [58]	Round Nickel Bronze	80.50
	EZ1-PV4-R6	4 [102]	3-11/16 [94]	1-7/8 [48]	3-1/16 [78]	2-3/8 [60]	3-9/16 [90]	5 [2]	9 [58]	Round Nickel Bronze	80.50
	EZ1-PV2-S6	2-3 [51-76]	3-9/16 [90]	2-1/8 [54]	3-9/32 [83]	2-5/8 [67]	3-25/32 [96]	6 [3]	13 [84]	Square Nickel Bronze	103.50
	EZ1-PV3-S6	3-4 [76-102]	3-9/16 [90]	2-1/8 [54]	3-9/32 [83]	2-5/8 [67]	3-25/32 [96]	6 [3]	13 [84]	Square Nickel Bronze	103.50
	EZ1-PV4-S6	4 [102]	3-11/16 [94]	2-1/8 [54]	3-9/32 [83]	2-5/8 [67]	3-25/32 [96]	6 [3]	13 [84]	Square Nickel Bronze	103.50
	EZ1-PV2-R6-SS	2-3 [51-76]	3-9/16 [90]	1-7/8 [48]	3-1/16 [78]	2-3/8 [60]	3-9/16 [90]	5 [2]	10 [65]	Round Stainless Steel	80.50
	EZ1-PV3-R6-SS	3-4 [76-102]	3-9/16 [90]	1-7/8 [48]	3-1/16 [78]	2-3/8 [60]	3-9/16 [90]	5 [2]	10 [65]	Round Stainless Steel	80.50
	EZ1-PV4-R6-SS	4 [102]	3-11/16 [94]	1-7/8 [48]	3-1/16 [78]	2-3/8 [60]	3-9/16 [90]	5 [2]	10 [65]	Round Stainless Steel	80.50
	EZ1-PV2-S6-SS	2-3 [51-76]	3-9/16 [90]	2-1/8 [54]	3-9/32 [83]	2-5/8 [67]	3-25/32 [96]	6 [3]	13 [84]	Square Stainless Steel	103.50
	EZ1-PV3-S6-SS	3-4 [76-102]	3-9/16 [90]	2-1/8 [54]	3-9/32 [83]	2-5/8 [67]	3-25/32 [96]	6 [3]	13 [84]	Square Stainless Steel	103.50
	EZ1-PV4-S6-SS	4 [102]	3-11/16 [94]	2-1/8 [54]	3-9/32 [83]	2-5/8 [67]	3-25/32 [96]	6 [3]	13 [84]	Square Stainless Steel	103.50
ABS	EZ1-AB2-R6	2-3 [51-76]	3-9/16 [90]	1-7/8 [48]	3-1/16 [78]	2-3/8 [60]	3-9/16 [90]	5 [2]	9 [58]	Round Nickel Bronze	80.50
	EZ1-AB3-R6	3-4 [76-102]	3-9/16 [90]	1-7/8 [48]	3-1/16 [78]	2-3/8 [60]	3-9/16 [90]	5 [2]	9 [58]	Round Nickel Bronze	80.50
	EZ1-AB4-R6	4 [102]	3-11/16 [94]	1-7/8 [48]	3-1/16 [78]	2-3/8 [60]	3-9/16 [90]	5 [2]	9 [58]	Round Nickel Bronze	80.50
	EZ1-AB2-S6	2-3 [51-76]	3-9/16 [90]	2-1/8 [54]	3-9/32 [83]	2-5/8 [67]	3-25/32 [96]	6 [3]	13 [84]	Square Nickel Bronze	103.50
	EZ1-AB3-S6	3-4 [76-102]	3-9/16 [90]	2-1/8 [54]	3-9/32 [83]	2-5/8 [67]	3-25/32 [96]	6 [3]	13 [84]	Square Nickel Bronze	103.50
	EZ1-AB4-S6	4 [102]	3-11/16 [94]	2-1/8 [54]	3-9/32 [83]	2-5/8 [67]	3-25/32 [96]	6 [3]	13 [84]	Square Nickel Bronze	103.50
	EZ1-AB2-R6-SS	2-3 [51-76]	3-9/16 [90]	1-5/8 [41]	3-1/16 [78]	2-3/8 [60]	3-9/16 [90]	5 [2]	10 [65]	Round Stainless Steel	80.50
	EZ1-AB3-R6-SS	3-4 [76-102]	3-9/16 [90]	1-5/8 [41]	3-1/16 [78]	2-3/8 [60]	3-9/16 [90]	5 [2]	10 [65]	Round Stainless Steel	80.50
	EZ1-AB4-R6-SS	4 [102]	3-11/16 [94]	1-5/8 [41]	3-1/16 [78]	2-3/8 [60]	3-9/16 [90]	5 [2]	10 [65]	Round Stainless Steel	80.50
	EZ1-AB2-S6-SS	2-3 [51-76]	3-9/16 [90]	1-13/16 [46]	3-9/32 [83]	2-5/8 [67]	3-25/32 [96]	6 [3]	13 [84]	Square Stainless Steel	103.50
	EZ1-AB3-S6-SS	3-4 [76-102]	3-9/16 [90]	1-13/16 [46]	3-9/32 [83]	2-5/8 [67]	3-25/32 [96]	6 [3]	13 [84]	Square Stainless Steel	103.50
	EZ1-AB4-S6-SS	4 [102]	3-11/16 [94]	1-13/16 [46]	3-9/32 [83]	2-5/8 [67]	3-25/32 [96]	6 [3]	13 [84]	Square Stainless Steel	103.50



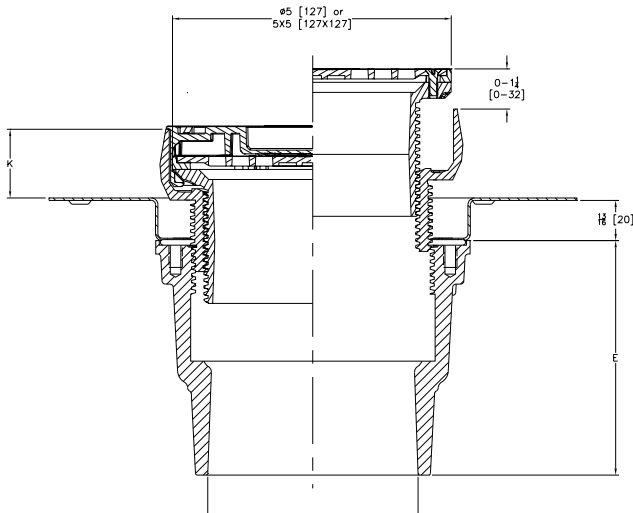
SUFFIX	DESCRIPTION	ADD
-EF	3/4" [19] Extension Frame	66.50
-LR	Low Rough-In	N/C
-SA	Stabilizer Assembly (See Z1035)	39.00
-SQ	Stabilizer Q-Deck (See Z1035-Q)	48.00
-TSP	Trap Seal Protection Device (Size Matches Drain Outlet Selected) (See Z1072)	POA
-U	2"-3-1/4" [51-83] High Extension Adapter	26.00
-UP	1-3/4" [44] Pre-Pour Adjustment Extension Adapter	33.50
-VP	Vandal-Proof Secured Top	6.00
-Y	Sediment Bucket	18.00

## EZ2 5" TOP ASSEMBLY ADJUSTABLE FLOOR DRAIN WITH DECK PLATE AND EZ1™ TECHNOLOGY



- Zurn EZ1 floor and shower drain, PVC or ABS solvent weld body with bottom outlet and 1/2" [13 mm] trap primer connection knock-out plug, deck plate, and top assembly.
- EZ1 drainage series is engineered to simplify product installation, comprised of concrete shield, up to 1" [25 mm] of vertical post pour adjustment, pre-packaged shims for tilt correction and integrated self-contained square or round light duty strainer in nickel bronze or stainless steel with rough-in cover for protection during the concrete pour.

BODY TYPE	MODEL NUMBER	DIM. IN INCHES [MM]				APPROX. WT. LB [KG]	STRAINER OPEN AREA	STRAINER TYPE	LIST PRICE EACH
		A	E	K					
				MIN	MAX				
PVC	<b>EZ2-PV2</b>	2-3 [51-76]	4-3/4 [121]	7/8 [22]	1-13/16 [46]	5 [2]	6-1/4 [40]	Round Nickel Bronze	<b>69.50</b>
	<b>EZ2-PV3</b>	3-4 [76-102]	3-3/4 [95]	7/8 [22]	1-13/16 [46]	5 [2]	6-1/4 [40]	Round Nickel Bronze	<b>69.50</b>
	<b>EZ2-PV4</b>	4 [102]	3-15/16 [100]	7/8 [22]	1-13/16 [46]	5 [2]	6-1/4 [40]	Round Nickel Bronze	<b>69.50</b>
	<b>EZ2-PV2-ST</b>	2-3 [51-76]	4-3/4 [121]	1-27/32 [47]	1-31/32 [50]	6 [3]	9 [58]	Square Nickel Bronze	<b>83.00</b>
	<b>EZ2-PV3-ST</b>	3-4 [76-102]	3-3/4 [95]	1-27/32 [47]	1-31/32 [50]	6 [3]	9 [58]	Square Nickel Bronze	<b>83.00</b>
	<b>EZ2-PV4-ST</b>	4 [102]	3-15/16 [100]	1-27/32 [47]	1-31/32 [50]	5 [2]	9 [58]	Square Nickel Bronze	<b>83.00</b>
	<b>EZ2-PV2-SS</b>	2-3 [51-76]	4-3/4 [121]	7/8 [22]	1-13/16 [46]	5 [2]	6-1/4 [40]	Round Stainless Steel	<b>69.50</b>
	<b>EZ2-PV3-SS</b>	3-4 [76-102]	3-3/4 [95]	7/8 [22]	1-13/16 [46]	5 [2]	6-1/4 [40]	Round Stainless Steel	<b>69.50</b>
	<b>EZ2-PV4-SS</b>	4 [102]	3-15/16 [100]	7/8 [22]	1-13/16 [46]	5 [2]	6-1/4 [40]	Round Stainless Steel	<b>69.50</b>
	<b>EZ2-PV2-ST-SS</b>	2-3 [51-76]	4-3/4 [121]	1-27/32 [47]	1-31/32 [50]	6 [3]	9 [58]	Square Stainless Steel	<b>83.00</b>
	<b>EZ2-PV3-ST-SS</b>	3-4 [76-102]	3-3/4 [95]	1-27/32 [47]	1-31/32 [50]	6 [3]	9 [58]	Square Stainless Steel	<b>83.00</b>
	<b>EZ2-PV4-ST-SS</b>	4 [102]	3-15/16 [100]	1-27/32 [47]	1-31/32 [50]	7 [3]	9 [58]	Square Stainless Steel	<b>83.00</b>



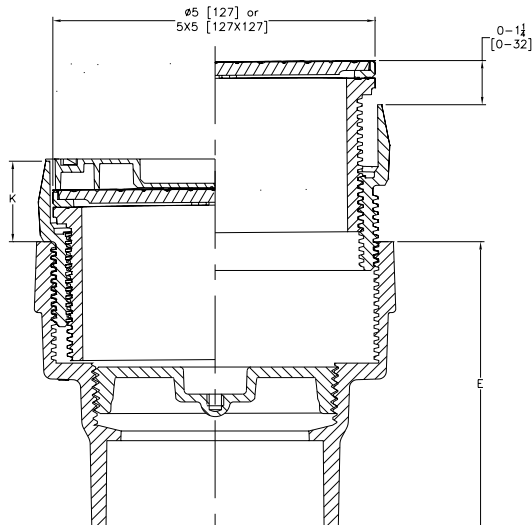
SUFFIX	DESCRIPTION	ADD
<b>-CC</b>	Stainless Steel Clamp Collar	<b>17.00</b>
<b>-EF</b>	3/4" [19] Extension Frame	<b>66.50</b>
<b>-TSP</b>	Trap Seal Protection Device (Size Matches Drain Outlet Selected, Not Available in 4") (See Z1072)	<b>POA</b>
<b>-U</b>	2"-3-1/4" [51-83] High Extension Adapter	<b>26.00</b>
<b>-UP</b>	1-3/4" [44] Pre-Pour Adjustment Extension Adapter	<b>33.50</b>
<b>-VP</b>	Vandal-Proof Secured Top	<b>6.00</b>
<b>-Y</b>	Sediment Bucket	<b>18.00</b>

## EZC 5" TOP ASSEMBLY ADJUSTABLE FLOOR CLEANOUT WITH EZ1™ TECHNOLOGY



- Zurn EZ1 Floor Cleanout, PVC or ABS solvent weld body, with gas and water tight ABS threaded tapered plug and top assembly.
- EZ1 cleanout series is engineered to simplify product installation, comprised of concrete shield, up to 1" [25 mm] of vertical post pour adjustment, pre-packaged shims for tilt correction, and integrated self contained square or round light duty scoriated cover in nickel bronze or stainless steel with rough-in cover for protection during the concrete pour.
- Cleanout is designed in accordance with ASME A112.36.2M.

BODY TYPE	MODEL NUMBER	DIM. IN INCHES [MM]				APPROX. WT. LB [KG]	STRAINER TYPE	LIST PRICE EACH
		A	E	K				
PVC	EZC-PV2	2-3 [51-76]	4-3/4 [121]	1-5/8 [41]	2-23/32 [69]	4 [2]	Round Nickel Bronze	78.50
	EZC-PV3	3-4 [76-102]	4-3/4 [121]	1-3/4 [44]	2-23/32 [69]	4 [2]	Round Nickel Bronze	78.50
	EZC-PV4	4 [102]	4-3/4 [121]	1-3/4 [44]	2-23/32 [69]	4 [2]	Round Nickel Bronze	78.50
	EZC-PV2-ST	2-3 [51-76]	4-3/4 [121]	1-27/32 [46]	2-7/8 [73]	5 [2]	Square Nickel Bronze	89.50
	EZC-PV3-ST	3-4 [76-102]	4-3/4 [121]	1-27/32 [46]	2-7/8 [73]	5 [2]	Square Nickel Bronze	89.50
	EZC-PV4-ST	4 [102]	4-3/4 [121]	1-27/32 [46]	2-7/8 [73]	5 [2]	Square Nickel Bronze	89.50
	EZC-PV2-SS	2-3 [51-76]	4-3/4 [121]	1-5/8 [41]	2-23/32 [69]	4 [2]	Round Stainless Steel	78.50
	EZC-PV3-SS	3-4 [76-102]	4-3/4 [121]	1-3/4 [44]	2-23/32 [69]	4 [2]	Round Stainless Steel	78.50
	EZC-PV4-SS	4 [102]	4-3/4 [121]	1-3/4 [44]	2-23/32 [69]	4 [2]	Round Stainless Steel	78.50
	EZC-PV2-ST-SS	2-3 [51-76]	4-3/4 [121]	1-27/32 [46]	2-7/8 [73]	5 [2]	Square Stainless Steel	89.50
	EZC-PV3-ST-SS	3-4 [76-102]	4-3/4 [121]	1-27/32 [46]	2-7/8 [73]	5 [2]	Square Stainless Steel	89.50
	EZC-PV4-ST-SS	4 [102]	4-3/4 [121]	1-27/32 [46]	2-7/8 [73]	5 [2]	Square Stainless Steel	89.50

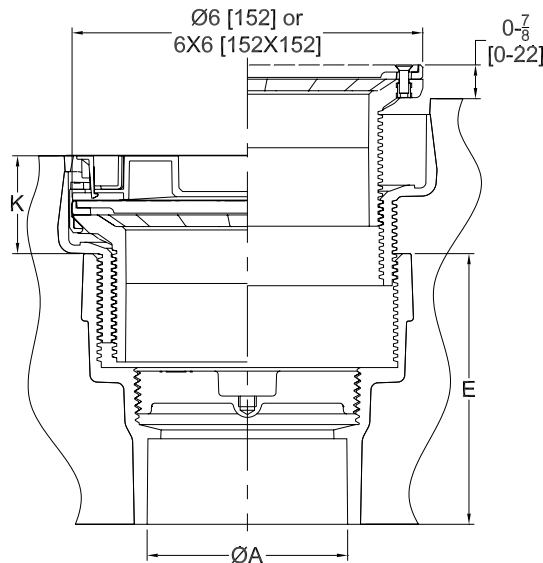


## EZC-6 6" TOP ASSEMBLY ADJUSTABLE FLOOR CLEANOUT WITH EZ1™ TECHNOLOGY



- Zurn EZ1 Floor Cleanout, PVC or ABS solvent weld body, with gas and water tight ABS threaded tapered plug and top assembly.
- EZ1 cleanout series is engineered to simplify product installation, comprised of concrete shield, up to 7/8" [22] of vertical post pour adjustment, pre-packaged shims for tilt correction, and integrated self contained square or round light duty scoriated cover in nickel bronze or stainless steel with rough-in cover for protection during the concrete pour.
- Cleanout is designed in accordance with ASME A112.36.2M.

BODY TYPE	MODEL NUMBER	DIM. IN INCHES [MM]				APPROX. WT. LB [KG]	STRAINER TYPE	LIST PRICE EACH
		A	E	K				
				MIN	MAX			
PVC	EZC-PV3-R6	3-4 [76-102]	4-3/4 [121]	1-15/32 [37]	2-19/32 [66]	6 [3]	Round Nickel Bronze	80.50
	EZC-PV4-R6	4 [102]	4-3/4 [121]	1-15/32 [37]	2-19/32 [66]	6 [3]	Round Nickel Bronze	80.50
	EZC-PV3-S6	3-4 [76-102]	4-3/4 [121]	1-11/16 [43]	2-23/32 [69]	7 [3]	Square Nickel Bronze	99.00
	EZC-PV4-S6	4 [102]	4-3/4 [121]	1-11/16 [43]	2-23/32 [69]	7 [3]	Square Nickel Bronze	99.00
	EZC-PV3-R6-SS	3-4 [76-102]	4-3/4 [121]	1-15/32 [37]	2-19/32 [66]	6 [3]	Round Stainless Steel	80.50
	EZC-PV4-R6-SS	4 [102]	4-3/4 [121]	1-15/32 [37]	2-19/32 [66]	6 [3]	Round Stainless Steel	80.50
	EZC-PV3-S6-SS	3-4 [76-102]	4-3/4 [121]	1-11/16 [43]	2-23/32 [69]	7 [3]	Square Stainless Steel	99.00
	EZC-PV4-S6-SS	4 [102]	4-3/4 [121]	1-11/16 [43]	2-23/32 [69]	7 [3]	Square Stainless Steel	99.00
ABS	EZC-AB3-R6	3-4 [76-102]	4-3/4 [121]	1-15/32 [37]	2-19/32 [66]	6 [3]	Round Nickel Bronze	80.50
	EZC-AB4-R6	4 [102]	4-3/4 [121]	1-15/32 [37]	2-19/32 [66]	6 [3]	Round Nickel Bronze	80.50
	EZC-AB3-S6	3-4 [76-102]	4-3/4 [121]	1-11/16 [43]	2-23/32 [69]	7 [3]	Square Nickel Bronze	99.00
	EZC-AB4-S6	4 [102]	4-3/4 [121]	1-11/16 [43]	2-23/32 [69]	7 [3]	Square Nickel Bronze	99.00
	EZC-AB3-R6-SS	3-4 [76-102]	4-3/4 [121]	1-15/32 [37]	2-19/32 [66]	6 [3]	Round Stainless Steel	80.50
	EZC-AB4-R6-SS	4 [102]	4-3/4 [121]	1-15/32 [37]	2-19/32 [66]	6 [3]	Round Stainless Steel	80.50
	EZC-AB3-S6-SS	3-4 [76-102]	4-3/4 [121]	1-11/16 [43]	2-23/32 [69]	7 [3]	Square Stainless Steel	99.00
	EZC-AB4-S6-SS	4 [102]	4-3/4 [121]	1-11/16 [43]	2-23/32 [69]	7 [3]	Square Stainless Steel	99.00

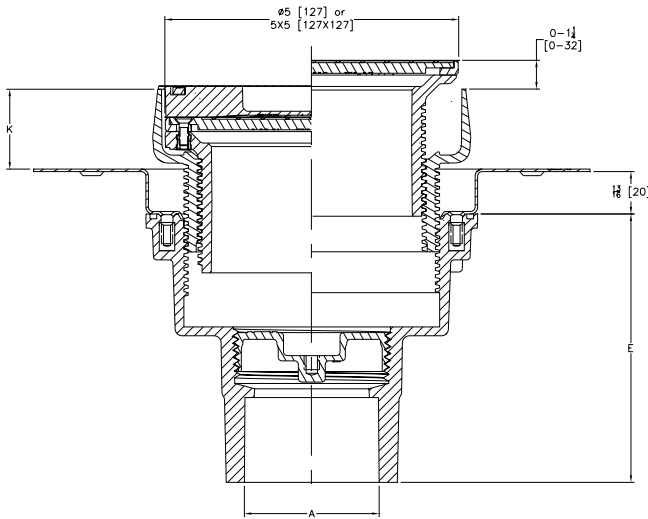


## EZC2 5" TOP ASSEMBLY ADJUSTABLE FLOOR CLEANOUT WITH DECK PLATE AND EZI™ TECHNOLOGY



- Zurn EZI Floor Cleanout, PVC or ABS solvent weld body, with gas and water tight cleanout plug, stainless steel deck plate and top assembly.
- EZI cleanout series is engineered to simplify product installation, comprised of concrete shield, up to 1" [25 mm] of vertical post pour adjustment, pre-packaged shims for tilt correction, and integrated self contained square or round light duty scoriated cover in nickel bronze or stainless steel with rough-in cover for protection during the concrete pour.
- Cleanout is designed in accordance with ASME A112.36.2M.

BODY TYPE	MODEL NUMBER	DIM. IN INCHES [MM]				APPROX. WT. LB [KG]	STRAINER TYPE	LIST PRICE EACH
		A	E	K				
PVC	EZC2-PV2	2-3 [51-76]	4-3/4 [121]	7/8 [22]	1-13/16 [46]	6 [3]	Round Nickel Bronze	113.50
	EZC2-PV3	3-4 [76-102]	3-3/4 [95]	7/8 [22]	1-13/16 [46]	6 [3]	Round Nickel Bronze	113.50
	EZC2-PV2-ST	2-3 [51-76]	4-3/4 [121]	1-27/32 [47]	1-31/32 [50]	7 [3]	Square Nickel Bronze	145.00
	EZC2-PV3-ST	3-4 [76-102]	3-3/4 [95]	1-27/32 [47]	1-31/32 [50]	7 [3]	Square Nickel Bronze	145.00
	EZC2-PV2-SS	2-3 [51-76]	4-3/4 [121]	7/8 [22]	1-13/16 [46]	6 [3]	Round Stainless Steel	113.50
	EZC2-PV3-SS	3-4 [76-102]	3-3/4 [95]	7/8 [22]	1-13/16 [46]	6 [3]	Round Stainless Steel	113.50
	EZC2-PV2-ST-SS	2-3 [51-76]	4-3/4 [121]	1-27/32 [47]	1-31/32 [50]	7 [3]	Square Stainless Steel	145.00
	EZC2-PV3-ST-SS	3-4 [76-102]	3-3/4 [95]	1-27/32 [47]	1-31/32 [50]	7 [3]	Square Stainless Steel	145.00



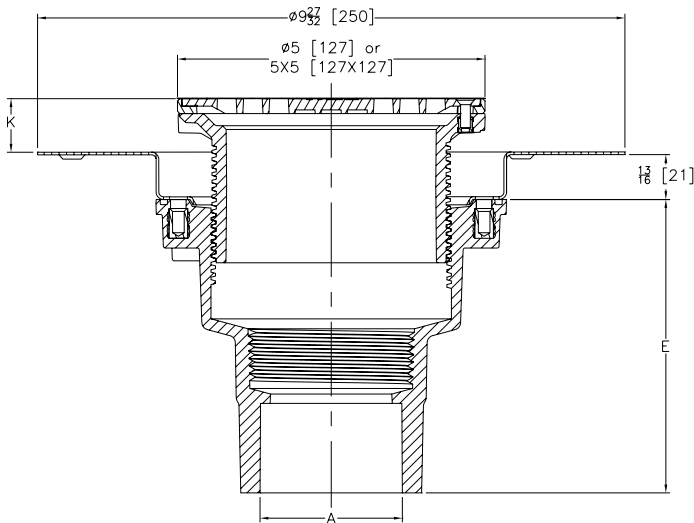
SUFFIX	DESCRIPTION	ADD
-CC	Stainless Steel Clamp Collar	17.00

## FD2 5" TOP ASSEMBLY ADJUSTABLE FLOOR DRAIN WITH DECK PLATE



- Zurn FD2 floor and shower drain, PVC or ABS solvent weld body with bottom outlet and 1/2" [13] trap primer connection knock-out plug, stainless steel deck plate, and top assembly.
- FD2 drainage series is available with a square or round light duty strainer in nickel bronze or stainless steel.

BODY TYPE	MODEL NUMBER	DIM. IN INCHES [MM]				APPROX. WT. LB [KG]	STRAINER TYPE	LIST PRICE EACH
		A	E	K				
				MIN	MAX			
PVC	FD2-PV2	2-3 [51-76]	4-15/16 [125]	0	1-7/16 [37]	5 [2]	Round Nickel Bronze	51.00
	FD2-PV3	3-4 [76-102]	3-25/32 [96]	0	1-7/16 [37]	5 [2]	Round Nickel Bronze	51.00
	FD2-PV2-ST	2-3 [51-76]	4-15/16 [125]	7/16 [11]	1-11/16 [43]	6 [3]	Square Nickel Bronze	64.50
	FD2-PV3-ST	3-4 [76-102]	3-25/32 [96]	7/16 [11]	1-11/16 [43]	6 [3]	Square Nickel Bronze	64.50
	FD2-PV2-SS	2-3 [51-76]	4-15/16 [125]	0	1-7/16 [37]	5 [2]	Round Stainless Steel	51.00
	FD2-PV3-SS	3-4 [76-102]	3-25/32 [96]	0	1-7/16 [37]	5 [2]	Round Stainless Steel	51.00
	FD2-PV2-ST-SS	2-3 [51-76]	4-15/16 [125]	7/16 [11]	1-11/16 [43]	6 [3]	Square Stainless Steel	64.50
	FD2-PV3-ST-SS	3-4 [76-102]	3-25/32 [96]	7/16 [11]	1-11/16 [43]	6 [3]	Square Stainless Steel	64.50
ABS	FD2-AB2	2-3 [51-76]	4-15/16 [125]	0	1-7/16 [37]	5 [2]	Round Nickel Bronze	51.00
	FD2-AB3	3-4 [76-102]	3-25/32 [96]	0	1-7/16 [37]	5 [2]	Round Nickel Bronze	51.00
	FD2-AB2-ST	2-3 [51-76]	4-15/16 [125]	7/16 [11]	1-11/16 [43]	6 [3]	Square Nickel Bronze	64.50
	FD2-AB3-ST	3-4 [76-102]	3-25/32 [96]	7/16 [11]	1-11/16 [43]	6 [3]	Square Nickel Bronze	64.50
	FD2-AB2-SS	2-3 [51-76]	4-15/16 [125]	0	1-7/16 [37]	5 [2]	Round Stainless Steel	51.00
	FD2-AB3-SS	3-4 [76-102]	3-25/32 [96]	0	1-7/16 [37]	5 [2]	Round Stainless Steel	51.00
	FD2-AB2-ST-SS	2-3 [51-76]	4-15/16 [125]	7/16 [11]	1-11/16 [43]	6 [3]	Square Stainless Steel	64.50
	FD2-AB3-ST-SS	3-4 [76-102]	3-25/32 [96]	7/16 [11]	1-11/16 [43]	6 [3]	Square Stainless Steel	64.50



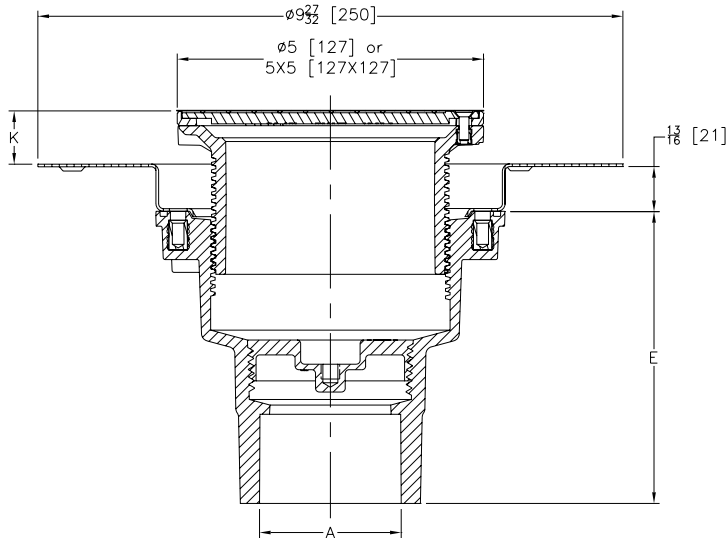
SUFFIX	DESCRIPTION	ADD
-CC	Stainless Steel Clamp Collar	17.00
-EF	3/4" [19] Extension Frame	66.50
-FI	Floor Insert (For Round Top Assembly Only)	22.50
-TSP	Trap Seal Protection Device (Size Matches Drain Outlet Selected) (See Z1072)	POA
-U	2"-3-1/4" [51-83] High Extension Adapter	26.00
-VP	Vandal-Proof Secured Top	6.00
-Y	Sediment Bucket	18.00

## CO2 5" TOP ASSEMBLY ADJUSTABLE FLOOR CLEANOUT WITH DECK PLATE



- Zurn CO2 Floor Cleanout PVC or ABS solvent weld body with gas and watertight cleanout plug, stainless steel deckplate, and top assembly.
- CO2 cleanout series is available with a square or round light duty cover in nickel bronze or stainless steel.
- Cleanout is designed in accordance with ASME A112.36.2M.

BODY TYPE	MODEL NUMBER	DIM. IN INCHES [MM]				APPROX. WT. LB [KG]	STRAINER TYPE	LIST PRICE EACH
		A	E	K				
				MIN	MAX			
PVC	C02-PV2	2-3 [51-76]	4-15/16 [125]	0	1-7/16 [37]	5 [2]	Round Nickel Bronze	64.50
	C02-PV3	3-4 [76-102]	3-25/32 [96]	0	1-7/16 [37]	5 [2]	Round Nickel Bronze	64.50
	C02-PV2-ST	2-3 [51-76]	4-15/16 [125]	7/16 [11]	1-11/16 [43]	6 [3]	Square Nickel Bronze	98.00
	C02-PV3-ST	3-4 [76-102]	3-25/32 [96]	7/16 [11]	1-11/16 [43]	6 [3]	Square Nickel Bronze	98.00
	C02-PV2-SS	2-3 [51-76]	4-15/16 [125]	0	1-7/16 [37]	5 [2]	Round Stainless Steel	64.50
	C02-PV3-SS	3-4 [76-102]	3-25/32 [96]	0	1-7/16 [37]	5 [2]	Round Stainless Steel	64.50
	C02-PV2-ST-SS	2-3 [51-76]	4-15/16 [125]	7/16 [11]	1-11/16 [43]	6 [3]	Square Stainless Steel	98.00
	C02-PV3-ST-SS	3-4 [76-102]	3-25/32 [96]	7/16 [11]	1-11/16 [43]	6 [3]	Square Stainless Steel	98.00
ABS	C02-AB2	2-3 [51-76]	4-15/16 [125]	0	1-7/16 [37]	5 [2]	Round Nickel Bronze	64.50
	C02-AB3	3-4 [76-102]	3-25/32 [96]	0	1-7/16 [37]	5 [2]	Round Nickel Bronze	64.50
	C02-AB2-ST	2-3 [51-76]	4-15/16 [125]	7/16 [11]	1-11/16 [43]	6 [3]	Square Nickel Bronze	98.00
	C02-AB3-ST	3-4 [76-102]	3-25/32 [96]	7/16 [11]	1-11/16 [43]	6 [3]	Square Nickel Bronze	98.00
	C02-AB2-SS	2-3 [51-76]	4-15/16 [125]	0	1-7/16 [37]	5 [2]	Round Stainless Steel	64.50
	C02-AB3-SS	3-4 [76-102]	3-25/32 [96]	0	1-7/16 [37]	5 [2]	Round Stainless Steel	64.50
	C02-AB2-ST-SS	2-3 [51-76]	4-15/16 [125]	7/16 [11]	1-11/16 [43]	6 [3]	Square Stainless Steel	98.00
	C02-AB3-ST-SS	3-4 [76-102]	3-25/32 [96]	7/16 [11]	1-11/16 [43]	6 [3]	Square Stainless Steel	98.00



SUFFIX	DESCRIPTION	ADD
-CC	Stainless Steel Clamp Collar	17.00
-FI	Floor Insert (For Round Top Assembly Only)	22.50



# NOTES

EZ™

FLOOR DRAINS

CLEANOUTS

ROOF DRAINS

HYDRANTS

INTERCEPTORS

BASINS & SINKS

MISCELLANEOUS

# FLOOR DRAINS

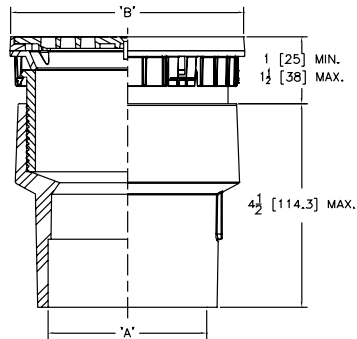
<b>FD</b> 3" X 4" ADJUSTABLE FLOOR DRAIN	<b>18</b>	<b>FD2260</b> SHOWER STALL DRAIN	<b>29</b>
<b>FD1</b> ROUND TOPS	<b>19</b>	<b>FD2270</b> SOLVENT WELD SHOWER STALL DRAIN	<b>29</b>
<b>FD1</b> SQUARE TOPS	<b>20</b>	<b>FD2275</b> PVC OR ABS NO-CAULK SHOWER STALL DRAIN	<b>30</b>
<b>FD2</b> 5" TOP ASSEMBLY ADJUSTABLE FLOOR DRAIN WITH DECK PLATE	<b>21</b>	<b>FD2275</b> BRASS NO-CAULK SHOWER STALL DRAIN	<b>30</b>
<b>FD2210</b> ADJUSTABLE FLOOR DRAIN	<b>21</b>	<b>FD2380</b> 6" X 6" BELL TRAP DRAIN	<b>31</b>
<b>FD2240</b> WOOD DECK DRAIN CAST IRON NO-HUB CONNECTION	<b>22</b>	<b>FD2381</b> 9" X 9" BELL TRAP DRAIN	<b>31</b>
<b>FD2283</b> SQUARE TOP DECORATIVE FLOOR DRAIN	<b>22</b>	<b>FS8</b> PVC FLOOR SINK	<b>32</b>
<b>FD2330</b> HEAVY-DUTY ADJUSTABLE FLOOR DRAIN	<b>22</b>	<b>FS12</b> PVC FLOOR SINK	<b>32</b>
<b>FD2340</b> MEDIUM-DUTY ADJUSTABLE FLOOR DRAIN	<b>23</b>	<b>FD2375</b> 12" X 12" A.R.E. FLOOR SINK – 6" SUMP DEPTH	<b>33</b>
<b>FD2350</b> HEAVY-DUTY FLOOR DRAIN	<b>23</b>	<b>FD2376</b> 12" X 12" A.R.E. FLOOR SINK – 8" SUMP DEPTH	<b>33</b>
<b>FD2360</b> LARGE CAPACITY FLOOR DRAIN	<b>24</b>	<b>FD2377</b> 12" X 12" A.R.E. FLOOR SINK – 10" SUMP DEPTH	<b>34</b>
<b>FD2200</b> SMALL AREA FLOOR DRAIN PVC OR ABS SOLVENT WELD CONNECTION	<b>24</b>	<b>FD2378</b> 8" X 8" A.R.E. FLOOR SINK – 6" SUMP DEPTH	<b>34</b>
<b>FD2200-NT</b> SMALL AREA FLOOR DRAIN CAST IRON NO-HUB CONNECTION	<b>25</b>	<b>JP2210</b> PVC OR ABS DRAIN ADAPTOR – USED IN FD2208, FD2209, AND FD2210 MODELS	<b>35</b>
<b>FD2201</b> GENERAL PURPOSE FLOOR DRAIN 2" X 3" PVC OR ABS CONNECTION	<b>25</b>	<b>JP2211</b> PVC OR ABS 3" X 4" DRAIN ADAPTOR – USED IN FD2211, FD2212, AND FD2213 MODELS	<b>35</b>
<b>FD2202</b> GENERAL PURPOSE FLOOR DRAIN 3" X 4" PVC OR ABS CONNECTION	<b>26</b>	<b>JP2321</b> LOW PROFILE CAST IRON DRAIN ADAPTOR WITH CLAMPING COLLAR – USED IN MODELS FD2321	<b>36</b>
<b>FD2220</b> MEDIUM-DUTY FLOOR DRAIN	<b>26</b>	<b>JP2322</b> LOW PROFILE CAST IRON DRAIN ADAPTOR – USED IN FD2322 MODELS	<b>36</b>
<b>FD2254</b> SHOWER DRAIN – ROUND	<b>27</b>		
<b>FD2254</b> SHOWER DRAIN – SQUARE	<b>28</b>		

## FD 3" X 4" ADJUSTABLE FLOOR DRAIN



- Recommended for finished floor areas.
- Designed for foot traffic and light duty applications.
- Consists of a PVC or ABS body with an adjustable nickel head and heel-proof grate.
- Fits over 3" [76 mm] or inside 4" [102 mm] Schedule 40 DWV pipe.
- Slab on grade drain.

BODY TYPE	MODEL NUMBER	DIM. IN INCHES [MM]		APPROX. WT. LB [KG]	BOX QTY.	LIST PRICE EACH	
		A	B				
PVC	FD-PV3	3" [76 mm] x 4" [102 mm]	Solvent Weld	5-3/16" [132 mm]	4 lb [2 kg]	8	51.50
	FD-PV3-R6	3" [76 mm] x 4" [102 mm]	Solvent Weld	6" [152 mm]	5 lb [2 kg]	8	62.50
	FD-PV3-ST	3" [76 mm] x 4" [102 mm]	Solvent Weld	5-3/16" [132 mm]	4 lb [2 kg]	8	68.00
	FD-PV3-S6	3" [76 mm] x 4" [102 mm]	Solvent Weld	6" [152 mm]	5 lb [2 kg]	8	89.50
	FD-PV3-SS	3" [76 mm] x 4" [102 mm]	Solvent Weld	5-3/16" [132 mm]	4 lb [2 kg]	8	51.50
	FD-PV3-R6-SS	3" [76 mm] x 4" [102 mm]	Solvent Weld	6" [152 mm]	5 lb [2 kg]	8	62.50
	FD-PV3-ST-SS	3" [76 mm] x 4" [102 mm]	Solvent Weld	5-3/16" [132 mm]	4 lb [2 kg]	8	68.00
	FD-PV3-S6-SS	3" [76 mm] x 4" [102 mm]	Solvent Weld	6" [152 mm]	5 lb [2 kg]	8	89.50
	FD-PV3-DI	3" [76 mm] x 4" [102 mm]	Solvent Weld	5-3/16" [132 mm]	4 lb [2 kg]	8	46.50
ABS	FD-AB3	3" [76 mm] x 4" [102 mm]	Solvent Weld	5-3/16" [132 mm]	4 lb [2 kg]	8	51.50
	FD-AB3-R6	3" [76 mm] x 4" [102 mm]	Solvent Weld	6" [152 mm]	5 lb [2 kg]	8	62.50
	FD-AB3-ST	3" [76 mm] x 4" [102 mm]	Solvent Weld	5-3/16" [132 mm]	4 lb [2 kg]	8	68.00
	FD-AB3-S6	3" [76 mm] x 4" [102 mm]	Solvent Weld	6" [152 mm]	5 lb [2 kg]	8	89.50
	FD-AB3-SS	3" [76 mm] x 4" [102 mm]	Solvent Weld	5-3/16" [132 mm]	4 lb [2 kg]	8	51.50
	FD-AB3-R6-SS	3" [76 mm] x 4" [102 mm]	Solvent Weld	6" [152 mm]	5 lb [2 kg]	8	62.50
	FD-AB3-ST-SS	3" [76 mm] x 4" [102 mm]	Solvent Weld	5-3/16" [132 mm]	4 lb [2 kg]	8	68.00
	FD-AB3-S6-SS	3" [76 mm] x 4" [102 mm]	Solvent Weld	6" [152 mm]	5 lb [2 kg]	8	89.50
	FD-AB3-DI	3" [76 mm] x 4" [102 mm]	Solvent Weld	5-3/16" [132 mm]	4 lb [2 kg]	8	46.50

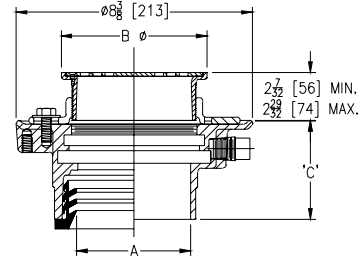


SUFFIX	DESCRIPTION	ADD
-DI	Ductile Iron Top	N/C
-P	1/2" [13 mm] Trap Primer Connection	N/C
-PB	Polished Brass 5" Round	26.50
-VP	Vandal Proof	5.50

# FD1 ROUND TOPS



- Recommended for foot traffic and light duty applications.
- Integral 1/2" trap primer with plug.
- Comes with clamp collar for applications where a water proofing membrane is present.



BODY TYPE	MODEL NUMBER	DIM. IN INCHES [MM]			APPROX. WT. LB [KG]	BOX QTY.	LIST PRICE EACH
		A	B	C			
PVC	FD1-PV2	2 [51]	5-3/16 [132]	3 [76]	5 [2]	8	91.00
	FD1-PV2-R6	2 [51]	6 [152]	3 [76]	5 [2]	8	103.50
	FD1-PV2-SS	2 [51]	5-3/16 [132]	3 [76]	5 [2]	8	91.00
	FD1-PV2-R6-SS	2 [51]	6 [152]	3 [76]	5 [2]	8	103.50
	FD1-PV2-DI	2 [51]	5-3/16 [132]	3 [76]	5 [2]	8	81.50
	FD1-PV3	3 [76]	5-3/16 [132]	3-3/4 [95]	5 [2]	8	91.00
	FD1-PV3-R6	3 [76]	6 [152]	3-3/4 [95]	4 [2]	8	103.50
	FD1-PV3-SS	3 [76]	5-3/16 [132]	3-3/4 [95]	4 [2]	8	91.00
	FD1-PV3-R6-SS	3 [76]	6 [152]	3-3/4 [95]	4 [2]	8	103.50
	FD1-PV3-DI	3 [76]	5-3/16 [132]	3-3/4 [95]	4 [2]	8	81.50
	FD1-PV4	4 [102]	5-3/16 [132]	4 [102]	5 [2]	8	91.00
	FD1-PV4-R6	4 [102]	6 [152]	4 [102]	5 [2]	8	103.50
	FD1-PV4-SS	4 [102]	5-3/16 [132]	4 [102]	5 [2]	8	91.00
	FD1-PV4-R6-SS	4 [102]	6 [152]	4 [102]	5 [2]	8	103.50
	FD1-PV4-DI	4 [102]	5-3/16 [132]	4 [102]	5 [2]	8	81.50
	ABS	FD1-AB2	2 [51]	5-3/16 [132]	3 [76]	5 [2]	8
FD1-AB2-R6		2 [51]	6 [152]	3 [76]	5 [2]	8	103.50
FD1-AB2-SS		2 [51]	5-3/16 [132]	3 [76]	5 [2]	8	91.00
FD1-AB2-R6-SS		2 [51]	6 [152]	3 [76]	5 [2]	8	103.50
FD1-AB2-DI		2 [51]	5-3/16 [132]	3 [76]	5 [2]	8	81.50
FD1-AB3		3"x4"	5-3/16 [132]	3-3/4 [95]	4 [2]	8	91.00
FD1-AB3-R6		3"x4"	6 [152]	3-3/4 [95]	4 [2]	8	103.50
FD1-AB3-SS		3"x4"	5-3/16 [132]	3-3/4 [95]	4 [2]	8	91.00
FD1-AB3-R6-SS		3"x4"	6 [152]	3-3/4 [95]	4 [2]	8	103.50
FD1-AB3-DI		3"x4"	5-3/16 [132]	3-3/4 [95]	4 [2]	8	81.50
FD1-AB4		4 [102]	5-3/16 [132]	4 [102]	5 [2]	8	91.00
FD1-AB4-R6		4 [102]	6 [152]	4 [102]	5 [2]	8	103.50
FD1-AB4-SS		4 [102]	5-3/16 [132]	4 [102]	5 [2]	8	91.00
FD1-AB4-R6-SS		4 [102]	6 [152]	4 [102]	5 [2]	8	103.50
FD1-AB4-DI		4 [102]	5-3/16 [132]	4 [102]	5 [2]	8	81.50

BODY TYPE	MODEL NUMBER	DIM. IN INCHES [MM]			APPROX. WT. LB [KG]	BOX QTY.	LIST PRICE EACH
		A	B	C			
Push On	FD1-PO2	2 [51]	5-3/16 [132]	4 [102]	11 [5]	8	103.50
	FD1-PO2-R6	2 [51]	6 [152]	4 [102]	11 [5]	8	131.50
	FD1-PO2-SS	2 [51]	5-3/16 [132]	4 [102]	11 [5]	8	103.50
	FD1-PO2-R6-SS	2 [51]	6 [152]	4 [102]	11 [5]	8	131.50
	FD1-PO2-DI	2 [51]	5-3/16 [132]	4 [102]	11 [5]	8	114.50
	FD1-PO3	3 [76]	5-3/16 [132]	4 [102]	10 [5]	8	103.50
	FD1-PO3-R6	3 [76]	6 [152]	4 [102]	10 [5]	8	131.50
	FD1-PO3-SS	3 [76]	5-3/16 [132]	4 [102]	10 [5]	8	103.50
	FD1-PO4	4 [102]	6 [152]	4 [102]	10 [5]	8	103.50
	FD1-PO4-R6	4 [102]	5-3/16 [132]	4 [102]	10 [5]	8	131.50
	FD1-PO4-SS	4 [102]	5-3/16 [132]	4 [102]	10 [5]	8	103.50
	FD1-PO4-R6-SS	4 [102]	6 [152]	4 [102]	10 [5]	8	131.50
	FD1-PO4-DI	4 [102]	5-3/16 [132]	4 [102]	10 [5]	8	114.50
	FD1-NH2	2 [51]	6 [152]	4 [102]	11 [5]	8	103.50
	FD1-NH2-R6	2 [51]	5-3/16 [132]	4 [102]	11 [5]	8	131.50
	No Hub	FD1-NH2-SS	2 [51]	5-3/16 [132]	4 [102]	11 [5]	8
FD1-NH2-R6-SS		2 [51]	6 [152]	4 [102]	11 [5]	8	131.50
FD1-NH2-DI		2 [51]	5-3/16 [132]	4 [102]	11 [5]	8	114.50
FD1-NH3		3 [76]	5-3/16 [132]	4 [102]	10 [5]	8	103.50
FD1-NH3-R6		3 [76]	6 [152]	4 [102]	10 [5]	8	131.50
FD1-NH3-SS		3 [76]	5-3/16 [132]	4 [102]	10 [5]	8	103.50
FD1-NH3-R6-SS		3 [76]	6 [152]	4 [102]	10 [5]	8	131.50
FD1-NH3-DI		3 [76]	5-3/16 [132]	4 [102]	10 [5]	8	114.50
FD1-NH4		4 [102]	5-3/16 [132]	4 [102]	10 [5]	8	103.50
FD1-NH4-R6		4 [102]	6 [152]	4 [102]	10 [5]	8	131.50
FD1-NH4-SS		4 [102]	5-3/16 [132]	4 [102]	10 [5]	8	103.50
FD1-NH4-R6-SS		4 [102]	6 [152]	4 [102]	10 [5]	8	131.50
FD1-NH4-DI		4 [102]	5-3/16 [132]	4 [102]	10 [5]	8	114.50

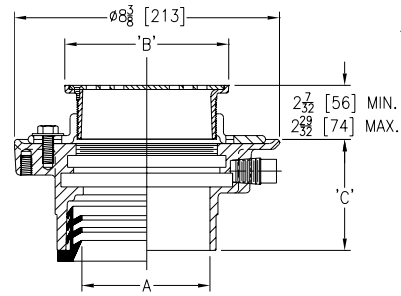
SUFFIX	DESCRIPTION	ADD
-C	Clamp Collar with Hardware	14.00
-VP	Vandal-Proofing Screws	5.50
-Y	Debris Basket	27.50

For additional product information, please visit [www.zurn.com](http://www.zurn.com)  
 Patent [zurn.com/patents](http://zurn.com/patents)

## FD1 SQUARE TOPS



- Recommended for foot traffic and light duty applications
- Integral 1/2" trap primer with plug.
- Comes with clamp collar for applications where a water proofing membrane is present.



BODY TYPE	MODEL NUMBER	DIM. IN INCHES [MM]			APPROX. WT. LB [KG]	BOX QTY.	LIST PRICE EACH
		A	B	C			
PVC	FD1-PV2-ST	2 [51]	5 [127]	3 [76]	5 [2]	8	108.00
	FD1-PV2-S6	2 [51]	6 [152]	3 [76]	5 [2]	8	134.50
	FD1-PV2-ST-SS	2 [51]	5 [127]	3 [76]	5 [2]	8	108.00
	FD1-PV2-S6-SS	2 [51]	6 [152]	3 [76]	5 [2]	8	134.50
	FD1-PV3-ST	3 [76]	5 [127]	3-3/4 [95]	4 [2]	8	108.00
	FD1-PV3-S6	3 [76]	6 [152]	3-3/4 [95]	4 [2]	8	134.50
	FD1-PV3-ST-SS	3 [76]	5 [127]	3-3/4 [95]	4 [2]	8	108.00
	FD1-PV3-S6-SS	3 [76]	6 [152]	3-3/4 [95]	4 [2]	8	134.50
	FD1-PV4-ST	4 [102]	5 [127]	4 [102]	5 [2]	8	108.00
	FD1-PV4-S6	4 [102]	6 [152]	4 [102]	5 [2]	8	134.50
	FD1-PV4-ST-SS	4 [102]	5 [127]	4 [102]	5 [2]	8	108.00
	FD1-PV4-S6-SS	4 [102]	6 [152]	4 [102]	5 [2]	8	134.50
ABS	FD1-AB2-ST	2 [51]	5 [127]	3 [76]	5 [2]	8	108.00
	FD1-AB2-S6	2 [51]	6 [152]	3 [76]	5 [2]	8	134.50
	FD1-AB2-ST-SS	2 [51]	5 [127]	3 [76]	5 [2]	8	108.00
	FD1-AB2-S6-SS	2 [51]	6 [152]	3 [76]	5 [2]	8	134.50
	FD1-AB3-ST	3 [76]	5 [127]	3-3/4 [95]	4 [2]	8	108.00
	FD1-AB3-S6	3 [76]	6 [152]	3-3/4 [95]	4 [2]	8	134.50
	FD1-AB3-ST-SS	3 [76]	5 [127]	3-3/4 [95]	4 [2]	8	108.00
	FD1-AB3-S6-SS	3 [76]	6 [152]	3-3/4 [95]	4 [2]	8	134.50
	FD1-AB4-ST	4 [102]	5 [127]	4 [102]	5 [2]	8	108.00
	FD1-AB4-S6	4 [102]	6 [152]	4 [102]	5 [2]	8	134.50
	FD1-AB4-ST-SS	4 [102]	5 [127]	4 [102]	5 [2]	8	108.00
	FD1-AB4-S6-SS	4 [102]	6 [152]	4 [102]	5 [2]	8	134.50

BODY TYPE	MODEL NUMBER	DIM. IN INCHES [MM]			APPROX. WT. LB [KG]	BOX QTY.	LIST PRICE EACH
		A	B	C			
Push On	FD1-PO2-ST	2 [51]	5 [127]	4 [102]	11 [5]	8	120.50
	FD1-PO2-S6	2 [51]	6 [152]	4 [102]	11 [5]	8	162.00
	FD1-PO2-ST-SS	2 [51]	5 [127]	4 [102]	11 [5]	8	120.50
	FD1-PO2-S6-SS	2 [51]	6 [152]	4 [102]	11 [5]	8	162.00
	FD1-PO3-ST	3 [76]	5 [127]	4 [102]	10 [5]	8	120.50
	FD1-PO3-S6	3 [76]	6 [152]	4 [102]	10 [5]	8	162.00
	FD1-PO3-ST-SS	3 [76]	5 [127]	4 [102]	10 [5]	8	120.50
	FD1-PO3-S6-SS	3 [76]	6 [152]	4 [102]	10 [5]	8	162.00
	FD1-PO4-ST	4 [102]	5 [127]	4 [102]	10 [5]	8	120.50
	FD1-PO4-S6	4 [102]	6 [152]	4 [102]	10 [5]	8	162.00
	FD1-PO4-ST-SS	4 [102]	5 [127]	4 [102]	10 [5]	8	120.50
	FD1-PO4-S6-SS	4 [102]	6 [152]	4 [102]	10 [5]	8	162.00
No Hub	FD1-NH2-ST	2 [51]	5 [127]	4 [102]	11 [5]	8	120.50
	FD1-NH2-S6	2 [51]	6 [152]	4 [102]	11 [5]	8	162.00
	FD1-NH2-ST-SS	2 [51]	5 [127]	4 [102]	11 [5]	8	120.50
	FD1-NH2-S6-SS	2 [51]	6 [152]	4 [102]	11 [5]	8	162.00
	FD1-NH3-ST	3 [76]	5 [127]	4 [102]	10 [5]	8	120.50
	FD1-NH3-S6	3 [76]	6 [152]	4 [102]	10 [5]	8	162.00
	FD1-NH3-ST-SS	3 [76]	5 [127]	4 [102]	10 [5]	8	120.50
	FD1-NH3-S6-SS	3 [76]	6 [152]	4 [102]	10 [5]	8	162.00
	FD1-NH4-ST	4 [102]	5 [127]	4 [102]	10 [5]	8	120.50
	FD1-NH4-S6	4 [102]	6 [152]	4 [102]	10 [5]	8	162.00
	FD1-NH4-ST-SS	4 [102]	5 [127]	4 [102]	10 [5]	8	120.50
	FD1-NH4-S6-SS	4 [102]	6 [152]	4 [102]	10 [5]	8	162.00

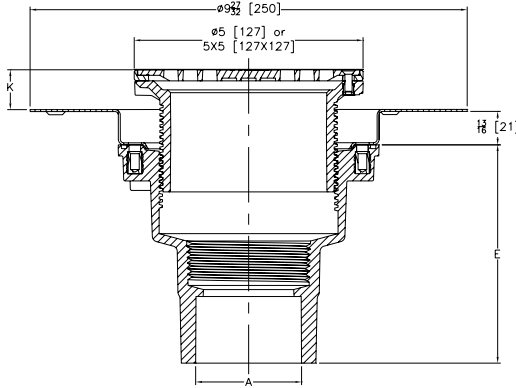
SUFFIX	DESCRIPTION	ADD
-C	Clamp Collar with Hardware	14.00
-VP	Vandal-Proofing Screws	5.50
-Y	Debris Basket	19.50

## FD2 5" TOP ASSEMBLY ADJUSTABLE FLOOR DRAIN WITH DECK PLATE



- Zurn FD2 floor and shower drain, PVC or ABS solvent weld body with bottom outlet and 1/2" [13] trap primer connection knock-out plug, stainless steel deck plate, and top assembly.
- FD2 drainage series is available with a square or round light duty strainer in nickel bronze or stainless steel.

BODY TYPE	MODEL NUMBER	DIM. IN INCHES [MM]				APPROX. WT. LB [KG]	STRAINER TYPE	LIST PRICE EACH
		A	E	K				
PVC	FD2-PV2	2-3 [51-76]	4-15/16 [125]	0	1-7/16 [37]	5 [2]	Round Nickel Bronze	51.00
	FD2-PV3	3-4 [76-102]	3-25/32 [96]	0	1-7/16 [37]	5 [2]	Round Nickel Bronze	51.00
	FD2-PV2-ST	2-3 [51-76]	4-15/16 [125]	7/16 [11]	1-11/16 [43]	6 [3]	Square Nickel Bronze	64.50
	FD2-PV3-ST	3-4 [76-102]	3-25/32 [96]	7/16 [11]	1-11/16 [43]	6 [3]	Square Nickel Bronze	64.50
	FD2-PV2-SS	2-3 [51-76]	4-15/16 [125]	0	1-7/16 [37]	5 [2]	Round Stainless Steel	51.00
	FD2-PV3-SS	3-4 [76-102]	3-25/32 [96]	0	1-7/16 [37]	5 [2]	Round Stainless Steel	51.00
	FD2-PV2-ST-SS	2-3 [51-76]	4-15/16 [125]	7/16 [11]	1-11/16 [43]	6 [3]	Square Stainless Steel	64.50
	FD2-PV3-ST-SS	3-4 [76-102]	3-25/32 [96]	7/16 [11]	1-11/16 [43]	6 [3]	Square Stainless Steel	64.50
ABS	FD2-AB2	2-3 [51-76]	4-15/16 [125]	0	1-7/16 [37]	5 [2]	Round Nickel Bronze	51.00
	FD2-AB3	3-4 [76-102]	3-25/32 [96]	0	1-7/16 [37]	5 [2]	Round Nickel Bronze	51.00
	FD2-AB2-ST	2-3 [51-76]	4-15/16 [125]	7/16 [11]	1-11/16 [43]	6 [3]	Square Nickel Bronze	64.50
	FD2-AB3-ST	3-4 [76-102]	3-25/32 [96]	7/16 [11]	1-11/16 [43]	6 [3]	Square Nickel Bronze	64.50
	FD2-AB2-SS	2-3 [51-76]	4-15/16 [125]	0	1-7/16 [37]	5 [2]	Round Stainless Steel	51.00
	FD2-AB3-SS	3-4 [76-102]	3-25/32 [96]	0	1-7/16 [37]	5 [2]	Round Stainless Steel	51.00
	FD2-AB2-ST-SS	2-3 [51-76]	4-15/16 [125]	7/16 [11]	1-11/16 [43]	6 [3]	Square Stainless Steel	64.50
	FD2-AB3-ST-SS	3-4 [76-102]	3-25/32 [96]	7/16 [11]	1-11/16 [43]	6 [3]	Square Stainless Steel	64.50



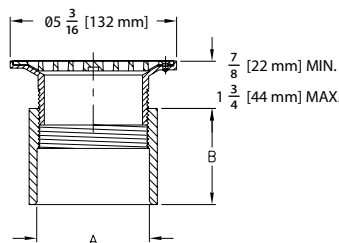
SUFFIX	DESCRIPTION	ADD
-CC	Stainless Steel Clamp Collar	17.00
-EF	3/4" [19] Extension Frame	66.50
-FI	Floor Insert (For Round Top Assembly Only)	22.50
-TSP	Trap Seal Protection Device (Size Matches Drain Outlet Selected) (See Z1072)	POA
-U	2"-3-1/4" [51-83] High Extension Adapter	26.00
-VP	Vandal-Proof Secured Top	6.00
-Y	Sediment Bucket	18.00

## FD2210 ADJUSTABLE FLOOR DRAIN



- Recommended for finished floor areas.
- Designed for foot traffic and light duty applications.
- Consists of a PVC or ABS body with an adjustable nickel head and heel-proof grate.

BODY TYPE	MODEL NUMBER	DIM. IN INCHES [MM]		APPROX. WT. LB [KG]	BOX QTY.	LIST PRICE EACH
		A	B			
PVC	FD2210-PV2	2" [51 mm] Solvent Weld	1-7/8" [48 mm]	4 lb [2 kg]	8	46.50
	FD2210-PV3	3" [76 mm] Solvent Weld	3-5/16" [84 mm]	4 lb [2 kg]	8	52.00
	FD2210-PV4	4" [102 mm] Solvent Weld	3-5/16" [84 mm]	4 lb [2 kg]	8	60.00
ABS	FD2210-AB2	2" [51 mm] Solvent Weld	1-7/8" [48 mm]	4 lb [2 kg]	8	46.50
	FD2210-AB3	3" [76 mm] Solvent Weld	3-5/16" [84 mm]	4 lb [2 kg]	8	52.00
	FD2210-AB4	4" [102 mm] Solvent Weld	3-5/16" [84 mm]	4 lb [2 kg]	8	60.00



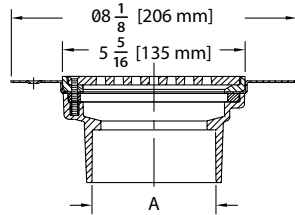
SUFFIX	DESCRIPTION	ADD
-CP	Chrome-Plated Top	22.50
-PB	Polished Brass (2" and 4" Only)	26.50
-VP	Vandal Proof	5.50

## FD2240 WOOD DECK DRAIN CAST IRON NO-HUB CONNECTION



- Recommended for foot traffic and light carts.
- Unique design allows for installation in wood decks where flexible sheet flooring is used.
- Furnished with cast iron body with a steel anchor flange.

CONNECTION TYPE	MODEL NUMBER	DIM. IN INCHES [MM]		APPROX. WT. LB [KG]	BOX QTY.	LIST PRICE EACH
		A				
<b>Cast Iron Frame and Grate</b>						
No-Hub	FD2240-NH3	3"	[76 mm]	4 lb	4	90.50
	FD2240-NH4	4"	[102 mm]	4 lb	4	90.50
<b>Nickel Frame and Grate</b>						
No-Hub	FD2240-NH3-NT	3"	[76 mm]	4 lb	4	109.50
	FD2240-NH4-NT	4"	[102 mm]	4 lb	4	109.50



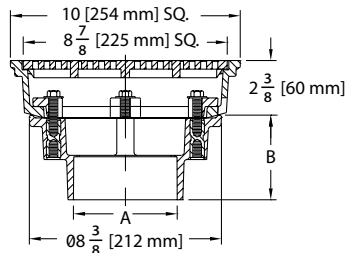
SUFFIX	DESCRIPTION	ADD
-VP	Vandal Proof	5.50

## FD2283 SQUARE TOP DECORATIVE FLOOR DRAIN



- Recommended for pool areas, prom decks, patios, and light traffic areas.
- PVC body and rotatable, PVC frame.
- Clamps and PVC decorative heel-proof grate.

BODY TYPE	MODEL NUMBER	DIM. IN INCHES [MM]		APPROX. WT. LB [KG]	BOX QTY.	LIST PRICE EACH
		A	B			
PVC	FD2283-PV2	2"	[51 mm]	4 lb	1	107.50
	FD2283-PV3	3"	[76 mm]	4 lb	1	107.50
	FD2283-PV4	4"	[102 mm]	4 lb	1	107.50



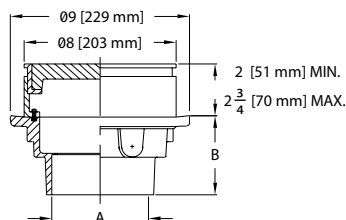
SUFFIX	DESCRIPTION	ADD
-P	1/2" [13 mm] Trap Primer Connection	19.00
-VP	Vandal Proof	5.50

## FD2330 HEAVY-DUTY ADJUSTABLE FLOOR DRAIN



- Recommended for heavy vehicles or industrial applications
- Consists of PVC or ABS body with steel-threaded inserts
- Complete with a cast iron clamp collar, leveling frame and heavy-duty grate

BODY TYPE	PART NUMBER	DIM. IN INCHES [MM]		APPROX. WT. LB [KG]	LIST PRICE EACH
		A	B		
PVC	FD2330-PV2	2" [50 mm] PVC Hub	2-31/32" [76 mm]	5 lb [3 mm]	113.50
	FD2330-PV3	3" [75 mm] PVC Hub	3-11/16" [94 mm]	5 lb [3 mm]	113.50
	FD2330-PV4	4" [100 mm] PVC Hub	3-13/16" [97 mm]	5 lb [3 mm]	113.50
ABS	FD2330-AB2	2" [50 mm] ABS Hub	2-31/32" [76 mm]	5 lb [3 mm]	113.50
	FD2330-AB3	3" [75 mm] ABS Hub	3-11/16" [94 mm]	5 lb [3 mm]	113.50
	FD2330-AB4	4" [100 mm] ABS Hub	3-13/16" [97 mm]	5 lb [3 mm]	113.50

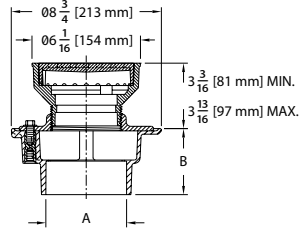


SUFFIX	DESCRIPTION	ADD
-P	1/2" [13 mm] Trap Primer Connection	18.00
-Y	Sediment Bucket	38.50

## FD2340 MEDIUM-DUTY ADJUSTABLE FLOOR DRAIN



- Recommended for moderate traffic areas.
- The square hole pattern grate is ideal for small wheel traffic, wheelchairs or bicycles.
- Drain is furnished with a PVC or ABS body with steel-threaded inserts.
- Adjustable head and grate are constructed of cast iron.



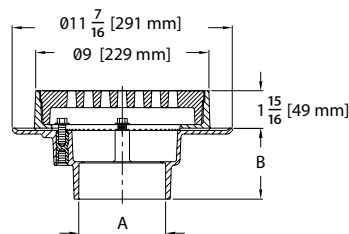
BODY TYPE	MODEL NUMBER	DIM. IN INCHES [MM]		APPROX. WT. LB [KG]	BOX QTY.	LIST PRICE EACH
		A	B			
PVC	FD2340-PV2	2" [51 mm]	2-31/32" [76 mm]	5 lb [3 kg]	1	97.00
	FD2340-PV3	3" [76 mm]	3-11/16" [94 mm]	5 lb [3 kg]	1	97.00
	FD2340-PV4	4" [102 mm]	3-13/16" [97 mm]	5 lb [3 kg]	1	97.00
ABS	FD2340-AB2	2" [51 mm]	2-31/32" [76 mm]	5 lb [3 kg]	1	97.00
	FD2340-AB3	3" [76 mm]	3-11/16" [94 mm]	5 lb [3 kg]	1	97.00
	FD2340-AB4	4" [102 mm]	3-13/16" [97 mm]	5 lb [3 kg]	1	97.00

SUFFIX	DESCRIPTION	ADD
-P	1/2" [13 mm] Trap Primer Connection	18.00
-Y	Sediment Bucket	24.00

## FD2350 HEAVY-DUTY FLOOR DRAIN



- Recommended for unfinished areas.
- Designed for heavy vehicle traffic or industrial applications.
- The PVC and ABS wide-flange body has steel-threaded inserts for attaching the frame.
- The cast iron clamping frame and heavy-duty grate are designed for weepage.



BODY TYPE	MODEL NUMBER	DIM. IN INCHES [MM]		APPROX. WT. LB [KG]	BOX QTY.	LIST PRICE EACH
		A	B			
PVC	FD2350-PV2	2" [51 mm]	2-31/32" [76 mm]	5 lb [3 kg]	1	64.00
	FD2350-PV3	3" [76 mm]	3-11/16" [94 mm]	5 lb [3 kg]	1	64.00
	FD2350-PV4	4" [102 mm]	3-13/16" [97 mm]	5 lb [3 kg]	1	64.00
ABS	FD2350-AB2	2" [51 mm]	2-31/32" [76 mm]	5 lb [3 kg]	1	64.00
	FD2350-AB3	3" [76 mm]	3-11/16" [94 mm]	5 lb [3 kg]	1	64.00
	FD2350-AB4	4" [102 mm]	3-13/16" [97 mm]	5 lb [3 kg]	1	64.00

SUFFIX	DESCRIPTION	ADD
-P	1/2" [13 mm] Trap Primer Connection	18.00
-S	Secondary Strainer	12.50
-VP	Vandal Proof	34.50
-Y	Sediment Bucket	38.50

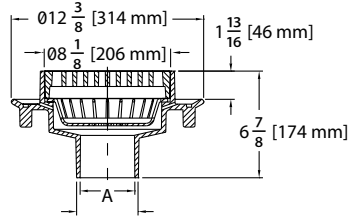


## FD2360 LARGE CAPACITY FLOOR DRAIN



BODY TYPE	MODEL NUMBER	DIM. IN INCHES [MM]		APPROX. WT. LB [KG]	BOX QTY.	LIST PRICE EACH
		A				
PVC	FD2360-PVC	3" [76 mm] x 4" [102 mm] Solvent Weld		5 lb [3 kg]	1	99.50
ABS	FD2360-ABS	3" [76 mm] x 4" [102 mm] Solvent Weld		5 lb [3 kg]	1	99.50

- Low profile design with ABS or PVC body.
- Integral anchor flange, sediment bucket, and deep grate.
- For use at grade or above grade.
- Outlet connection fits over 3" [76 mm] and inside 4" [102 mm] Schedule 40 DWV pipe.

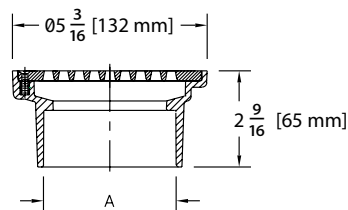


## FD2200 SMALL AREA FLOOR DRAIN PVC OR ABS SOLVENT WELD CONNECTION



BODY TYPE	MODEL NUMBER	DIM. IN INCHES [MM]		APPROX. WT. LB [KG]	BOX QTY.	LIST PRICE EACH
		A				
<b>Cast Iron Strainer</b>						
PVC	FD2200-PV2	2" [51 mm]		4 lb [2 kg]	8	21.00
	FD2200-PV3	3" [76 mm]		4 lb [2 kg]	8	25.50
	FD2200-PV4	4" [102 mm]		4 lb [2 kg]	8	31.00
ABS	FD2200-AB2	2" [51 mm]		4 lb [2 kg]	8	21.00
	FD2200-AB3	3" [76 mm]		4 lb [2 kg]	8	25.50
	FD2200-AB4	4" [102 mm]		4 lb [2 kg]	8	31.00
<b>Nickel Strainer</b>						
PVC	FD2200-PV2-NT	2" [51 mm]		4 lb [2 kg]	8	35.00
	FD2200-PV3-NT	3" [76 mm]		4 lb [2 kg]	8	38.50
	FD2200-PV4-NT	4" [102 mm]		4 lb [2 kg]	8	44.50
ABS	FD2200-AB2-NT	2" [51 mm]		4 lb [2 kg]	8	35.00
	FD2200-AB3-NT	3" [76 mm]		4 lb [2 kg]	8	38.50
	FD2200-AB4-NT	4" [102 mm]		4 lb [2 kg]	8	44.50

- Constructed of heavy walled PVC or ABS body. Complete with galvanized steel threaded inserts to accept grate securing bolts.
- Dura-Coated cast iron, heel-proof grate.
- Optional heel-proof nickel strainer.



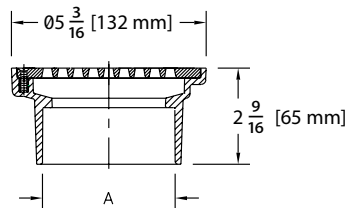
SUFFIX	DESCRIPTION	ADD
-VP	Vandal Proof	5.50

## FD2200-NT SMALL AREA FLOOR DRAIN CAST IRON NO-HUB CONNECTION



- Dura-Coated cast iron, heel-proof grate.
- Optional heel-proof nickel strainer.

CONNECTION TYPE	MODEL NUMBER	DIM. IN INCHES [MM]		APPROX. WT. LB [KG]	BOX QTY.	LIST PRICE EACH
		A				
<b>Cast Iron Strainer</b>						
No-Hub	FD2200-NH3	3" [76 mm]		4 lb [2 kg]	8	24.00
	FD2200-NH4	4" [102 mm]		4 lb [2 kg]	8	30.00
<b>Nickel Strainer</b>						
No-Hub	FD2200-NH3-NT	3" [76 mm]		4 lb [2 kg]	8	40.00
	FD2200-NH4-NT	4" [102 mm]		4 lb [2 kg]	8	46.00



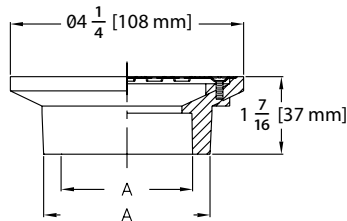
SUFFIX	DESCRIPTION	ADD
-VP	Vandal Proof	5.50

## FD2201 GENERAL PURPOSE FLOOR DRAIN 2" X 3" PVC OR ABS CONNECTION



- Constructed of heavy walled PVC or ABS body. Each body is furnished with brass threaded inserts to accept grate securing screws.
- Fits over 2" [51 mm] and inside 3" [76 mm] Schedule 40 DWV pipe.
- -FMT version standard with Full Metal Top strainer completely covers plastic edge.

BODY TYPE	MODEL NUMBER	DIM. IN INCHES [MM]		APPROX. WT. LB [KG]	BOX QTY.	LIST PRICE EACH
		A				
PVC	FD2201-PVC	2" [51 mm] x 3" [76 mm] Solvent Weld		4 lb [2 kg]	20	9.50
ABS	FD2201-ABS	2" [51 mm] x 3" [76 mm] Solvent Weld		4 lb [2 kg]	20	9.50
PVC	FD2201-PVC-FMT	2" [51 mm] x 3" [76 mm] Solvent Weld		4 lb [2 kg]	20	9.50
ABS	FD2201-ABS-FMT	2" [51 mm] x 3" [76 mm] Solvent Weld		4 lb [2 kg]	20	9.50



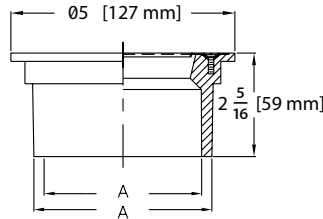
SUFFIX	DESCRIPTION	ADD
-VP	Vandal Proof	5.50

## FD2202 GENERAL PURPOSE FLOOR DRAIN 3" X 4" PVC OR ABS CONNECTION



- Constructed of a heavy walled ABS or PVC body complete with brass threaded inserts to accept securing screws.
- Fits over 3" [76 mm] and inside 4" [102 mm] Schedule 40 DWV pipe.
- Stainless steel strainer.

BODY TYPE	MODEL NUMBER	DIM. IN INCHES [MM]		APPROX. WT. LB [KG]	BOX QTY.	LIST PRICE EACH	
		A					
PVC	FD2202-PVC	3" [76 mm]	4" [102 mm]	Solvent Weld	4 lb [2 kg]	10	17.50
ABS	FD2202-ABS	3" [76 mm]	4" [102 mm]	Solvent Weld	4 lb [2 kg]	10	17.50



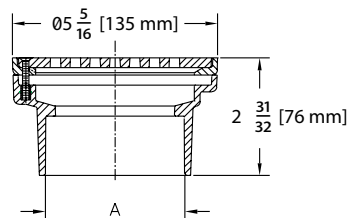
SUFFIX	DESCRIPTION	ADD
-VP	Vandal Proof	5.50

## FD2220 MEDIUM-DUTY FLOOR DRAIN



- Recommended for light vehicle traffic and residential applications.
- Furnished with a PVC or ABS body and cast iron frame and grate.
- Hub connection.

BODY TYPE	MODEL NUMBER	DIM. IN INCHES [MM]		APPROX. WT. LB [KG]	BOX QTY.	LIST PRICE EACH
		A				
<b>Cast Iron Strainer</b>						
PVC	FD2220-PV2	2" [51 mm]		4 lb [2 kg]	8	28.00
	FD2220-PV3	3" [76 mm]		4 lb [2 kg]	8	31.50
	FD2220-PV4	4" [102 mm]		4 lb [2 kg]	8	39.00
ABS	FD2220-AB2	2" [51 mm]		4 lb [2 kg]	8	28.00
	FD2220-AB3	3" [76 mm]		4 lb [2 kg]	8	31.50
	FD2220-AB4	4" [102 mm]		4 lb [2 kg]	8	39.00
<b>Nickel Strainer</b>						
PVC	FD2220-PV2-NT	2" [51 mm]		4 lb [2 kg]	8	50.50
	FD2220-PV3-NT	3" [76 mm]		4 lb [2 kg]	8	56.50
	FD2220-PV4-NT	4" [102 mm]		4 lb [2 kg]	8	61.50
ABS	FD2220-AB2-NT	2" [51 mm]		4 lb [2 kg]	8	50.50
	FD2220-AB3-NT	3" [76 mm]		4 lb [2 kg]	8	56.50
	FD2220-AB4-NT	4" [102 mm]		4 lb [2 kg]	8	61.50



SUFFIX	DESCRIPTION	ADD
-VP	Vandal Proof	5.50

# FD2254 SHOWER DRAIN - ROUND



FD2254-PV2



FD2254-NH2



FD2254-FMT



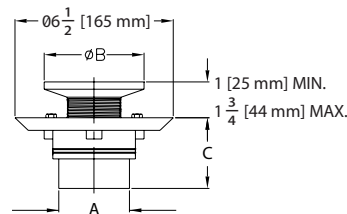
FD2254-PV2-R5



- Recommended in showers where a membrane is used.
- Adjustable head to meet finished floor elevations.
- Beveled clamping collar provides easier subfloor installation.

CONNECTION TYPE	MODEL NUMBER	DIM. IN INCHES [MM]			APPROX. WT. LB [KG]	BOX QTY.	LIST PRICE EACH
		A	B	C			
<b>4" [102 mm] Round Chrome-Plated Strainer</b>							
Solvent Weld	FD2254-PV2	2" [51 mm] x 3" [76 mm] PVC Body	4-1/4" [108 mm]	2-7/8" [73 mm]	4 lb [2 kg]	12	12.50
	FD2254-AB2	2" [51 mm] x 3" [76 mm] ABS Body	4-1/4" [108 mm]	2-7/8" [73 mm]	4 lb [2 kg]	12	12.50
<b>4" [102 mm] Round Full Metal Top - Stainless Steel Strainer</b>							
No-Hub	FD2254-NH2	2" [51 mm] No-Hub	4-1/4" [108 mm]	2-7/8" [73 mm]	4 lb [2 kg]	12	46.00
Push-On	FD2254-PO2	2" [51 mm] Push-On	4-1/4" [108 mm]	2-7/8" [73 mm]	4 lb [2 kg]	12	48.00
Caulk	FD2254-IC2	2" [51 mm] Inside Caulk	4-1/4" [108 mm]	2-7/8" [73 mm]	4 lb [2 kg]	12	46.00
IPS	FD2254-IP2	2" [51 mm] IPS	4-1/4" [108 mm]	2-7/8" [73 mm]	4 lb [2 kg]	12	46.00
<b>OPTIONS</b>							
SUFFIX	DESCRIPTION						ADD
-CP	Chrome-Plated (For PV2 and AB2 Only)						26.00
-CS	Chrome-Plated Head with Stainless Steel Strainer						29.00
-PB	Polished Brass						29.00

CONNECTION TYPE	MODEL NUMBER	DIM. IN INCHES [MM]			APPROX. WT. LBS. [KG]	BOX QTY.	LIST PRICE EACH
		A	B	C			
<b>4" [102 mm] Round Full Metal Top - Stainless Steel Strainer</b>							
Solvent Weld	FD2254-PV2-FMT	2" [51 mm] x 3" [76 mm] PVC Body	4-1/4" [108 mm]	2-7/8" [73 mm]	4 lb [2 kg]	12	20.50
	FD2254-AB2-FMT	2" [51 mm] x 3" [76 mm] ABS Body	4-1/4" [108 mm]	2-7/8" [73 mm]	4 lb [2 kg]	12	20.50
<b>5" [127 mm] Round Nickel Head Assembly</b>							
PVC	FD2254-PV2-R5	2" [51 mm] x 3" [76 mm] Solvent Weld	5-3/16" [132 mm]	2-7/8" [73 mm]	4 lb [2 kg]	12	49.00
ABS	FD2254-AB2-R5	2" [51 mm] x 3" [76 mm] Solvent Weld	5-3/16" [132 mm]	2-7/8" [73 mm]	4 lb [2 kg]	12	49.00
No-Hub	FD2254-NH2-R5	2" [51 mm]	5-3/16" [132 mm]	3-3/4" [95 mm]	4 lb [2 kg]	12	56.50
Push-On	FD2254-PO2-R5	2" [51 mm]	5-3/16" [132 mm]	3-3/4" [95 mm]	4 lb [2 kg]	12	62.50
Caulk	FD2254-IC2-R5	2" [51 mm]	5-3/16" [132 mm]	3-3/4" [95 mm]	4 lb [2 kg]	12	56.50
IPS	FD2254-IP2-R5	2" [51 mm]	5-3/16" [132 mm]	3-3/4" [95 mm]	4 lb [2 kg]	12	56.50
<b>OPTIONS</b>							
SUFFIX	DESCRIPTION						ADD
-R5-CP	Chrome-Plated 5" Round						26.00
-R5-PB	Polished Brass 5" Round						29.00



FD2254

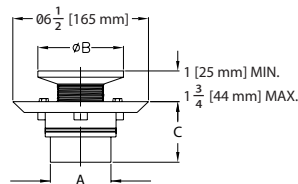
For additional product information, please visit [www.zurn.com](http://www.zurn.com)  
Patent [zurn.com/patents](http://zurn.com/patents)

# FD2254 SHOWER DRAIN – SQUARE

- Recommended in showers where a membrane is used.
- Adjustable head to meet finished floor elevations.
- Beveled clamping collar provides easier subfloor installation.



CONNECTION TYPE	MODEL NUMBER	DIM. IN INCHES [MM]			APPROX. WT. LB [KG]	BOX QTY.	LIST PRICE EACH
		A	B	C			
<b>4" [102 mm] Square Polished Brass Head Assembly</b>							
Solvent Weld	FD2254-PV2-BS4	2" [51 mm] x 3" [76 mm] PVC	4-3/16" [114 mm]	2-7/8" [73 mm]	4 lb [2 kg]	12	49.50
	FD2254-AB2-BS4	2" [51 mm] x 3" [76 mm] ABS	4-3/16" [114 mm]	2-7/8" [73 mm]	4 lb [2 kg]	12	49.50
No-Hub	FD2254-NH2-BS4	2" [51 mm]	4-3/16" [114 mm]	3-3/4" [95 mm]	4 lb [2 kg]	12	64.00
Push-On	FD2254-PO2-BS4	2" [51 mm]	4-3/16" [114 mm]	3-3/4" [95 mm]	4 lb [2 kg]	12	66.50
Caulk	FD2254-IC2-BS4	2" [51 mm]	4-3/16" [114 mm]	3-3/4" [95 mm]	4 lb [2 kg]	12	64.00
IPS	FD2254-IP2-BS4	2" [51 mm]	4-3/16" [114 mm]	3-3/4" [95 mm]	4 lb [2 kg]	12	64.00
<b>4" [102 mm] Square Chrome-Plated Brass Head Assembly</b>							
Solvent Weld	FD2254-PV2-CS4	2" [51 mm] x 3" [76 mm] PVC	4-3/16" [114 mm]	2-7/8" [73 mm]	4 lb [2 kg]	12	57.50
	FD2254-AB2-CS4	2" [51 mm] x 3" [76 mm] ABS	4-3/16" [114 mm]	2-7/8" [73 mm]	4 lb [2 kg]	12	57.50
No-Hub	FD2254-NH2-CS4	2" [51 mm]	4-3/16" [114 mm]	3-3/4" [95 mm]	4 lb [2 kg]	12	59.00
Push-On	FD2254-PO2-CS4	2" [51 mm]	4-3/16" [114 mm]	3-3/4" [95 mm]	4 lb [2 kg]	12	61.50
Caulk	FD2254-IC2-CS4	2" [51 mm]	4-3/16" [114 mm]	3-3/4" [95 mm]	4 lb [2 kg]	12	59.00
IPS	FD2254-IP2-CS4	2" [51 mm]	4-3/16" [114 mm]	3-3/4" [95 mm]	4 lb [2 kg]	12	59.00
<b>5" [127 mm] Square Nickel Head Assembly</b>							
Solvent Weld	FD2254-PV2-S5	2" [51 mm] x 3" [76 mm] PVC	5" [127 mm]	2-7/8" [73 mm]	4 lb [2 kg]	12	58.00
	FD2254-AB2-S5	2" [51 mm] x 3" [76 mm] ABS	5" [127 mm]	2-7/8" [73 mm]	4 lb [2 kg]	12	58.00
No-Hub	FD2254-NH2-S5	2" [51 mm]	5" [127 mm]	3-3/4" [95 mm]	4 lb [2 kg]	12	65.50
Push-On	FD2254-PO2-S5	2" [51 mm]	5" [127 mm]	3-3/4" [95 mm]	4 lb [2 kg]	12	69.00
Caulk	FD2254-IC2-S5	2" [51 mm]	5" [127 mm]	3-3/4" [95 mm]	4 lb [2 kg]	12	65.50
IPS	FD2254-IP2-S5	2" [51 mm]	5" [127 mm]	3-3/4" [95 mm]	4 lb [2 kg]	12	65.50
<b>OPTIONS</b>							
SUFFIX	DESCRIPTION						ADD
-CP	Chrome-Plated 5" Square						26.00
-PB	Polished Brass 5" Square						29.00

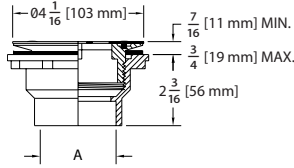


## FD2260 SHOWER STALL DRAIN



- Recommended for molded shower stalls where the drain body is installed on the pipe before the shower unit is permanently placed.
- Drain is furnished with a stainless steel strainer.

BODY TYPE	MODEL NUMBER	DIM. IN INCHES [MM]		APPROX. WT. LB [KG]	BOX QTY.	LIST PRICE EACH
		A				
<b>Stainless Steel Strainer</b>						
PVC	FD2260-PV2	2" [51 mm] Solvent Weld		4 lb [2 kg]	20	14.50
ABS	FD2260-AB2	2" [51 mm] Solvent Weld		4 lb [2 kg]	20	14.50



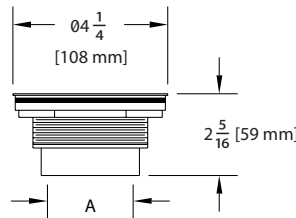
SUFFIX	DESCRIPTION	ADD
-VP	Vandal Proof	5.50

## FD2270 SOLVENT WELD SHOWER STALL DRAIN



- Recommended for molded shower stalls where the drain is installed on the shower unit before it is placed.
- Drain is furnished with a stainless steel strainer and securing nut.

BODY TYPE	MODEL NUMBER	DIM. IN INCHES [MM]		APPROX. WT. LB [KG]	BOX QTY.	LIST PRICE EACH
		A				
<b>Stainless Steel Strainer</b>						
PVC	FD2270-PV2	2" [51 mm] Solvent Weld		4 lb [2 kg]	20	14.50
ABS	FD2270-AB2	2" [51 mm] Solvent Weld		4 lb [2 kg]	20	14.50

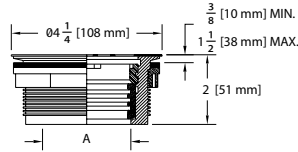


## FD2275 PVC OR ABS NO-CAULK SHOWER STALL DRAIN



BODY TYPE	MODEL NUMBER	DIM. IN INCHES [MM]		APPROX. WT. LB [KG]	BOX QTY.	LIST PRICE EACH
		A				
<b>Stainless Steel Strainer</b>						
PVC	FD2275-PV2	2" [51 mm]		4 lb [2 kg]	20	14.00
ABS	FD2275-AB2	2" [51 mm]		4 lb [2 kg]	20	14.00

- Recommended for molded shower stalls where the drain is installed on the shower unit before it is placed.
- Drain is furnished with a stainless steel strainer and securing nut.

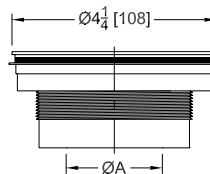


## FD2275 BRASS NO-CAULK SHOWER STALL DRAIN



CONNECTION TYPE	MODEL NUMBER	DIM. IN INCHES [MM]		APPROX. WT. LB [KG]	BOX QTY.	LIST PRICE EACH
		A				
<b>Stainless Steel Strainer</b>						
No-Caulk	FD2275-BR2	2" [51 mm]		4 lb [2 kg]	20	22.50

- Recommended for molded shower stalls where the drain is installed on the shower unit before it is placed.
- Drain is furnished with a stainless steel strainer and securing nut.

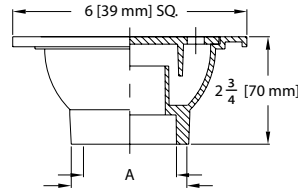


## FD2380 6" X 6" BELL TRAP DRAIN



- Recommended for unfinished areas; ideal for garage and basement.
- The PVC or ABS drain body is designed to fit over 2" [51 mm] or inside 3" [76 mm] Schedule 40 DWV pipe.

CONNECTION TYPE	MODEL NUMBER	DIM. IN INCHES [MM]		APPROX. WT. LB [KG]	BOX QTY.	LIST PRICE EACH
		A				
PVC	FD2380-PVC	2" [51 mm] x 3" [76 mm] Solvent Weld		4 lb [2 kg]	10	16.50

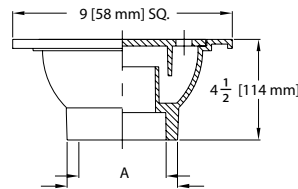


## FD2381 9" X 9" BELL TRAP DRAIN



- Recommended for unfinished areas, ideal for the garage and basement
- PVC or ABS drain body is designed to fit over 3" or inside 4" sched. 40 DWV pipe

BODY TYPE	PART NUMBER	DIM. IN INCHES [MM]		APPROX. WT. LB [KG]	LIST PRICE EACH
		A			
PVC	FD2381-PVC	3" [76 mm] x 4" [102 mm] PVC Solvent Weld		4 lb [2 kg]	22.50
ABS	FD2381-ABS	3" [76 mm] x 4" [102 mm] ABS Solvent Weld		4 lb [2 kg]	22.50



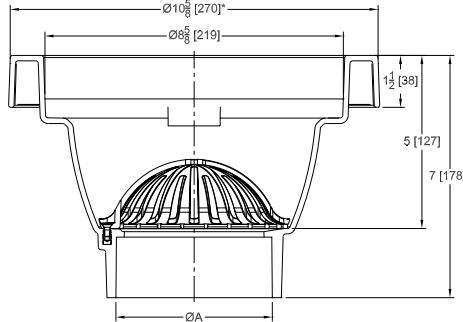


## FS8 PVC FLOOR SINK



BODY TYPE	MODEL NUMBER	DIM. IN INCHES [MM]		APPROX. WT. LB [KG]	BOX QTY.	LIST PRICE EACH	
		A	B				
PVC	FS8-5-PV2	2" [51 mm]	PVC Solvent Weld	7" [178 mm]	2 [0.9]	1	44.50
	FS8-5-PV3	3" [76 mm]	PVC Solvent Weld	7" [178 mm]	2 [0.9]	1	44.50
	FS8-5-PV4	4" [102 mm]	PVC Solvent Weld	7" [178 mm]	2 [0.9]	1	44.50

- Dome strainer comes secured to prevent debris from clogging pipe lines and prevents misplacement
- 1-1/2" lip allows for installation 1" above finished floor to protect against indirect waste if required by code
- Optional plastic sediment bucket is designed to fit with the dome strainer in place adding extra drain line protection



SUFFIX	DESCRIPTION	ADD
-F	Full Grate	26.50
-H	1/2 Grate	20.50
-NF	Full Nickel Bronze Grate* (light duty)	177.50
-NH	Half Nickel Bronze Grate*	141.50
-SF	Stainless Steel Full Grate*	241.00
-SH	Stainless Steel Half Grate*	172.50
-TSP	ZShield Z1072	POA
-Y	Plastic Sediment Bucket	7.50
-YS	Stainless Steel Mesh Bucket	20.00

\*Add 5/8 [16] to diameter and 7/16 [11] to overall height



-F Full Grate



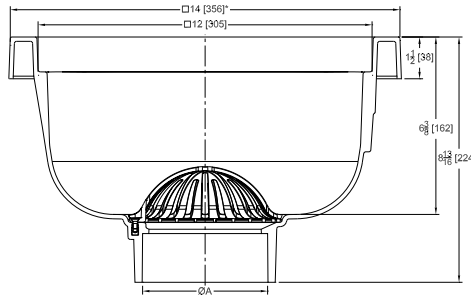
-H 1/2 Grate

## FS12 PVC FLOOR SINK



BODY TYPE	MODEL NUMBER	DIM. IN INCHES [MM]		APPROX. WT. LB [KG]	BOX QTY.	LIST PRICE EACH	
		A	B				
PVC	FS12-6-PV2	2" [51 mm]	PVC Solvent Weld	8-13/16" [224 mm]	4 [2]	1	53.50
	FS12-6-PV3	3" [76 mm]	PVC Solvent Weld	8-13/16" [224 mm]	4 [2]	1	53.50
	FS12-6-PV4	4" [102 mm]	PVC Solvent Weld	8-13/16" [224 mm]	4 [2]	1	53.50

- Dome strainer comes secured to prevent debris from clogging pipe lines and prevents misplacement
- 1-1/2" lip allows for installation 1" above finished floor to protect against indirect waste if required by code
- Optional plastic sediment bucket is designed to fit with the dome strainer in place adding extra drain line protection



SUFFIX	DESCRIPTION	ADD
-F	Full Grate	38.50
-H	1/2 Grate	26.00
-NF	Full Nickel Bronze Grate* (light duty)	401.50
-NH	Half Nickel Bronze Grate*	255.50
-SF	Stainless Steel Full Grate*	401.50
-SH	Stainless Steel Half Grate*	293.00
-TSP	ZShield Z1072	POA
-Y	Plastic Sediment Bucket	15.50
-YS	Stainless Steel Mesh Bucket	31.50

\*Add 17/32 [13] to square top and 9/16 [14] to overall height



-F Full Grate



-H 1/2 Grate

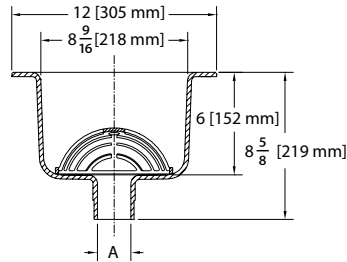


-Y Sediment Bucket

## FD2375 12" X 12" A.R.E. FLOOR SINK – 6" SUMP DEPTH

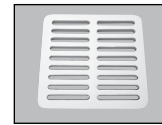


- Recommended for sanitary installations.
- Consists of a cast iron body with a white acid-resisting coating and a PVC anti-splash dome strainer.
- **Note:** Push-on connection available upon request.

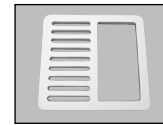


CONNECTION TYPE	MODEL NUMBER	DIM. IN INCHES [MM]		APPROX. WT. LB [KG]	BOX QTY.	LIST PRICE EACH
		A				
No-Hub	FD2375-NH2	2" [51 mm]		22 lb [10 kg]	1	94.00
	FD2375-NH3	3" [76 mm]		23 lb [10 kg]	1	94.00
	FD2375-NH4	4" [102 mm]		23 lb [10 kg]	1	94.00

SUFFIX	DESCRIPTION	ADD
-F	Full Grate	37.50
-H	1/2 Grate	37.50
-T	3/4 Grate	37.50
-Y	Sediment Bucket	68.00



-F Full Grate



-H 1/2 Grate

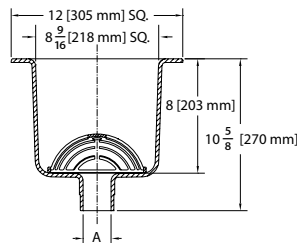


-T 3/4 Grate

## FD2376 12" X 12" A.R.E. FLOOR SINK – 8" SUMP DEPTH



- Recommended for sanitary installations.
- Consists of a cast iron body with a white acid-resisting coating and a PVC anti-splash dome strainer.
- **Note:** Push-on connection available upon request.



CONNECTION TYPE	MODEL NUMBER	DIM. IN INCHES [MM]		APPROX. WT. LB [KG]	BOX QTY.	LIST PRICE EACH
		A				
No-Hub	FD2376-NH2	2" [51 mm]		20 lb [10 kg]	1	135.00
	FD2376-NH3	3" [76 mm]		20 lb [10 kg]	1	135.00
	FD2376-NH4	4" [102 mm]		20 lb [10 kg]	1	135.00

SUFFIX	DESCRIPTION	ADD
-F	Full Grate	37.50
-H	1/2 Grate	37.50
-T	3/4 Grate	37.50
-Y	Sediment Bucket	68.00



-F Full Grate



-H 1/2 Grate

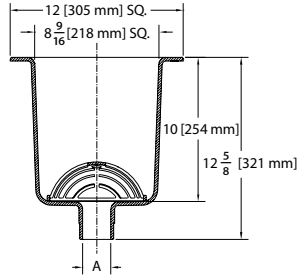


-T 3/4 Grate

## FD2377 12" X 12" A.R.E. FLOOR SINK - 10" SUMP DEPTH

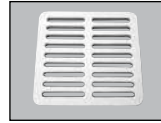


- Recommended for sanitary installations.
- Consists of a cast iron body with a white acid-resisting coating and a PVC anti-splash dome strainer.
- **Note:** Push-on connection available upon request.

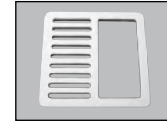


CONNECTION TYPE	MODEL NUMBER	DIM. IN INCHES [MM]		APPROX. WT. LB [KG]	BOX QTY.	LIST PRICE EACH
		A				
No-Hub	FD2377-NH2	2" [51 mm]		22 lb [10 kg]	1	195.00
	FD2377-NH3	3" [76 mm]		23 lb [10 kg]	1	195.00
	FD2377-NH4	4" [102 mm]		23 lb [10 kg]	1	195.00

SUFFIX	DESCRIPTION	ADD
-F	Full Grate	37.50
-H	1/2 Grate	37.50
-T	3/4 Grate	37.50
-Y	Sediment Bucket	68.00



-F Full Grate



-H 1/2 Grate

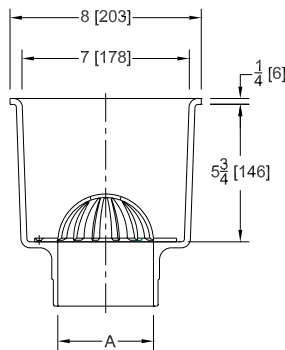


-T 3/4 Grate

## FD2378 8" X 8" A.R.E. FLOOR SINK - 6" SUMP DEPTH



- Recommended for sanitary installations.
- Consists of a cast iron body with a white acid-resisting coating and a PVC anti-splash dome strainer.
- **Note:** Push-on connection available upon request.



CONNECTION TYPE	MODEL NUMBER	DIM. IN INCHES [MM]		APPROX. WT. LB [KG]	BOX QTY.	LIST PRICE EACH
		A				
No-Hub	FD2378-NH2	2" [51 mm]		20 lb [10 kg]	1	115.50
	FD2378-NH3	3" [76 mm]		20 lb [10 kg]	1	115.50
	FD2378-NH4	4" [102 mm]		20 lb [10 kg]	1	115.50

SUFFIX	DESCRIPTION	ADD
-F	Full Grate	49.50
-H	1/2 Grate	49.50
-T	3/4 Grate	49.50
-Y	Sediment Bucket	51.50



-F Full Grate



-H 1/2 Grate



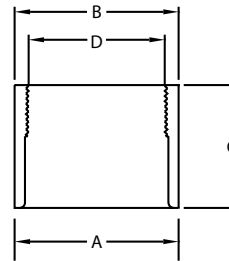
-T 3/4 Grate

## JP2210 PVC OR ABS DRAIN ADAPTOR – USED IN FD2208, FD2209, AND FD2210 MODELS



- Available in white PVC or black ABS.
- Integral FIP threads allow for strainer adjustability.
- Solvent weld connections.

BODY TYPE	PART NUMBER	DIM. IN INCHES [MM]				APPROX. WT. LB [KG]	LIST PRICE EACH
		A	B	C	D		
PVC	JP2210-PV2	2" PVC Hub [51 mm]	2-3/4" [70 mm]	1-3/4" [44 mm]	2" FIP	2 lb [1 kg]	10.00
	JP2210-PV3	3" PVC Hub [76 mm]	4" [102 mm]	3" [76 mm]	3" FIP	2 lb [1 kg]	14.00
	JP2210-PV4	4" PVC Hub [102 mm]	5" [127 mm]	3-1/2" [89 mm]	4" FIP	2 lb [1 kg]	22.50
ABS	JP2210-AB2	2" ABS Hub [51 mm]	2-3/4" [70 mm]	1-3/4" [44 mm]	2" FIP	2 lb [1 kg]	10.00
	JP2210-AB3	3" ABS Hub [76 mm]	4" [102 mm]	3" [76 mm]	3" FIP	2 lb [1 kg]	14.00
	JP2210-AB4	4" ABS Hub [102 mm]	5" [127 mm]	3-1/2" [89 mm]	4" FIP	2 lb [1 kg]	22.50

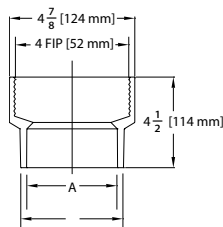


## JP2211 PVC OR ABS 3" X 4" DRAIN ADAPTOR – USED IN FD2211, FD2212, AND FD2213 MODELS



- Available in white PVC or black ABS.
- Versatile connection allows adaptor to fit over standard 3" [76 mm] pipe and inside 4" [102 mm].
- Solvent weld connection.
- FIP threads allow for strainer adjustability.

BODY TYPE	MODEL NUMBER	DIM. IN INCHES [MM]		APPROX. WT. LB [KG]	LIST PRICE EACH
		A			
PVC	JP2211-PVC-Body	3" [76 mm] x 4" [102 mm]		2 lb [1 kg]	28.00
ABS	JP2211-ABS-Body	3" [76 mm] x 4" [102 mm]		2 lb [1 kg]	28.00



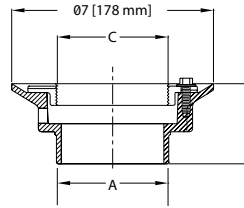
SUFFIX	DESCRIPTION	ADD
-P	1/2" [13 mm] Trap Primer Connection	13.50

## JP2321 LOW PROFILE CAST IRON DRAIN ADAPTOR WITH CLAMPING COLLAR – USED IN MODELS FD2321



- All cast iron drain adaptor available in no-hub, push-on, or IPS connection.
- FIP threaded clamp collar allows for strainer adjustability.
- Beveled drain body flange facilitates drainage.
- Integral trap primer port shipped tapped with plug.
- Generally used with waterproof membrane.
- Body has -P option.

CONNECTION TYPE	PART NUMBER	DIM. IN INCHES [MM]			APPROX. WT. LB [KG]	LIST PRICE EACH
		A	B	C		
No-Hub	JP2321-NH2-ASSY	2" [51 mm]	2- 1/2" [64 mm]	2" [51 mm], 3" [76 mm], or 3-1/2" [89 mm] FIP	4 lb [2 kg]	48.50
	JP2321-NH3-ASSY	3" [76 mm]	2- 1/2" [64 mm]	2" [51 mm], 3" [76 mm], or 3-1/2" [89 mm] FIP	4 lb [2 kg]	48.50
	JP2321-NH4-ASSY	4" [102 mm]	2- 1/2" [64 mm]	2" [51 mm], 3" [76 mm], or 3-1/2" [89 mm] FIP	4 lb [2 kg]	48.50
Push-On	JP2321-PO2-ASSY	2" [51 mm]	3-3/8" [85 mm]	2" [51 mm], 3" [76 mm], or 3-1/2" [89 mm] FIP	4 lb [2 kg]	54.00
	JP2321-PO3-ASSY	3" [76 mm]	4-3/8" [110 mm]	2" [51 mm], 3" [76 mm], or 3-1/2" [89 mm] FIP	4 lb [2 kg]	54.00
IPS	JP2321-IP2-ASSY	2" [51 mm]	2- 1/2" [64 mm]	2" [51 mm], 3" [76 mm], or 3-1/2" [89 mm] FIP	4 lb [2 kg]	48.50
	JP2321-IP3-ASSY	3" [76 mm]	2" [51 mm]	2" [51 mm], 3" [76 mm], or 3-1/2" [89 mm] FIP	4 lb [2 kg]	48.50

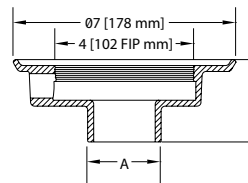


## JP2322 LOW PROFILE CAST IRON DRAIN ADAPTOR – USED IN FD2322 MODELS



- All cast iron body with integral FIP threads allow strainer adjustability.
- Available in either no-hub, push-on, or IPS connection.
- Integral trap primer port shipped tapped with plug.
- Generally used in non-membrane applications.
- Body has -P option.

CONNECTION TYPE	PART NUMBER	DIM. IN INCHES [MM]		APPROX. WT. LB [KG]	LIST PRICE EACH
		A	B		
No-Hub	JP2322-NH2-ASSY	2" [51 mm]	2- 1/2" [64 mm]	4 lb [2 kg]	43.50
	JP2322-NH3-ASSY	3" [76 mm]	2- 1/2" [64 mm]	4 lb [2 kg]	43.50
	JP2322-NH4-ASSY	4" [102 mm]	2- 1/2" [64 mm]	4 lb [2 kg]	43.50
Push-On	JP2322-PO2-ASSY	2" [51 mm]	3-3/8" [85 mm]	4 lb [2 kg]	49.00
	JP2322-PO3-ASSY	3" [76 mm]	4-3/8" [110 mm]	4 lb [2 kg]	49.00
IPS	JP2322-IP2-ASSY	2" [51 mm]	2- 1/2" [64 mm]	4 lb [2 kg]	49.00
	JP2322-IP3-ASSY	3" [76 mm]	2" [51 mm]	4 lb [2 kg]	49.00



# CLEANOUTS

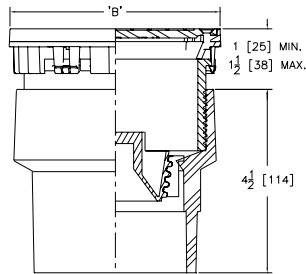
<b>CO</b> 3" X 4" ADJUSTABLE FINISHED AREA CLEANOUT	<b>38</b>
<b>CO1</b> ADJUSTABLE FLOOR CLEANOUT	<b>39</b>
<b>CO2</b> 5" TOP ASSEMBLY ADJUSTABLE FLOOR CLEANOUT WITH DECK PLATE	<b>40</b>
<b>CO2450</b> ADJUSTABLE FLOOR CLEANOUT	<b>41</b>
<b>CO2490</b> CLEANOUT PLUG – ABS OR PVC	<b>41</b>
<b>CO2521</b> FINISHED AREA FLOOR ACCESS HOUSING	<b>42</b>
<b>CO2530</b> ROUND ACCESS COVER	<b>42</b>

## CO 3" X 4" ADJUSTABLE FINISHED AREA CLEANOUT



- Recommended for finished areas.
- Cleanout is designed for foot traffic and light-duty applications.
- Furnished with a PVC or ABS body with an adjustable PVC head assembly, a nickel bronze, SS or DI, frame and cover, and an ABS tapered thread plug.
- Fits over 3" [76 mm] or inside 4" [102 mm] Schedule 40 DWV pipe.

BODY TYPE	MODEL NUMBER	DIM. IN INCHES [MM]		APPROX. WT. LB [KG]	STRAINER TYPE	BOX QTY.	LIST PRICE EACH
		A					
PVC	CO-PV3	3"	4"	5 lb [2 kg]	Nickel Bronze Round	8	69.50
	CO-PV3-R6	3"	4"	6 lb [3 kg]	Nickel Bronze Round	8	69.50
	CO-PV3-ST	3"	4"	5 lb [2 kg]	Nickel Bronze Square	8	88.00
	CO-PV3-S6	3"	4"	6 lb [3 kg]	Nickel Bronze Square	8	88.00
	CO-PV3-SS	3"	4"	5 lb [2 kg]	Stainless Steel Round	8	69.50
	CO-PV3-R6-SS	3"	4"	6 lb [3 kg]	Stainless Steel Round	8	69.50
	CO-PV3-ST-SS	3"	4"	5 lb [2 kg]	Stainless Steel Square	8	88.00
	CO-PV3-S6-SS	3"	4"	6 lb [3 kg]	Stainless Steel Square	8	88.00
	CO-PV3-DI	3"	4"	5 lb [2 kg]	Ductile Iron Round	8	41.00
	ABS	CO-AB3	3"	4"	5 lb [2 kg]	Nickel Bronze Round	8
CO-AB3-R6		3"	4"	6 lb [3 kg]	Nickel Bronze Round	8	69.50
CO-AB3-ST		3"	4"	5 lb [2 kg]	Nickel Bronze Square	8	88.00
CO-AB3-S6		3"	4"	6 lb [3 kg]	Nickel Bronze Square	8	88.00
CO-AB3-SS		3"	4"	5 lb [2 kg]	Stainless Steel Round	8	69.50
CO-AB3-R6-SS		3"	4"	6 lb [3 kg]	Stainless Steel Round	8	69.50
CO-AB3-ST-SS		3"	4"	5 lb [2 kg]	Stainless Steel Square	8	88.00
CO-AB3-S6-SS		3"	4"	6 lb [3 kg]	Stainless Steel Square	8	88.00
CO-AB3-DI		3"	4"	5 lb [2 kg]	Ductile Iron Round	8	41.00



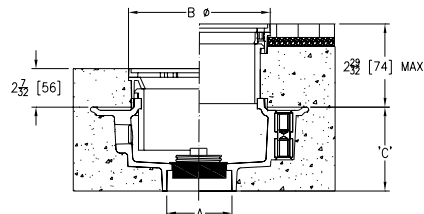
SUFFIX	DESCRIPTION	ADD
-CM	Carpet Marker	15.00
-VP	Vandal Proof	5.50

# CO1 ADJUSTABLE FLOOR CLEANOUT



- Adjustable cleanout with PVC, ABS or cast iron body with solvent weld, push on or no hub outs and gas tight churney plug.

BODY TYPE	MODEL NUMBER	DIM. IN INCHES [MM]			APPROX. WT. LB [KG]	STRAINER TYPE	BOX QTY.	LIST PRICE EACH
		A	B	C				
PVC	CO1-PV2	2" [51 mm] x 3" [76 mm]	Solvent Weld	5-3/16 [132]	3 [76]	4 lb [2 kg]	Nickel Bronze Round	1 102.00
	CO1-PV2-R6	2" [51 mm] x 3" [76 mm]	Solvent Weld	6 [152]	3 [76]	5 lb [2 kg]	Nickel Bronze Round	1 128.00
	CO1-PV2-SS	2" [51 mm] x 3" [76 mm]	Solvent Weld	5-3/16 [132]	3 [76]	4 lb [2 kg]	Stainless Steel Round	1 102.00
	CO1-PV2-R6-SS	2" [51 mm] x 3" [76 mm]	Solvent Weld	6 [152]	3 [76]	5 lb [2 kg]	Stainless Steel Round	1 128.00
	CO1-PV3	3" [76 mm] x 4" [102 mm]	Solvent Weld	5-3/16 [132]	3-3/4 [95]	4 lb [2 kg]	Nickel Bronze Round	1 102.00
	CO1-PV3-R6	3" [76 mm] x 4" [102 mm]	Solvent Weld	6 [152]	3-3/4 [95]	5 lb [2 kg]	Nickel Bronze Round	1 128.00
	CO1-PV3-SS	3" [76 mm] x 4" [102 mm]	Solvent Weld	5-3/16 [132]	3-3/4 [95]	4 lb [2 kg]	Stainless Steel Round	1 102.00
	CO1-PV3-R6-SS	3" [76 mm] x 4" [102 mm]	Solvent Weld	6 [152]	3-3/4 [95]	5 lb [2 kg]	Stainless Steel Round	1 128.00
	CO1-PV4	4" [102 mm]	Solvent Weld	5-3/16 [132]	4 [102]	4 lb [2 kg]	Nickel Bronze Round	1 102.00
	CO1-PV4-R6	4" [102 mm]	Solvent Weld	6 [152]	4 [102]	5 lb [2 kg]	Nickel Bronze Round	1 128.00
	CO1-PV4-SS	4" [102 mm]	Solvent Weld	5-3/16 [132]	4 [102]	4 lb [2 kg]	Stainless Steel Round	1 102.00
	CO1-PV4-R6-SS	4" [102 mm]	Solvent Weld	6 [152]	4 [102]	5 lb [2 kg]	Stainless Steel Round	1 128.00
ABS	CO1-AB2	2" [51 mm] x 3" [76 mm]	Solvent Weld	5-3/16 [132]	3 [76]	4 lb [2 kg]	Nickel Bronze Round	1 102.00
	CO1-AB2-R6	2" [51 mm] x 3" [76 mm]	Solvent Weld	6 [152]	3 [76]	5 lb [2 kg]	Nickel Bronze Round	1 128.00
	CO1-AB2-SS	2" [51 mm] x 3" [76 mm]	Solvent Weld	5-3/16 [132]	3 [76]	4 lb [2 kg]	Stainless Steel Round	1 102.00
	CO1-AB2-R6-SS	2" [51 mm] x 3" [76 mm]	Solvent Weld	6 [152]	3 [76]	5 lb [2 kg]	Stainless Steel Round	1 128.00
	CO1-AB3	3" [76 mm] x 4" [102 mm]	Solvent Weld	5-3/16 [132]	3-3/4 [95]	4 lb [2 kg]	Nickel Bronze Round	1 102.00
	CO1-AB3-R6	3" [76 mm] x 4" [102 mm]	Solvent Weld	6 [152]	3-3/4 [95]	5 lb [2 kg]	Nickel Bronze Round	1 128.00
	CO1-AB3-SS	3" [76 mm] x 4" [102 mm]	Solvent Weld	5-3/16 [132]	3-3/4 [95]	4 lb [2 kg]	Stainless Steel Round	1 102.00
	CO1-AB3-R6-SS	3" [76 mm] x 4" [102 mm]	Solvent Weld	6 [152]	3-3/4 [95]	5 lb [2 kg]	Stainless Steel Round	1 128.00
	CO1-AB4	4" [102 mm]	Solvent Weld	5-3/16 [132]	4 [102]	4 lb [2 kg]	Nickel Bronze Round	1 102.00
	CO1-AB4-R6	4" [102 mm]	Solvent Weld	6 [152]	4 [102]	5 lb [2 kg]	Nickel Bronze Round	1 128.00
	CO1-AB4-SS	4" [102 mm]	Solvent Weld	5-3/16 [132]	4 [102]	4 lb [2 kg]	Stainless Steel Round	1 102.00
	CO1-AB4-R6-SS	4" [102 mm]	Solvent Weld	6 [152]	4 [102]	5 lb [2 kg]	Stainless Steel Round	1 128.00
	CO1-PO2	2" [51 mm]		5-3/16 [132]	4 [102]	7 lb [3 kg]	Nickel Bronze Round	1 114.50
	CO1-PO2-R6	2" [51 mm]		6 [152]	4 [102]	8 lb [4 kg]	Nickel Bronze Round	1 141.00
	CO1-PO2-SS	2" [51 mm]		5-3/16 [132]	4 [102]	7 lb [3 kg]	Stainless Steel Round	1 114.50
	CO1-PO2-R6-SS	2" [51 mm]		6 [152]	4 [102]	8 lb [4 kg]	Stainless Steel Round	1 141.00
	CO1-PO3	3" [76 mm]		5-3/16 [132]	4 [102]	8 lb [4 kg]	Nickel Bronze Round	1 114.50
	CO1-PO3-R6	3" [76 mm]		6 [152]	4 [102]	9 lb [4 kg]	Nickel Bronze Round	1 141.00
	CO1-PO3-SS	3" [76 mm]		5-3/16 [132]	4 [102]	8 lb [4 kg]	Stainless Steel Round	1 114.50
	CO1-PO3-R6-SS	3" [76 mm]		6 [152]	4 [102]	9 lb [4 kg]	Stainless Steel Round	1 141.00
	CO1-PO4	4" [102 mm]		5-3/16 [132]	4 [102]	7 lb [3 kg]	Nickel Bronze Round	1 114.50
	CO1-PO4-R6	4" [102 mm]		6 [152]	4 [102]	8 lb [4 kg]	Nickel Bronze Round	1 141.00
	CO1-PO4-SS	4" [102 mm]		5-3/16 [132]	4 [102]	7 lb [3 kg]	Stainless Steel Round	1 114.50
	CO1-PO4-R6-SS	4" [102 mm]		6 [152]	4 [102]	8 lb [4 kg]	Stainless Steel Round	1 141.00
	CO1-NH2	2" [51 mm]		5-3/16 [132]	4 [102]	7 lb [3 kg]	Nickel Bronze Round	1 114.50
	CO1-NH2-R6	2" [51 mm]		6 [152]	4 [102]	8 lb [4 kg]	Nickel Bronze Round	1 141.00
	CO1-NH2-SS	2" [51 mm]		5-3/16 [132]	4 [102]	7 lb [3 kg]	Stainless Steel Round	1 114.50
	CO1-NH2-R6-SS	2" [51 mm]		6 [152]	4 [102]	8 lb [4 kg]	Stainless Steel Round	1 141.00
	CO1-NH3	3" [76 mm]		5-3/16 [132]	4 [102]	8 lb [4 kg]	Nickel Bronze Round	1 114.50
	CO1-NH3-R6	3" [76 mm]		6 [152]	4 [102]	9 lb [4 kg]	Nickel Bronze Round	1 141.00
	CO1-NH3-SS	3" [76 mm]		5-3/16 [132]	4 [102]	8 lb [4 kg]	Stainless Steel Round	1 114.50
	CO1-NH3-R6-SS	3" [76 mm]		6 [152]	4 [102]	9 lb [4 kg]	Stainless Steel Round	1 141.00
CO1-NH3-DI	3" [76 mm]		5-3/16 [132]	4 [102]	8 lb [4 kg]	Ductile Iron Round	1 126.00	
CO1-NH4	4" [102 mm]		5-3/16 [132]	4 [102]	7 lb [3 kg]	Nickel Bronze Round	1 114.50	
CO1-NH4-R6	4" [102 mm]		6 [152]	4 [102]	8 lb [4 kg]	Nickel Bronze Round	1 141.00	
CO1-NH4-SS	4" [102 mm]		5-3/16 [132]	4 [102]	7 lb [3 kg]	Stainless Steel Round	1 114.50	
CO1-NH4-R6-SS	4" [102 mm]		6 [152]	4 [102]	8 lb [4 kg]	Stainless Steel Round	1 141.00	



SUFFIX	DESCRIPTION	ADD
-VP	Vandal Proof	6.50

For additional product information, please visit [www.zurn.com](http://www.zurn.com)  
Patent [zurn.com/patents](http://zurn.com/patents)

EZ™ FLOOR DRAINS CLEANOUTS ROOF DRAINS HYDRANTS INTERCEPTORS BASINS & SINKS MISCELLANEOUS

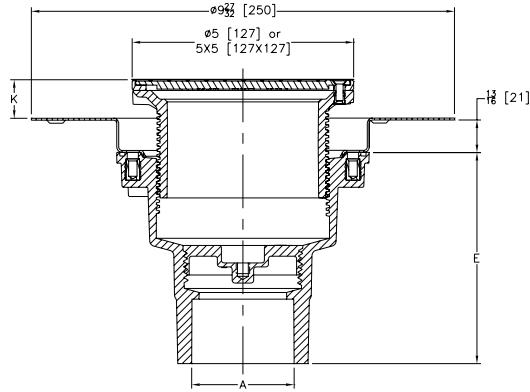


# CO2 5" TOP ASSEMBLY ADJUSTABLE FLOOR CLEANOUT WITH DECK PLATE



- Zurn CO2 Floor Cleanout PVC or ABS solvent weld body with gas and watertight cleanout plug, stainless steel deckplate, and top assembly.
- CO2 cleanout series is available with a square or round light duty cover in nickel bronze or stainless steel.
- Cleanout is designed in accordance with ASME A112.36.2M.

BODY TYPE	MODEL NUMBER	DIM. IN INCHES [MM]				APPROX. WT. LB [KG]	STRAINER TYPE	LIST PRICE EACH
		A	E	K				
PVC	C02-PV2	2-3 [51-76]	4-15/16 [125]	0	1-7/16 [37]	5 [2]	Round Nickel Bronze	64.50
	C02-PV3	3-4 [76-102]	3-25/32 [96]	0	1-7/16 [37]	5 [2]	Round Nickel Bronze	64.50
	C02-PV2-ST	2-3 [51-76]	4-15/16 [125]	7/16 [11]	1-11/16 [43]	6 [3]	Square Nickel Bronze	98.00
	C02-PV3-ST	3-4 [76-102]	3-25/32 [96]	7/16 [11]	1-11/16 [43]	6 [3]	Square Nickel Bronze	98.00
	C02-PV2-SS	2-3 [51-76]	4-15/16 [125]	0	1-7/16 [37]	5 [2]	Round Stainless Steel	64.50
	C02-PV3-SS	3-4 [76-102]	3-25/32 [96]	0	1-7/16 [37]	5 [2]	Round Stainless Steel	64.50
	C02-PV2-ST-SS	2-3 [51-76]	4-15/16 [125]	7/16 [11]	1-11/16 [43]	6 [3]	Square Stainless Steel	98.00
	C02-PV3-ST-SS	3-4 [76-102]	3-25/32 [96]	7/16 [11]	1-11/16 [43]	6 [3]	Square Stainless Steel	98.00
ABS	C02-AB2	2-3 [51-76]	4-15/16 [125]	0	1-7/16 [37]	5 [2]	Round Nickel Bronze	64.50
	C02-AB3	3-4 [76-102]	3-25/32 [96]	0	1-7/16 [37]	5 [2]	Round Nickel Bronze	64.50
	C02-AB2-ST	2-3 [51-76]	4-15/16 [125]	7/16 [11]	1-11/16 [43]	6 [3]	Square Nickel Bronze	98.00
	C02-AB3-ST	3-4 [76-102]	3-25/32 [96]	7/16 [11]	1-11/16 [43]	6 [3]	Square Nickel Bronze	98.00
	C02-AB2-SS	2-3 [51-76]	4-15/16 [125]	0	1-7/16 [37]	5 [2]	Round Stainless Steel	64.50
	C02-AB3-SS	3-4 [76-102]	3-25/32 [96]	0	1-7/16 [37]	5 [2]	Round Stainless Steel	64.50
	C02-AB2-ST-SS	2-3 [51-76]	4-15/16 [125]	7/16 [11]	1-11/16 [43]	6 [3]	Square Stainless Steel	98.00
	C02-AB3-ST-SS	3-4 [76-102]	3-25/32 [96]	7/16 [11]	1-11/16 [43]	6 [3]	Square Stainless Steel	98.00



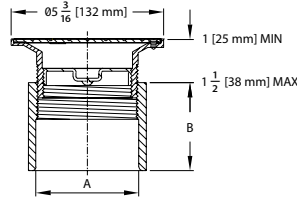
SUFFIX	DESCRIPTION	ADD
-CC	Stainless Steel Clamp Collar	17.00
-FI	Floor Insert (For Round Top Assembly Only)	22.50

## CO2450 ADJUSTABLE FLOOR CLEANOUT



- Recommended for foot traffic and medium-duty applications.
- Cleanout is furnished with a PVC or ABS body with an adjustable nickel top assembly and an ABS tapered thread plug.

BODY TYPE	MODEL NUMBER	DIM. IN INCHES [MM]		APPROX. WT. LB [KG]	BOX QTY.	LIST PRICE EACH
		A	B			
PVC	CO2450-PV2	2" [51 mm]	1-7/8" [48 mm]	4 lb [2 kg]	8	81.50
	CO2450-PV3	3" [76 mm]	3-5/16" [84 mm]	4 lb [2 kg]	8	81.50
	CO2450-PV4	4" [102 mm]	3-5/16" [84 mm]	4 lb [2 kg]	8	81.50
ABS	CO2450-AB2	2" [51 mm]	1-7/8" [48 mm]	4 lb [2 kg]	8	81.50
	CO2450-AB3	3" [76 mm]	3-5/16" [84 mm]	4 lb [2 kg]	8	81.50
	CO2450-AB4	4" [102 mm]	3-5/16" [84 mm]	4 lb [2 kg]	8	81.50



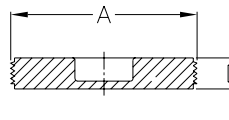
SUFFIX	DESCRIPTION	ADD
-CM	Carpet Marker	15.00
-VP	Vandal Proof	5.50

## CO2490 CLEANOUT PLUG - ABS OR PVC



- Countersunk cleanout plug.

BODY TYPE	MODEL NUMBER	DIM. IN INCHES [MM]		APPROX. WT. LB [KG]	BOX QTY.	LIST PRICE EACH
		A	D			
ABS	CO2490-A15	1-1/2" [38 mm] IP ABS Plug	9/16" [14 mm]	1 lb [1/2 kg]	25	4.00
	CO2490-AB2	2" [51 mm] IP ABS Plug	1/2" [13 mm]	1 lb [1/2 kg]	25	4.50
	CO2490-A25	2-1/2" [63 mm] IP ABS Plug	1/2" [13 mm]	1 lb [1/2 kg]	25	4.50
	CO2490-AB3	3" [76 mm] IP ABS Plug	3/4" [19 mm]	1 lb [1/2 kg]	25	5.00
	CO2490-A35	3-1/2" [89 mm] IP ABS Plug	3/4" [19 mm]	1 lb [1/2 kg]	25	5.50
	CO2490-AB4	4" [102 mm] IP ABS Plug	3/4" [19 mm]	1 lb [1/2 kg]	25	6.50
PVC	CO2490-P15	1-1/2" [38 mm] IP PVC Plug	9/16" [14 mm]	1 lb [1/2 kg]	25	4.00
	CO2490-PV2	2" [51 mm] IP PVC Plug	1/2" [13 mm]	1 lb [1/2 kg]	25	4.50
	CO2490-P25	2-1/2" [63 mm] IP PVC Plug	1/2" [13 mm]	1 lb [1/2 kg]	25	4.50
	CO2490-PV3	3" [76 mm] IP PVC Plug	3/4" [19 mm]	1 lb [1/2 kg]	25	5.00
	CO2490-P35	3-1/2" [89 mm] IP PVC Plug	3/4" [19 mm]	1 lb [1/2 kg]	25	5.50
	CO2490-PV4	4" [102 mm] IP PVC Plug	3/4" [19 mm]	1 lb [1/2 kg]	25	6.50

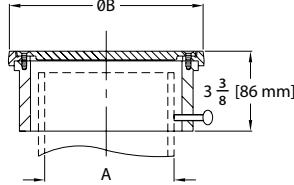


## CO2521 FINISHED AREA FLOOR ACCESS HOUSING



MODEL NUMBER	DIM. IN INCHES [MM]		APPROX. WT. LB [KG]	BOX QTY.	LIST PRICE EACH
	A	B			
C02521-3	3" [76 mm]	6-1/8" [156 mm]	3 lb [2 kg]	1	72.50
C02521-4	4" [102 mm]	7-1/4" [184 mm]	4 lb [2 kg]	1	92.50

- Recommended for foot traffic and light cart applications.
- Cast iron body and nickel scoriated top come complete with adjusting screws.



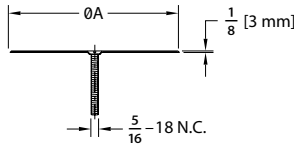
SUFFIX	DESCRIPTION	ADD
-VP	Vandal Proof	5.50

## CO2530 ROUND ACCESS COVER



MODEL NUMBER	DIM. IN INCHES [MM]		APPROX. WT. LB [KG]	BOX QTY.	LIST PRICE EACH
	A COVER DIAMETER	NOM. PIPE SIZE			
C02530-SS5	5" [127 mm]	2" [51 mm] - 3-1/2" [89 mm]	1 lb [1/2 kg]	25	10.00
C02530-SS7	7" [178 mm]	4" [102 mm] - 6-1/2" [165 mm]	2 lb [1 kg]	25	18.00

- Round stainless steel access cover comes complete with securing screw.



SUFFIX	DESCRIPTION	ADD
-VP	Vandal Proof	8.00

# ROOF DRAINS

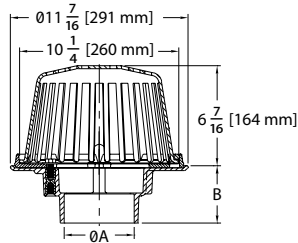
<b>RD2120</b> MAIN AREA ROOF DRAIN – PVC OR ABS	<b>44</b>
<b>RD2130</b> CAST IRON, COMBINATION ROOF DRAIN AND OVERFLOW	<b>44</b>
<b>RD2150</b> REPLACEMENT ROOF DRAIN	<b>45</b>
<b>RD2190</b> UNIVERSAL MEMBRANE CLAMP KIT	<b>45</b>

## RD2120 MAIN AREA ROOF DRAIN – PVC OR ABS



- Constructed of a heavy walled ABS or PVC, furnished with galvanized steel threaded inserts to accept securing bolts.
- Dura-Coated cast iron clamp device with integral gravel guard.
- Heavy-duty, high-impact, polyethylene dome strainer.

BODY TYPE	MODEL NUMBER	DIM. IN INCHES [MM]		APPROX. WT. LB [KG]	BOX QTY.	LIST PRICE EACH
		A	B			
PVC	RD2120-PV2	2" [51 mm]	2-31/32" [76 mm]	15 lb [7 kg]	1	103.00
	RD2120-PV3	3" [78 mm]	3-11/16" [94 mm]	15 lb [7 kg]	1	103.00
	RD2120-PV4	4" [102 mm]	3-13/16" [97 mm]	15 lb [7 kg]	1	103.00
ABS	RD2120-AB2	2" [51 mm]	2-31/32" [76 mm]	15 lb [7 kg]	1	103.00
	RD2120-AB3	3" [78 mm]	3-11/16" [94 mm]	15 lb [7 kg]	1	103.00
	RD2120-AB4	4" [102 mm]	3-13/16" [97 mm]	15 lb [7 kg]	1	103.00



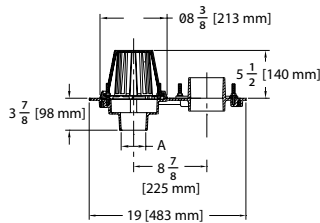
SUFFIX	DESCRIPTION	ADD
-AI	Aluminum Dome Strainer	35.50
-C	Underdeck Clamp	31.50
-CI	Cast Iron Dome Strainer Vandal Proof	60.50
-E	Extension Flange	34.50
-R	Roof Sump Receiver	36.50
-VP	Vandal-Proof Screws for Dome	5.50

## RD2130 CAST IRON, COMBINATION ROOF DRAIN AND OVERFLOW



- Constructed of a Dura-Coated cast iron body.
- Dura-Coated cast iron clamp device with integral gravel guard.
- Cast iron dome strainer comes standard.
- Overflow dome comes standard.

CONNECTION TYPE	MODEL NUMBER	DIM. IN INCHES [MM]		APPROX. WT. LB [KG]	BOX QTY.	LIST PRICE EACH
		A				
No-Hub	RD2130-NH2	2" [51 mm]		20 lb [10 kg]	1	112.50
	RD2130-NH3	3" [78 mm]		20 lb [10 kg]	1	112.50
	RD2130-NH4	4" [102 mm]		20 lb [10 kg]	1	112.50



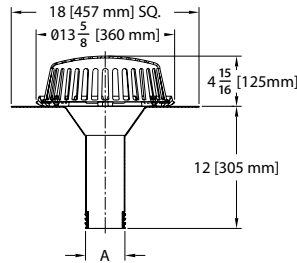
SUFFIX	DESCRIPTION	ADD
-C	Underdeck Clamp	75.00
-VP	Vandal-Proof Screws for Dome	5.50

## RD2150 REPLACEMENT ROOF DRAIN



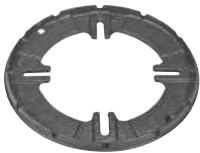
- Constructed of 16-gage, type 304 stainless steel.
- Dura-Coated, cast iron clamp device with integral gravel guard.
- Heavy-duty, Dura-Coated, cast iron dome strainer.
- Flat drain body available upon request.

MODEL NUMBER	DIM. IN INCHES [MM]		APPROX. WT. LB [KG]	BOX QTY.	LIST PRICE EACH
	A				
RD2150-SS3	3" [78 mm]		25 lb [12 kg]	1	306.00
RD2150-SS4	4" [102 mm]		25 lb [12 kg]	1	318.00
RD2150-SS5	5" [127 mm]		25 lb [12 kg]	1	372.50
RD2150-SS6	6" [150 mm]		25 lb [12 kg]	1	372.50



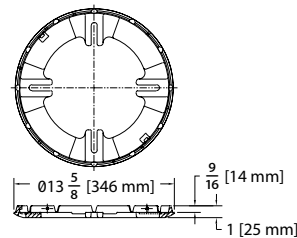
SUFFIX	DESCRIPTION	ADD
-AL	6" [152] High Aluminum Dome Strainer	73.00
-FS	Flat Sump Roof Drain Body (Contact Customer Care)	POA
-VP	Vandal-Proof Screws for Dome	5.50

## RD2190 UNIVERSAL MEMBRANE CLAMP KIT



- Dura-Coated cast iron clamp device with integral gravel guard.
- Fits bolt center radii of more common roof drain bodies 10"-15" [254mm-381mm] in diameter.
- Complete with mounting hardware and Toughnutz bolts.

MODEL NUMBER	DESCRIPTION	APPROX. WT. LB [KG]	BOX QTY.	LIST PRICE EACH
RD2190	Universal Membrane Clamp	6 lb [3 kg]	2	71.50



SUFFIX	DESCRIPTION	ADD
-DS	Dura-Coated Cast Iron Dome Strainer	62.50
-VP	Vandal-Proof Screws for Dome	29.00

# NOTES

EZ™

FLOOR DRAINS

CLEANOUTS

**ROOF DRAINS**

HYDRANTS

INTERCEPTORS

BASINS & SINKS

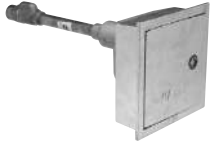
MISCELLANEOUS

# HYDRANTS

<b>Z1320-CXL</b> LEAD-FREE ECOLOTROL WALL HYDRANT	<b>48</b>	<b>Z1391</b> POST HYDRANT	<b>56</b>
<b>Z1320-CXL-BFP</b> LEAD-FREE ECOLOTROL WALL HYDRANT	<b>48</b>	<b>Z1396XL</b> LEAD-FREE YARD HYDRANT	<b>57</b>
<b>Z1321-CXL</b> LEAD-FREE ECOLOTROL WALL HYDRANT	<b>49</b>	<b>Z1399XL-BFP</b> LEAD-FREE BACKFLOW PREVENTER	<b>57</b>
<b>Z1330-C</b> MODERATE CLIMATE ECOLOTROL WALL HYDRANT	<b>49</b>	<b>Z1399-HG</b> HYDRANT GUARD	<b>57</b>
<b>Z1330-C-BFP</b> MODERATE CLIMATE ECOLOTROL WALL HYDRANT	<b>50</b>	<b>Z1399-HGS</b> HYDRANT GUARD STEM	<b>57</b>
<b>Z1333-C</b> MODERATE CLIMATE ECOLOTROL WALL HYDRANT	<b>50</b>	<b>Z1399XL-VB</b> VACUUM BREAKER	<b>58</b>
<b>Z1341XL</b> LEAD-FREE WALL FAUCET	<b>51</b>	<b>Z1320-CXL/Z1320-CXL-BFP/Z1321-CXL -</b> REPAIR KIT	<b>58</b>
<b>Z1341</b> WALL FAUCET BOX	<b>51</b>	<b>Z1330-C/Z1330-C-BFP/Z1333-C -</b> REPAIR KIT	<b>58</b>
<b>Z1343</b> LAWN FAUCET	<b>52</b>	<b>Z1341XL/Z1343</b> REPAIR KIT	<b>59</b>
<b>Z1344</b> WALL FAUCET	<b>52</b>	<b>Z1345</b> REPAIR KIT	<b>59</b>
<b>Z1345</b> WALL FAUCET	<b>53</b>	<b>Z1348</b> REPAIR KIT	<b>59</b>
<b>Z1346</b> WALL FAUCET	<b>54</b>	<b>Z1350</b> REPAIR KIT	<b>60</b>
<b>Z1348-BFP</b> WALL FAUCET	<b>55</b>	<b>Z1361</b> REPAIR KIT	<b>60</b>
<b>Z1349</b> NARROW WALL HYDRANT	<b>55</b>	<b>Z1396XL</b> REPAIR KIT	<b>60</b>
<b>Z1361</b> ENCASED GROUND HYDRANT	<b>56</b>		

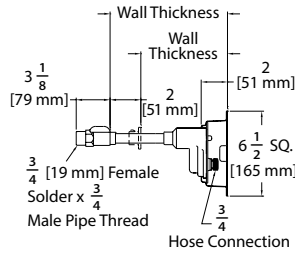


## Z1320-CXL LEAD-FREE ECOLOTROL WALL HYDRANT



- Encased, self-draining, non-freeze, anti-siphon wall hydrant with vandal-resistant integral vacuum breaker, and chrome-plated rough bronze box.
- Ideal for commercial applications such as office buildings, apartment complexes, malls and shopping centers, schools, churches, and industrial buildings.
- Standard inlet connection combination 3/4" female solder x 3/4" male pipe thread.

MODEL NUMBER	WALL THICKNESS IN INCHES [MM]	APPROX. WT. LB [KG]	LIST PRICE EACH
Z1320-CXL-6	6" [152 mm]	5 lb [2 kg]	414.00
Z1320-CXL-8	8" [203 mm]	5 lb [2 kg]	414.00
Z1320-CXL-10	10" [254 mm]	5 lb [2 kg]	414.00
Z1320-CXL-12	12" [305 mm]	6 lb [3 kg]	463.00
Z1320-CXL-14	14" [356 mm]	6 lb [3 kg]	463.00
Z1320-CXL-16	16" [406 mm]	6 lb [3 kg]	463.00
Z1320-CXL-18	18" [457 mm]	8 lb [4 kg]	478.00
Z1320-CXL-20	20" [508 mm]	8 lb [4 kg]	478.00
Z1320-CXL-22	22" [559 mm]	8 lb [4 kg]	478.00
Z1320-CXL-24	24" [610 mm]	8 lb [4 kg]	478.00



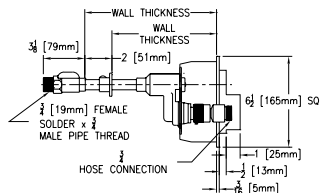
SUFFIX	DESCRIPTION	ADD
-CL	Cylinder Lock	47.50
-NB	Polished Nickel Bronze Box	80.50
-PB	Polished Bronze Box and Faceplate	80.50
-RA4	24" [610] Wall Rod Assembly with Repair Kit (-RK)	667.50
-RK	Hydrant Repair Kit (HYD-RK-Z1321-CXL)	65.50
-SS	Stainless Steel Box	N/C
-WC	Wall Clamp	N/C
-34EL	3/4" 90° Solder Inlet Elbow	27.50
-34FIP	3/4" IP Straight Female Inlet Adapter	27.50

## Z1320-CXL-BFP LEAD-FREE ECOLOTROL WALL HYDRANT



- Encased, self-draining, non-freeze, anti-siphon wall hydrant complete with hose connection backflow preventer, integral vacuum breaker, and chrome-plated rough cast bronze box.
- Ideal for commercial applications such as office buildings, apartment complexes, malls and shopping centers, schools, churches, and industrial buildings.
- Standard inlet connection combination 3/4" female solder x 3/4" male pipe thread.

MODEL NUMBER	WALL THICKNESS IN INCHES [MM]	APPROX. WT. LB [KG]	LIST PRICE EACH
Z1320-CXL-06-BFP	6" [152 mm]	5 lb [2 kg]	435.00
Z1320-CXL-08-BFP	8" [203 mm]	5 lb [2 kg]	435.00
Z1320-CXL-10-BFP	10" [254 mm]	5 lb [2 kg]	486.50
Z1320-CXL-12-BFP	12" [305 mm]	6 lb [3 kg]	486.50
Z1320-CXL-14-BFP	14" [356 mm]	6 lb [3 kg]	486.50
Z1320-CXL-16-BFP	16" [406 mm]	6 lb [3 kg]	486.50
Z1320-CXL-18-BFP	18" [457 mm]	8 lb [4 kg]	500.00
Z1320-CXL-20-BFP	20" [508 mm]	8 lb [4 kg]	500.00
Z1320-CXL-22-BFP	22" [559 mm]	8 lb [4 kg]	500.00
Z1320-CXL-24-BFP	24" [610 mm]	8 lb [4 kg]	500.00



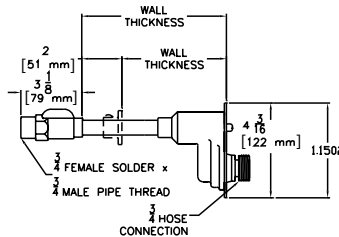
SUFFIX	DESCRIPTION	ADD
-CL	Cylinder Lock	47.50
-RA4	24" [610] Wall Rod Assembly with Repair Kit (-RK)	667.50
-RK	Hydrant Repair Kit (HYD-RK-Z1321-CXL)	65.50
-WC	Wall Clamp	N/C
-34EL	3/4" 90° Solder Inlet Elbow	27.50
-34FIP	3/4" IP Straight Female Inlet Adapter	27.50

## Z1321-CXL LEAD-FREE ECOLOTROL WALL HYDRANT



- Self-draining, non-freeze wall hydrant with vandal-resistant integral vacuum breaker.
- Ideal for commercial applications such as office buildings, apartment complexes, malls and shopping centers, schools, churches, and industrial buildings.
- Standard inlet connection combination 3/4" female solder x 3/4" male pipe thread.

MODEL NUMBER	WALL THICKNESS IN INCHES [MM]	APPROX. WT. LB [KG]	LIST PRICE EACH
Z1321-CXL-4	4" [102 mm]	3 lb [1 kg]	225.50
Z1321-CXL-6	6" [152 mm]	3 lb [1 kg]	225.50
Z1321-CXL-8	8" [203 mm]	3 lb [1 kg]	225.50
Z1321-CXL-10	10" [254 mm]	4 lb [2 kg]	238.50
Z1321-CXL-12	12" [305 mm]	4 lb [2 kg]	238.50
Z1321-CXL-14	14" [356 mm]	4 lb [2 kg]	238.50
Z1321-CXL-16	16" [406 mm]	4 lb [2 kg]	238.50
Z1321-CXL-18	18" [457 mm]	5 lb [2 kg]	255.00
Z1321-CXL-20	20" [508 mm]	5 lb [2 kg]	255.00
Z1321-CXL-22	22" [559 mm]	6 lb [3 kg]	255.00
Z1321-CXL-24	24" [610 mm]	6 lb [3 kg]	255.00



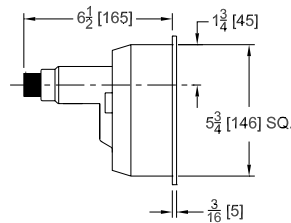
SUFFIX	DESCRIPTION	ADD
-AN	Angled Nozzle Hose Connection	N/C
-PB	Polished Bronze Box and Faceplate	51.00
-RK	Hydrant Repair Kit (HYD-RK-Z1321-CXL)	65.50
-WC	Wall Clamp	N/C
-34EL	3/4" 90° Solder Inlet Elbow	30.50
-34FIP	3/4" IP Straight Female Inlet Adapter	30.50

## Z1330-C MODERATE CLIMATE ECOLOTROL WALL HYDRANT



- Self-draining wall hydrant, vandal-resistant integral vacuum breaker, and chrome-plated rough bronze box.
- Designed for commercial applications in moderate climate areas.
- Ideal for office buildings, apartment complexes, malls and shopping centers, schools, churches, and industrial buildings.
- Stainless steel face plate
- Standard inlet connection combination 3/4" female solder x 3/4" male pipe thread.

MODEL NUMBER	WALL THICKNESS IN INCHES [MM]	APPROX. WT. LB [KG]	LIST PRICE EACH
Z1330-C	6" [152 mm]	6 lb [3 kg]	268.50



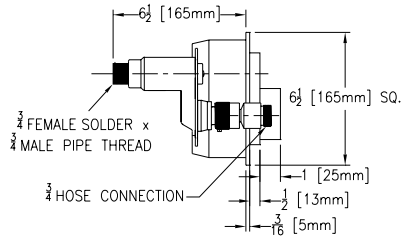
SUFFIX	DESCRIPTION	ADD
-CL	Cylinder Lock	47.50
-NB	Polished Nickel Bronze Box	73.00
-PB	Polished Bronze Box and Faceplate	73.00
-RK	Hydrant Repair Kit (HYD-RK-Z1330-C/33-C)	67.50
-SS	Stainless Steel Box	N/C
-34EL	3/4" 90° Solder Inlet Elbow	27.50
-34FIP	3/4" IP Straight Female Inlet Adapter	27.50

## Z1330-C-BFP MODERATE CLIMATE ECOLOTROL WALL HYDRANT



- Encased, self-draining, anti-siphon wall hydrant for moderate climate and interior wall installation. Complete with hose connection backflow preventer and integral vacuum breaker.
- Ideal for office buildings, apartment complexes, malls and shopping centers, schools, churches, and industrial buildings.
- Standard inlet connection combination 3/4" female solder x 3/4" male pipe thread.

MODEL NUMBER	WALL THICKNESS IN INCHES [MM]	APPROX. WT. LB [KG]	LIST PRICE EACH
Z1330-C-BFP	6-1/2" [165 mm]	6 lb [3 kg]	281.00



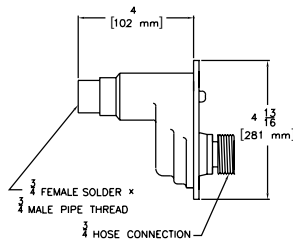
SUFFIX	DESCRIPTION	ADD
-CL	Cylinder Lock	47.50
-RK	Hydrant Repair Kit (HYD-RK-Z1330-C/33-C)	67.50
-34EL	3/4" 90° Solder Inlet Elbow	27.50
-34FIP	3/4" IP Straight Female Inlet Adapter	27.50

## Z1333-C MODERATE CLIMATE ECOLOTROL WALL HYDRANT



- Self-draining wall hydrant with vandal-resistant integral vacuum breaker.
- Designed for commercial applications in moderate climate areas.
- Ideal for office buildings, apartment complexes, malls and shopping centers, schools, churches, and industrial buildings.
- Stainless steel face plate
- Standard inlet connection combination 3/4" female solder x 3/4" male pipe thread.

MODEL NUMBER	WALL THICKNESS IN INCHES [MM]	APPROX. WT. LB [KG]	LIST PRICE EACH
Z1333-C	4" [102 mm]	3 lb [1 kg]	117.00

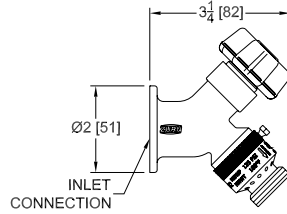


SUFFIX	DESCRIPTION	ADD
-PB	Polished Bronze Faceplate	73.00
-RK	Hydrant Repair Kit (HYR-RK-Z1330-C/33-C)	67.50
-34EL	3/4" 90° Solder Inlet Elbow	27.50
-34FIP	3/4" IP Straight Female Inlet Adapter	27.50

## Z1341XL LEAD-FREE WALL FAUCET



- This rough-bronze wall faucet is designed for moderate climate areas.
- Ideal for residential and commercial drainage applications.
- Provided with ASSE 1011 external vacuumbreaker and loose key.



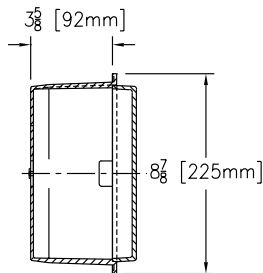
MODEL NUMBER	INLET DESCRIPTION INCHES [MM]	APPROX. WT. LB [KG]	BOX QTY.	LIST PRICE EACH
Z1341XL-C12	1/2" Solder x 3/4" Solder	2 lb [1 kg]	24	57.00
Z1341XL-C12-PX	1/2" [13 mm] PEX	2 lb [1 kg]	24	57.00
Z1341XL-CP12	1/2" Solder x 1/2" MPT	2 lb [1 kg]	24	57.00
Z1341XL-P12	1/2" FPT	2 lb [1 kg]	24	57.00
Z1341XL-P34	3/4" FPT	2 lb [1 kg]	24	57.00

SUFFIX	DESCRIPTION	ADD
-PB	Polished Bronze Finish	25.50
-PC	Polished Chrome Finish	25.50
-RC	Rough Chrome Finish	12.50
-RK	Faucet Repair Kit (HYD-RK-Z1341XL)	24.00

## Z1341 WALL FAUCET BOX



- Chrome-plated rough cast bronze box and hinged cover with loose key included



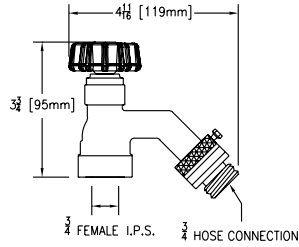
PART NUMBER	DIM. IN INCHES [MM]	APPROX. WT. LB [KG]	BOX QTY.	LIST PRICE EACH
Z1341-BOX	8-7/8" [225 mm] x 3-5/8" [92 mm]	8 lb [4 kg]	1	268.50

SUFFIX	DESCRIPTION	ADD
-CL	Cylinder Lock	47.50

## Z1343 LAWN FAUCET



- This rough-bronze lawn faucet is designed for moderate climate areas.
- Ideal for use in lawn, garden, and other residential and commercial drainage applications.
- Provided with ASSE 1011 external vacuumbreaker and loose key.
- Standard inlet connection 3/4" [19mm] female pipe thread.
- Vacuum breaker approved under: IAPMO, cUPC, and ASSE 1011 listed.



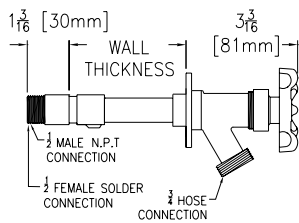
SUFFIX	DESCRIPTION	ADD
-PB	Polished Bronze Finish	22.50
-PC	Polished Chrome Finish	22.50
-RC	Rough Chrome Finish	11.50
-RK	Faucet Repair Kit (HYD-RK-Z1341XL)	24.00

## Z1344 WALL FAUCET



- Recommended for commercial drainage and residential installations.
- Ideal for gas stations, convenience stores, strip malls, churches, and other commercial drainage applications.
- Standard inlet connection combination 1/2" female solder x 1/2" male IP.
- -PX inlet configuration is 1/2" PEX tube fitting.
- -CP3 inlet configuration combination is 3/4" male pipe thread x 3/4" female sweat.

MODEL NUMBER	WALL THICKNESS IN INCHES [MM]	APPROX. WT. LB [KG]	LIST PRICE EACH
Z1344-04	4" [102 mm]	3 lb [1 kg]	42.00
Z1344-06	6" [152 mm]	3 lb [1 kg]	44.50
Z1344-08	8" [203 mm]	3 lb [1 kg]	47.50
Z1344-10	10" [254 mm]	4 lb [1 kg]	49.50
Z1344-12	12" [305 mm]	4 lb [1 kg]	52.00
Z1344-04-PX	4" [102 mm]	3 lb [1 kg]	42.00
Z1344-06-PX	6" [152 mm]	3 lb [1 kg]	44.50
Z1344-08-PX	8" [203 mm]	3 lb [1 kg]	47.50
Z1344-10-PX	10" [254 mm]	4 lb [1 kg]	49.50
Z1344-12-PX	12" [305 mm]	4 lb [1 kg]	52.00
Z1344-04-CP3	4" [102 mm]	3 lb [1 kg]	44.00
Z1344-06-CP3	6" [152 mm]	3 lb [1 kg]	47.00
Z1344-08-CP3	8" [203 mm]	3 lb [1 kg]	49.00
Z1344-10-CP3	10" [254 mm]	4 lb [1 kg]	51.50
Z1344-12-CP3	12" [305 mm]	4 lb [1 kg]	54.50



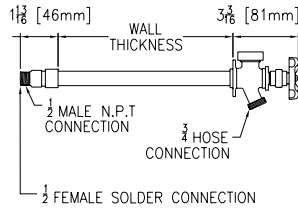
SUFFIX	DESCRIPTION	ADD
-VB	Vacuum Breaker	24.00

# Z1345 WALL FAUCET



- This commercial drainage/residential wall faucet with integral vacuum breaker is designed for gas stations, convenience stores, strip malls, churches, and other commercial drainage applications.
- To assure drainage, turn faucet handle to close position and detach hose from spout during freezing weather. If hose is left attached, the frost-proof hydrant cannot drain properly and trapped water may freeze and damage the hydrant.
- Standard inlet connection combination 1/2" female solder x 1/2" male IP.
- -PX inlet configuration is 1/2" PEX tube fitting.
- -CP3 inlet configuration combination is 3/4" male pipe thread x 3/4" female sweat.

MODEL NUMBER	WALL THICKNESS IN INCHES [MM]	APPROX. WT. LB [KG]	LIST PRICE EACH
Z1345-04	4" [102 mm]	3 lb [1 kg]	42.00
Z1345-06	6" [152 mm]	3 lb [1 kg]	44.50
Z1345-08	8" [203 mm]	3 lb [1 kg]	47.50
Z1345-10	10" [254 mm]	4 lb [2 kg]	49.50
Z1345-12	12" [305 mm]	4 lb [2 kg]	51.50
Z1345-14	14" [356 mm]	4 lb [2 kg]	57.50
Z1345-04-PX	4" [102 mm]	3 lb [1 kg]	42.00
Z1345-06-PX	6" [152 mm]	3 lb [1 kg]	44.50
Z1345-08-PX	8" [203 mm]	3 lb [1 kg]	47.50
Z1345-10-PX	10" [254 mm]	4 lb [2 kg]	49.50
Z1345-12-PX	12" [305 mm]	4 lb [2 kg]	51.50
Z1345-14-PX	14" [356 mm]	4 lb [2 kg]	57.50
Z1345-04-CP3	4" [102 mm]	3 lb [1 kg]	46.00
Z1345-06-CP3	6" [152 mm]	3 lb [1 kg]	47.00
Z1345-08-CP3	8" [203 mm]	3 lb [1 kg]	49.00
Z1345-10-CP3	10" [254 mm]	4 lb [2 kg]	51.00
Z1345-12-CP3	12" [305 mm]	4 lb [2 kg]	53.50
Z1345-14-CP3	14" [356 mm]	4 lb [2 kg]	59.00



SUFFIX	DESCRIPTION	ADD
-HG	Hydrant Guard	70.00
-HGS	Hydrant Guard Stem	70.00
-RK	Faucet Repair Kit (HYD-RK-Z1345)	25.50

# Z1346 WALL FAUCET

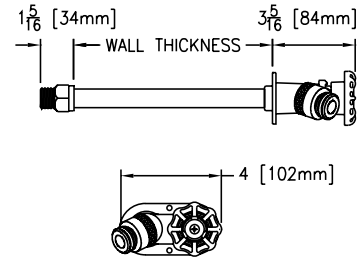


- Self-draining wall hydrant with vandal-resistant integral vacuum breaker is designed for commercial applications in moderate climate areas.
- Ideal for office buildings, apartment complexes, malls and shopping centers, schools, churches, and industrial buildings.



MODEL NUMBER	WALL THICKNESS IN INCHES [MM]	APPROX. WT. LB [KG]	LIST PRICE EACH
Z1346-04	4" [102 mm]	3 lb [1 kg]	89.50
Z1346-06	6" [152 mm]	3 lb [1 kg]	92.00
Z1346-08	8" [203 mm]	3 lb [1 kg]	94.50
Z1346-10	10" [254 mm]	4 lb [2 kg]	97.50
Z1346-12	12" [305 mm]	4 lb [2 kg]	101.00
Z1346-14	14" [356 mm]	4 lb [2 kg]	103.00
Z1346-16	16" [406 mm]	4 lb [2 kg]	106.50
Z1346-18	18" [457 mm]	5 lb [2 kg]	108.50
Z1346-20	20" [508 mm]	5 lb [2 kg]	111.50
Z1346-22	22" [559 mm]	6 lb [3 kg]	114.00
Z1346-24	24" [610 mm]	7 lb [3 kg]	117.00
Z1346-04-PX	4" [102 mm]	3 lb [1 kg]	89.50
Z1346-06-PX	6" [152 mm]	3 lb [1 kg]	92.00
Z1346-08-PX	8" [203 mm]	3 lb [1 kg]	94.50
Z1346-10-PX	10" [254 mm]	4 lb [2 kg]	97.50
Z1346-12-PX	12" [305 mm]	4 lb [2 kg]	101.00
Z1346-14-PX	14" [356 mm]	4 lb [2 kg]	103.00
Z1346-16-PX	16" [406 mm]	4 lb [2 kg]	106.50
Z1346-18-PX	18" [457 mm]	5 lb [2 kg]	108.50
Z1346-20-PX	20" [508 mm]	5 lb [2 kg]	111.50
Z1346-22-PX	22" [559 mm]	6 lb [3 kg]	114.00
Z1346-24-PX	24" [610 mm]	7 lb [3 kg]	117.00

MODEL NUMBER	WALL THICKNESS IN INCHES [MM]	APPROX. WT. LBS. [KG]	LIST PRICE EACH
Z1346-04-CP3	4" [102 mm]	3 lb [1 kg]	93.50
Z1346-06-CP3	6" [152 mm]	3 lb [1 kg]	96.50
Z1346-08-CP3	8" [203 mm]	3 lb [1 kg]	98.50
Z1346-10-CP3	10" [254 mm]	4 lb [2 kg]	102.00
Z1346-12-CP3	12" [305 mm]	4 lb [2 kg]	108.50
Z1346-14-CP3	14" [356 mm]	4 lb [2 kg]	112.00
Z1346-16-CP3	16" [406 mm]	4 lb [2 kg]	114.00
Z1346-18-CP3	18" [457 mm]	5 lb [2 kg]	117.00
Z1346-20-CP3	20" [508 mm]	5 lb [2 kg]	120.00
Z1346-22-CP3	22" [559 mm]	6 lb [3 kg]	123.00
Z1346-24-CP3	24" [610 mm]	7 lb [3 kg]	125.00



EZ1™  
 FLOOR DRAINS  
 CLEANOUTS  
 ROOF DRAINS  
 HYDRANTS  
 INTERCEPTORS  
 BASINS & SINKS  
 MISCELLANEOUS

## Z1348-BFP WALL FAUCET



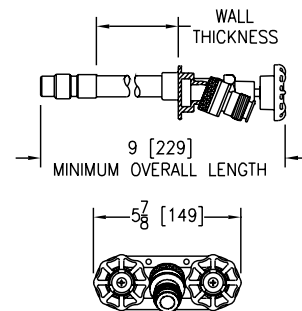
- Standard inlet connection combination 1/2" female solder x 1/2" male IP.
- -PX inlet configuration is 1/2" PEX tube fitting.
- -CP3 inlet configuration combination is 3/4" male pipe thread x 3/4" female sweat.
- Backflow preventer approved under: ASSE 1052 listed.

- Light commercial/residential exposed, non-freeze, dual hot and cold wall faucet with an external, automatic draining backflow preventer. It is ideal for applications such as residential homes, apartment complexes, gas stations, convenience stores, strip malls, churches, and other commercial drainage applications.
- To assure drainage, turn faucet handle to close position and detach hose from spout during freezing weather. If hose is left attached, the frost-proof hydrant cannot drain properly and trapped water may freeze and damage the hydrant.

MODEL NUMBER	WALL THICKNESS IN INCHES [MM]	LIST PRICE EACH
Z1348-BFP-04	4" [102 mm]	141.00
Z1348-BFP-06	6" [152 mm]	146.50
Z1348-BFP-08	8" [203 mm]	151.00
Z1348-BFP-10	10" [254 mm]	156.50
Z1348-BFP-12	12" [305 mm]	162.00
Z1348-BFP-14	14" [356 mm]	167.50
Z1348-BFP-16	16" [406 mm]	178.00
Z1348-BFP-18	18" [457 mm]	180.00
Z1348-BFP-20	20" [508 mm]	183.00
Z1348-BFP-22	22" [559 mm]	188.50
Z1348-BFP-24	24" [610 mm]	193.50
Z1348-BFP-04-PX	4" [102 mm]	141.00
Z1348-BFP-06-PX	6" [152 mm]	146.50
Z1348-BFP-08-PX	8" [203 mm]	151.00
Z1348-BFP-10-PX	10" [254 mm]	156.50
Z1348-BFP-12-PX	12" [305 mm]	162.00
Z1348-BFP-14-PX	14" [356 mm]	167.50
Z1348-BFP-16-PX	16" [406 mm]	178.00
Z1348-BFP-18-PX	18" [457 mm]	180.00
Z1348-BFP-20-PX	20" [508 mm]	183.00
Z1348-BFP-22-PX	22" [559 mm]	188.50
Z1348-BFP-24-PX	24" [610 mm]	193.50

MODEL NUMBER	WALL THICKNESS IN INCHES [MM]	LIST PRICE EACH
Z1348-BFP-04-CP3	4" [102 mm]	143.50
Z1348-BFP-06-CP3	6" [152 mm]	149.50
Z1348-BFP-08-CP3	8" [203 mm]	154.00
Z1348-BFP-10-CP3	10" [254 mm]	160.50
Z1348-BFP-12-CP3	12" [305 mm]	165.00
Z1348-BFP-14-CP3	14" [356 mm]	170.50
Z1348-BFP-16-CP3	16" [406 mm]	181.00
Z1348-BFP-18-CP3	18" [457 mm]	182.50
Z1348-BFP-20-CP3	20" [508 mm]	186.00
Z1348-BFP-22-CP3	22" [559 mm]	191.50
Z1348-BFP-24-CP3	24" [610 mm]	196.00

SUFFIX	DESCRIPTION	ADD
-RK	Faucet Repair Kit (HYD-RK-Z1348)	35.50

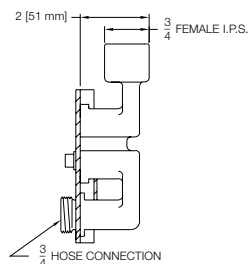


## Z1349 NARROW WALL HYDRANT



- This bronze, narrow wall hydrant is designed for moderate climate areas.
- All-bronze body fits within a wall thickness of 4 inches.
- Ideal for commercial applications.
- Standard inlet connection 3/4" female IP.
- Approved under: City of LA listed.

MODEL NUMBER	CONNECTION DESCRIPTION INCHES [MM]	APPROX. WT. LB [KG]	BOX QTY.	LIST PRICE EACH
Z1349	3/4" Hose Connection	2 lb [1 kg]	4	197.00



SUFFIX	DESCRIPTION	ADD
-RK	Hydrant Repair Kit (HYD-RK-Z1350)	62.50
-VB	Vacuum Breaker	28.00

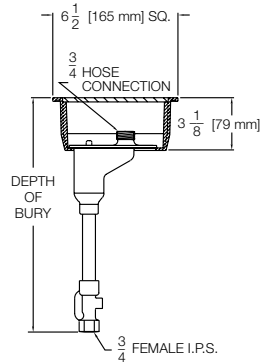


## Z1361 ENCASED GROUND HYDRANT



MODEL NUMBER	DEPTH OF BURY (FT. [CM])	APPROX. WT. LB [KG]	LIST PRICE EACH
Z1361-02	2' [61 cm]	17 lb [8kg]	631.50
Z1361-03	3' [91 cm]	21 lb [10 kg]	641.50
Z1361-04	4' [122 cm]	25 lb [11 kg]	650.50
Z1361-05	5' [152 cm]	33 lb [15 kg]	661.50
Z1361-06	6' [183 cm]	39 lb [18 kg]	672.00
Z1361-07	7' [213 cm]	43 lb [20 kg]	682.50
Z1361-08	8' [244 cm]	47 lb [21 kg]	693.00

- This scoriated, encased, chrome-finished, non-freeze ground hydrant is designed to be installed flush with grade or finished floor.
- Ideal for golf courses, parks and recreational areas, lawn and garden care, and other landscape needs.
- Standard inlet connection 3/4" female I.P.S.
- 3/4" female hose connection.



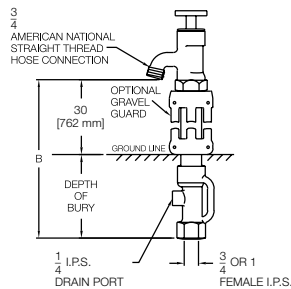
SUFFIX	DESCRIPTION	ADD
-CL	Cylinder Lock	47.50
-RK	Hydrant Repair Kit (HYD-RK-Z1360-70-85)	77.00
-VB	3/4" Adapter Vacuum Breaker	28.00

## Z1391 POST HYDRANT



MODEL NUMBER	DEPTH OF BURY (FT. [CM])	APPROX. WT. LB [KG]	LIST PRICE EACH
Z1391-02	2' [61 cm]	25 lb [11 kg]	338.50
Z1391-03	3' [91 cm]	29 lb [13 kg]	349.00
Z1391-04	4' [122 cm]	33 lb [15 kg]	359.00
Z1391-05	5' [152 cm]	37 lb [17 kg]	369.50
Z1391-06	6' [183 cm]	41 lb [19 kg]	380.50
Z1391-07	7' [213 cm]	45 lb [20 kg]	390.50
Z1391-08	8' [244 cm]	49 lb [22 kg]	390.50

- This non-freeze post hydrant is designed for golf courses, parks and recreational areas, lawn and garden care, and other landscape needs.
- Standard inlet connection 3/4" female I.P.S.
- 3/4" female hose connection.



SUFFIX	DESCRIPTION	ADD
-AC	Aluminum Casing Guard	132.00
-HG	Hydrant Guard	70.00
-VB	3/4" Adapter Vacuum Breaker	28.00
-WH	Wheel Handle	27.50

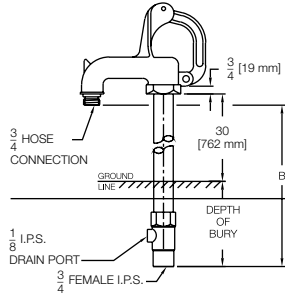
## Z1396XL LEAD-FREE YARD HYDRANT



XL LEAD FREE

- This non-freeze yard hydrant is designed for irrigational applications where immediate water flow, even in sub-zero degree temperatures, is necessary.
- Standard inlet connection 3/4" female I.P.S.
- 3/4" female hose connection.

MODEL NUMBER	DEPTH OF BURY (FT. [CM])	APPROX. WT. LB [KG]	LIST PRICE EACH
Z1396XL-3/4x2	2' [61 cm]	15 lb [7 kg]	116.50
Z1396XL-3/4x3	3' [91 cm]	19 lb [9 kg]	124.50
Z1396XL-3/4x4	4' [122 cm]	23 lb [10 kg]	132.00
Z1396XL-3/4x5	5' [152 cm]	27 lb [12 kg]	139.50
Z1396XL-3/4x6	6' [183 cm]	31 lb [14 kg]	146.00
Z1396XL-3/4x8	8' [244 cm]	39 lb [18 kg]	153.50



SUFFIX	DESCRIPTION	ADD
-AC	Aluminum Casing Guard	132.00
-RK	Hydrant Repair Kit (HYD-RK-Z1395XL)	32.50
-VB	3/4" Adapter Vacuum Breaker	30.50

## Z1399XL-BFP LEAD-FREE BACKFLOW PREVENTER



XL LEAD FREE



MODEL NUMBER	DESCRIPTION	APPROX. WT. LB [KG]	BOX QUANTITY	LIST PRICE EACH
Z1399XL-BFP	3/4" Hose Connection	1.5 lb [0.5 kg]	25	92.50

- Stainless Steel finish standard.
- Approved under: ASSE 1052 listed.
- For use with all Commercial Drainage hydrants and faucets, excluding Z1348-BFP.

## Z1399-HG HYDRANT GUARD



MODEL NUMBER	DESCRIPTION	APPROX. WT. LB [KG]	LIST PRICE EACH
Z1399-HG	Hydrant Guard	1 lb [0.5 kg]	56.50

## Z1399-HGS HYDRANT GUARD STEM



MODEL NUMBER	DESCRIPTION	APPROX. WT. LB [KG]	LIST PRICE EACH
Z1399-HGS	Hydrant Guard Stem	2 lb [1 kg]	56.50

## Z1399XL-VB VACUUM BREAKER



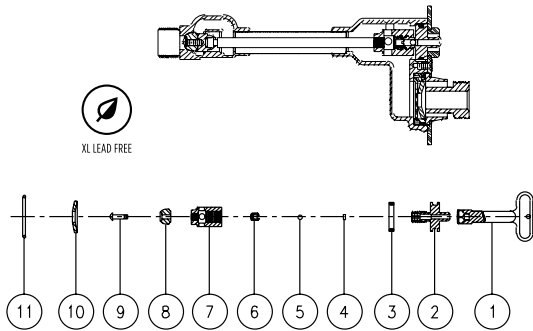
### For Non-Freeze Areas

MODEL NUMBER	DESCRIPTION	APPROX. WT. LB [KG]	BOX QTY.	LIST PRICE EACH
Z1399XL-VB	3/4" Hose Connection	1 lb [0.5 kg]	25	26.50

- Stainless Steel finish standard.
- Approved under: IAPMO, cUPC, and ASSE 1011 listed.



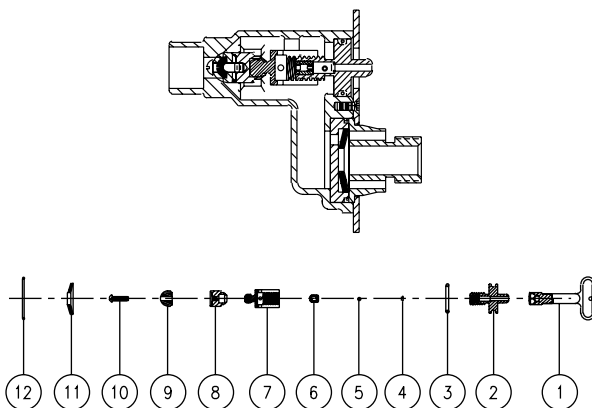
## Z1320-CXL/Z1320-CXL-BFP/Z1321-CXL - REPAIR KIT



PART NUMBER	LIST PRICE
HYD-RK-Z1321-CXL	65.50

ITEM	DESCRIPTION	PART NO.
1	Key	59546-001-9
2	Operating Screw	25049-XL-22
3	O-Ring	23750-028-8
4	Ball O-Ring	23750-232-8
5	Ball	51458-001-5
6	Setscrew	51459-001-5
7	Operating Coupling	25147-XL-13
8	Washer	56651-001-8
9	Screw #10-24 N.C.	14853-045-5
10	"Equa-Balance" Seal	50785-001-8
11	Disc O-Ring	23750-204-8

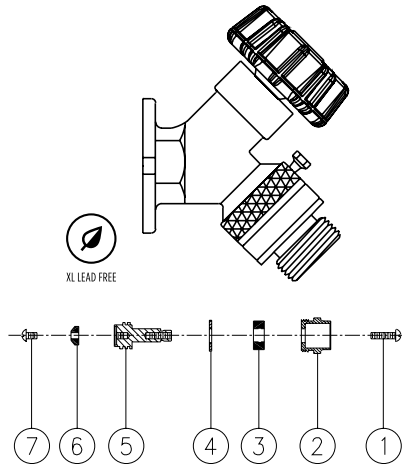
## Z1330-C/Z1330-C-BFP/Z1333-C - REPAIR KIT



PART NO.	LIST PRICE
HYD-RK-Z1330-C/33-C	67.50

ITEM	DESCRIPTION	PART NO.
1	Key	59546-001-0
2	Operating Screw	25049-002-2
3	O-Ring	23750-028-8
4	Ball O-Ring	23750-232-8
5	Ball	51458-001-5
6	Setscrew	51459-001-3
7	Operating Coupling	25247-001-3
8	Washer Guide	25050-002-3
9	Washer	56651-001-8
10	Screw #10-24 N.C.	14853-045-3
11	"Equa-Balance" Seal	50785-001-8
12	Disc O-Ring	23750-204-8

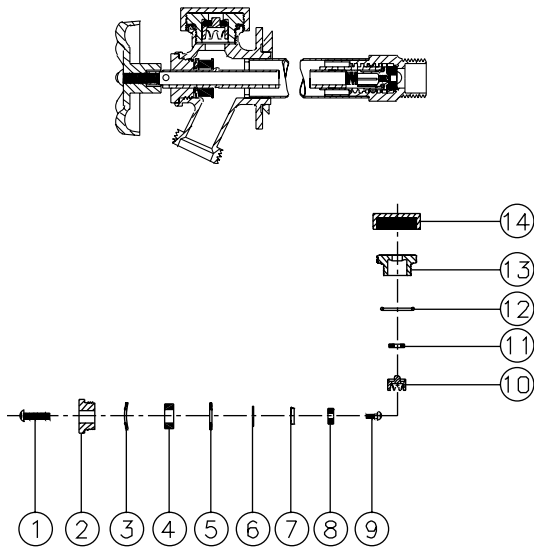
## Z1341XL/Z1343 REPAIR KIT



PART NO.	LIST PRICE
HYD-RK-Z1341XL	24.00

ITEM	DESCRIPTION	PART NO.
1	Handle Screw	14853-046-3
2	Packing Nut	59469-001-3
3	Fiber Packing	59544-001-9
4	Washer	60081-XL1-3
5	Operating Screw	59470-XL1-3
6	Neoprene Washer	59468-001-8
7	Retaining Screw	14853-041-3

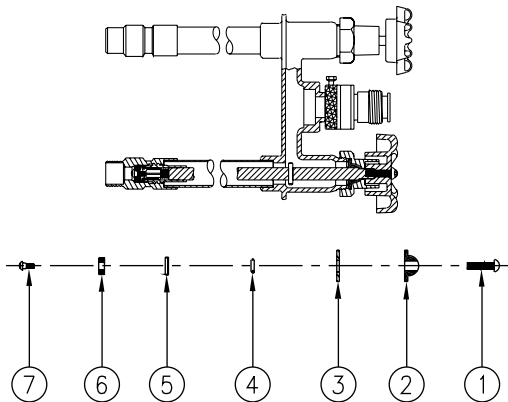
## Z1345 REPAIR KIT



PART NO.	LIST PRICE
HYD-RK-Z1345	25.50

ITEM	DESCRIPTION	PART NO.
1	Handle Screw	14853-046-3
2	Packing Nut	59474-001-3
3	Concave Washer	66279-001-3
4	Packing	60823-001-8
5	Washer	14859-001-3
6	Diaphragm	23443-048-8
7	Seat Casing	59475-001-3
8	Rubber Washer	23443-046-8
9	Washer Screw	56447-015-3
10	Float	59479-001-9
11	Float Washer	23443-047-8
12	O-Ring	23750-239-8
13	Binnet	59478-001-9
14	Vacuum Breaker Cap	59477-001-3

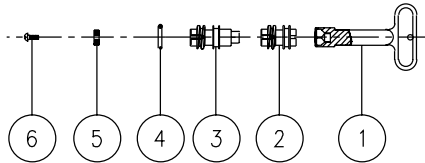
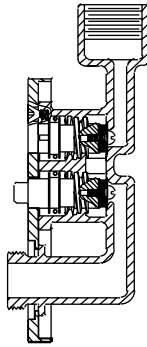
## Z1348 REPAIR KIT



PART NO.	LIST PRICE
HYD-RK-Z1348	35.50

ITEM	DESCRIPTION	PART NO.
1	Handle Screw	14853-046-3
2	Gasket	66277-001-8
3	Washer	14859-003-3
4	O-Ring	23750-203-8
5	Seating Casing	59475-001-3
6	Rubber Washer	23443-046-8
7	Washer Screw	56447-015-3

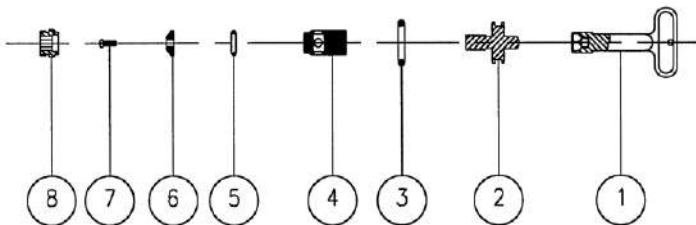
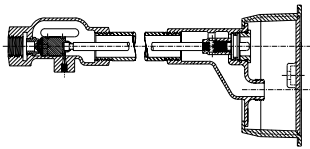
## Z1350 REPAIR KIT



PART NO.	LIST PRICE
HYD-RK-Z1350	62.50

ITEM	DESCRIPTION	PART NO.
1	Key	59546-001-0
2	Stop Plunger	56512-002-3
3	Operating Plunger	56512-001-3
4	O-Ring (2)	23750-313-8
5	Teflon Washer (2)	56513-001-9
6	Screw #6-32 N.C. (2)	14853-016-3

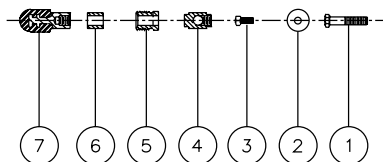
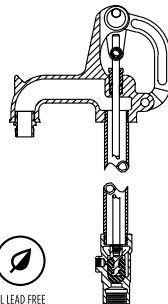
## Z1361 REPAIR KIT



PART NO.	LIST PRICE
HYD-RK-Z1360-70-85	77.00

ITEM	DESCRIPTION	PART NO.
1	Key	59546-001-0
2	Operating Screw	25049-001-3
3	O-Ring	23750-028-8
4	Operating Coupling	25147-001-3
5	O-Ring (2)	23750-036-8
6	Washer	23075-001-8
7	Screw #10-24 N.C.	14853-042-3
8	Removable Seat	25262-001-3

## Z1396XL REPAIR KIT



PART NO.	LIST PRICE
HYD-RK-Z1396XL	32.50

ITEM	DESCRIPTION	PART NO.
1	Handle Cap Screw	26050-009-5
2	Push Nut	56467-001-5
3	Setscrew 3/8 -16 Sq. Hd.	14857-018-5
4	Pivot Link	56216-001-5
5	Nut	56202-001-3
6	Packing	56227-001-9
7	Plunger Assembly	56252-XL1-8

# INTERCEPTORS

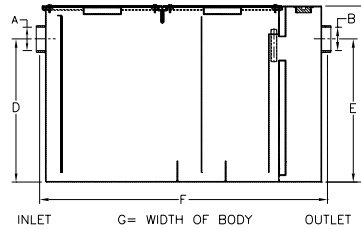
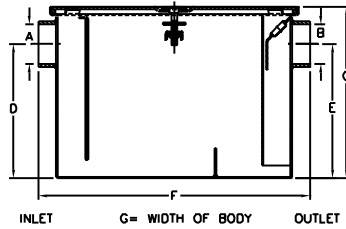
<b>GT2700</b> GREASE INTERCEPTOR	<b>62</b>
<b>GT2700-EXT</b> GREASE INTERCEPTOR EXTENSIONS – 6"	<b>62</b>
<b>GT2701</b> LOW PROFILE GREASE INTERCEPTOR	<b>63</b>
<b>GT2702</b> POLYETHYLENE GREASE INTERCEPTOR	<b>64</b>
<b>GT2702-6-EXT</b>	<b>64</b>

# GT2700 GREASE INTERCEPTOR



- Recommended for removing and retaining grease from wastewater in kitchen and restaurant areas where food is prepared.
- Grease interceptor is corrosion-resistant coated fabricated steel with no-hub connections, slip-resistant cover, flow diffusing baffle, integral trap, and external vented inlet flow control device.
- Grease interceptor is furnished with no-hub inlet and outlet as standard connections. IP connections are available upon request.

- Inlet and outlet sizes shown indicate standard operating sizes and flow control settings. The -20 and -25 can be reduced to 2" and the -35 and -50 can be reduced to 3".  
**If changed, flow control must be adjusted accordingly.**
- 3/8" Allen bolt lift handle assembly.
- Gasket for interceptor – Order P1170-GSKT-MATL
- **Note:** For sizing method, visit [www.zurn.com](http://www.zurn.com).



MODEL NUMBER	FLOW RATE GPM [L/M]	GREASE CAPACITY LB [KG]	DIMENSIONS IN INCHES [MM]							WATER CAPACITY GAL. [L]	WEIGHT LB [KG]	NH PRICE EACH	IP PRICE EACH
			A	B	C	D/E	F	G	H				
GT2700-04	4 [15L]	8 lb [4 kg]	2" [51 mm]	2" [51 mm]	10" [254 mm]	7-1/4" [184 mm]	15-7/8" [403 mm]	9-7/8" [251 mm]	2-3/4" [70 mm]	4 [15 L]	23 lb [10 kg]	327.50	334.50
GT2700-07	7 [26 L]	14 lb [6 kg]	2" [51 mm]	2" [51 mm]	11-1/8" [283 mm]	8-1/8" [206 mm]	17-1/4" [438 mm]	11-7/8" [302 mm]	3" [76 mm]	6 [23 L]	28 lb [13 kg]	329.00	336.00
GT2700-10	10 [38L]	20 lb [9 kg]	2" [51 mm]	2" [51 mm]	11-3/4" [298 mm]	8-1/4" [210 mm]	19-1/4" [489 mm]	14" [356 mm]	3-1/2" [89 mm]	8 [30 L]	34 lb [15 kg]	375.00	383.50
GT2700-15	15 [57 L]	30 lb [14 kg]	2" [51 mm]	2" [51 mm]	13-3/8" [340 mm]	9-3/8" [238 mm]	21-1/4" [540 mm]	16-3/4" [425 mm]	4" [102 mm]	13 [49 L]	43 lb [20 kg]	416.50	425.50
GT2700-20	20 [76 L]	40 lb [18 kg]	3" [76 mm]	3" [76 mm]	15" [381 mm]	11-3/4" [298 mm]	24-1/8" [613 mm]	17-1/4" [438 mm]	3-1/4" [83 mm]	18 [68 L]	65 lb [29 kg]	506.00	516.50
GT2700-25	25 [95 L]	50 lb [23 kg]	3" [76 mm]	3" [76 mm]	17" [432 mm]	12-1/2" [318 mm]	26-1/8" [664 mm]	19-7/8" [505 mm]	4-1/2" [114 mm]	24 [91 L]	70 lb [32 kg]	638.50	652.50
GT2700-35	35 [132 L]	70 lb [32 kg]	4" [102 mm]	4" [102 mm]	18-3/4" [476 mm]	14-1/4" [362 mm]	28" [711 mm]	22-1/2" [572 mm]	4-1/2" [114 mm]	33 [125 L]	90 lb [41 kg]	735.00	749.50
GT2700-50	50 [189 L]	100 lb [45 kg]	4" [102 mm]	4" [102 mm]	21-1/2" [546 mm]	16" [406 mm]	29-7/8" [759 mm]	24-1/2" [622 mm]	5-1/2" [140 mm]	44 [167 L]	106 lb [48 kg]	867.00	884.50
GT2700-75	75 [284 L]	150 lb [68 kg]	4" [102 mm]	4" [102 mm]	22-3/4" [578 mm]	18-1/2" [470 mm]	36" [914 mm]	28-5/8" [727 mm]	4-1/4" [108 mm]	65 [240 L]	316 lb [143 kg]	2,401.00	N/A
GT2700-100	100 [374 L]	200 lb [91 kg]	4" [102 mm]	4" [102 mm]	27" [686 mm]	23" [584 mm]	42-3/4" [1086 mm]	33-5/8" [854 mm]	4" [102 mm]	110 [416 L]	408 lb [185 kg]	3,012.00	N/A

# GT2700-EXT GREASE INTERCEPTOR EXTENSIONS - 6"



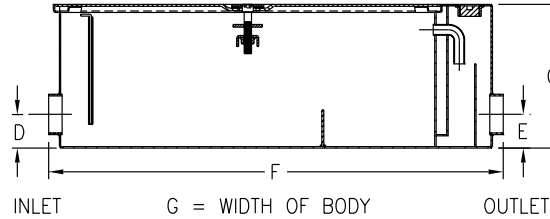
- Available in standard 6" increments.
- Ability to use more than one (stackable).
- Special size extensions are available on a made-to-order basis.

MODEL NUMBER	WEIGHT-LB [KG]	LIST PRICE EACH
GT2700-04-6-EXT	11 lb [5 kg]	280.00
GT2700-07-6-EXT	13 lb [6 kg]	314.00
GT2700-10-6-EXT	15 lb [7 kg]	398.00
GT2700-15-6-EXT	17 lb [8 kg]	418.50
GT2700-20-6-EXT	19 lb [9 kg]	454.00
GT2700-25-6-EXT	21 lb [10 kg]	488.50
GT2700-35-6-EXT	23 lb [10 kg]	572.00
GT2700-50-6-EXT	25 lb [11 mm]	816.00
GT2700-75-6-EXT	27 lb [12 mm]	1,440.00
GT2700-100-6-EXT	30 lb [14 mm]	1,670.50

# GT2701 LOW PROFILE GREASE INTERCEPTOR



- Recommended for removing and retaining grease from wastewater in kitchen and restaurant areas where food is prepared.
- Grease interceptor is corrosion-resistant coated fabricated steel with no-hub connections, flow diffusing baffle, integral trap, and vented inlet flow control device.
- Designed to be installed under the sink or in an area where space is limited.
- **Note:** For sizing method, visit [www.zurn.com](http://www.zurn.com).



MODEL NUMBER	FLOW RATE GPM [L/M]	GREASE CAPACITY LB [KG]	DIMENSIONS IN INCHES [MM]							WATER CAPACITY GAL. [L]	WEIGHT LB [KG]	NH PRICE EACH	IP PRICE EACH
			A	B	C	D	E	F	G				
GT2701-20	20 [76 L]	40 lb [18 kg]	3" [76 mm]	3" [76 mm]	10" [254 mm]	3-1/8" [79 mm]	3-1/8" [79 mm]	31" [787 mm]	21-1/8" [537 mm]	15 [57 L]	102 lb [46 kg]	669.00	682.50
GT2701-35	35 [132 L]	70 lb [32 kg]	4" [102 mm]	4" [102 mm]	10-3/4" [273 mm]	3-1/8" [79 mm]	3-1/8" [79 mm]	42-1/8" [1070 mm]	29-3/8" [746 mm]	30 [116 L]	172 lb [78 kg]	1,112.50	1,135.50
GT2701-50	50 [189 L]	100 lb [45 kg]	4" [102 mm]	4" [102 mm]	16" [406 mm]	10" [254 mm]	10" [254 mm]	49-1/2" [1257 mm]	29-3/8" [746 mm]	45 [170 L]	210 lb [96 kg]	1,694.00	1,727.50

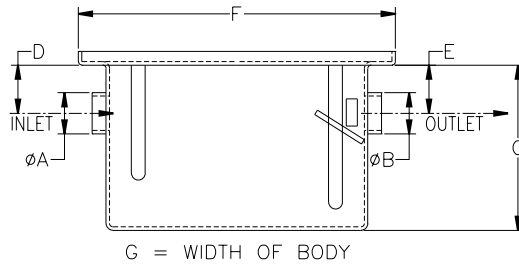


# GT2702 POLYETHYLENE GREASE INTERCEPTOR



- Recommended for removing and retaining grease from wastewater in kitchen and restaurant areas where food is prepared.
- Constructed of non-corrosive polyethylene, the interceptor handles continuous temperatures to 212°.

- Interceptor is furnished with NPT connections, removable flow diffusing baffles, and external vented flow control device.
- For underground applications, concrete wall recommended.
- **Note:** For sizing method, visit [www.zurn.com](http://www.zurn.com).



PRODUCT NUMBER	'A' AND 'B' CONNECTIONS
GT2702-04	2" [51 mm] Female FPT
GT2702-07	2" [51 mm] Female FPT
GT2702-10	2" [51 mm] Female FPT
GT2702-15	2" [51 mm] Female FPT
GT2702-20	2" [51 mm] Female FPT
GT2702-25	3" [76 mm] Female FPT
GT2702-35	3" [76 mm] Female FPT
GT2702-50	3" [76 mm] Female FPT

MODEL NUMBER	FLOW RATE GPM [L/M]	GREASE CAPACITY LB [KG]	DIMENSIONS IN INCHES [MM]					WEIGHT LB [KG]	LIST PRICE EACH
			C	D	E	F	G		
GT2702-04	4 [15 L]	8 lb [4 kg]	9-1/2" [241 mm]	2" [51 mm]	2" [51 mm]	15" [381 mm]	10" [254 mm]	10 lb [5 kg]	411.50
GT2702-07	7 [26 L]	14 lb [6 kg]	11" [279 mm]	3-1/4" [83 mm]	3-1/4" [83 mm]	20" [508 mm]	14-1/2" [368 mm]	15 lb [7 kg]	540.00
GT2702-10	10 [38 L]	20 lb [9 kg]	12" [305 mm]	3-1/2" [89 mm]	3-1/2" [89 mm]	23" [584 mm]	14-1/2" [368 mm]	18 lb [8 kg]	616.50
GT2702-15	15 [57 L]	30 lb [14 kg]	13" [330 mm]	3-1/2" [89 mm]	3-1/2" [89 mm]	23" [584 mm]	19-1/2" [495 mm]	25 lb [11 kg]	732.50
GT2702-20	20 [76 L]	40 lb [18 kg]	14" [356 mm]	3-1/2" [89 mm]	3-1/2" [89 mm]	29" [737 mm]	19-1/2" [495 mm]	30 lb [14 kg]	789.50
GT2702-25	25 [95 L]	50 lb [23 kg]	17" [432 mm]	4" [102 mm]	4" [102 mm]	32-1/2" [826 mm]	19-1/2" [495 mm]	35 lb [16 kg]	1,110.00
GT2702-35	35 [132 L]	70 lb [32 kg]	18" [457 mm]	4" [102 mm]	4" [102 mm]	32-1/2" [826 mm]	22" [559 mm]	40 lb [18 kg]	1,259.00
GT2702-50	50 [189 L]	100 lb [45 kg]	18" [457 mm]	4" [102 mm]	4" [102 mm]	37" [940 mm]	25" [635 mm]	50 lb [23 kg]	1,526.50
GT2702-75	75 [284 L]	150 lb [68 kg]	25" [635 mm]	5-3/4" [146 mm]	5-3/4" [146 mm]	44-1/4" [1124 mm]	25" [635 mm]	55 lb [25 kg]	2,844.00

## GT2702-6-EXT

MODEL NUMBER	LIST PRICE EACH
GT2702-20-6-EXT	513.50
GT2702-25-6-EXT	521.00
GT2702-35-6-EXT	527.00
GT2702-50-6-EXT	623.00

# BASINS & SINKS

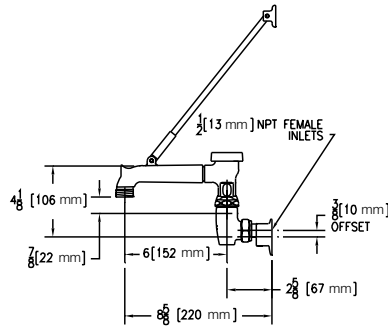
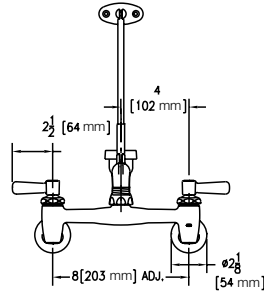
<b>Z843M1</b> SERVICE SINK FAUCET	<b>66</b>
<b>MS2624</b> COUNTERTOP DROP-IN SINK	<b>66</b>
<b>Z1996</b> MOP SERVICE BASIN	<b>67</b>

## Z843M1 SERVICE SINK FAUCET



- Ceramic disc operated cast brass service sink faucet with vacuum breaker and service stops.

MODEL NUMBER	APROX. WT. LB [KG]	BOX QTY.	LIST PRICE EACH
Z843M1	7 lb [4 kg]	6	304.00
Z843M1-RC	7 lb [4 kg]	6	240.50



SUFFIX	DESCRIPTION	ADD
-CS	Check Stops	48.50
-WHK	Wall Hook	30.00
-5H	5' [152 cm] Vinyl Hose	28.50

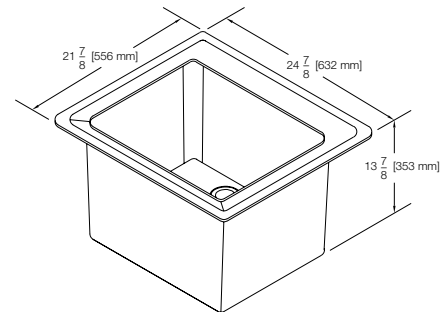
## MS2624 COUNTERTOP DROP-IN SINK



- Self-rimming design.
- Compression molded (SMC) high impact fiberglass/ crushed stone.
- Faucet deck designed to accommodate 4" [102 mm] or 8" [204 mm] centerset faucet with soap dispenser and hose spray.
- Individually packaged.

- 1-1/2" PVC drain assembly.
- Seventeen-gallon water capacity.
- Fits standard 21" [533 mm] x 24" [610 mm] countertop cutout.
- Standard color is appliance white.
- Stain resistant, semi-gloss, easy to clean and maintain.
- Weight: 13 lb [6 kg]

MODEL NUMBER	DESCRIPTION	APPROX. WT. LB [KG]	LIST PRICE EACH
MS2624	Self-rimming Countertop Drop-in Sink	11 lb [6 kg]	112.00

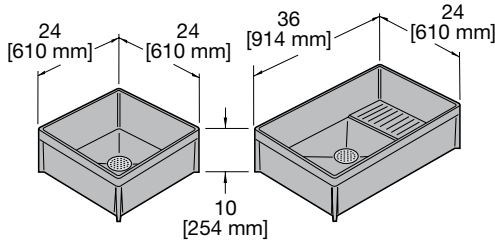


# Z1996 MOP SERVICE BASIN



- High-density composite, molded mop basin designed for commercial applications.
- Complete with stainless steel dome strainer/lint basket and a PVC drain with adjustable caulking nut and gasket.
- Model 36 is standard with an integrally molded, self-draining mop shelf where shown.

MODEL NUMBER	DESCRIPTION	DIMENSIONS IN INCHES [MM]		APPROX. WT. LB [KG]	BOX QTY.	LIST PRICE EACH
		'A' CONNECTIONS				
Z1996-24-AW	White Mop Basin	24" [610 mm]	24" [610 mm]	29 lb [13 kg]	1	248.50
Z1996-36-AW	White Mop Basin	36" [914 mm]	24" [610 mm]	38 lb [17 kg]	1	295.50
Z1996-24	Gray Mop Basin	24" [610 mm]	24" [610 mm]	29 lb [13 kg]	1	248.50
Z1996-36	Gray Mop Basin	36" [914 mm]	24" [610 mm]	38 lb [17 kg]	1	295.50



SUFFIX	DESCRIPTION	ADD
-BS	Stainless Steel Bumper Guard - 24" [610 mm] (20-gage type 304 stainless steel)	73.00
-BS	Stainless Steel Bumper Guard - 36" [914 mm] (20-gage type 304 stainless steel)	83.00
-BV	Vinyl Bumper Guard - 24" [610 mm]	30.50
-BV	Vinyl Bumper Guard - 36" [914 mm]	30.50
-HH	Hose and Bracket	35.00
-MH	Mop Hanger - Stainless Steel, 26" Long x 3" Wide with Three Rubber Tool Grips	59.50
-NHG	PVC Drain Gasket Designed for No-Hub pipe- Neoprene gasket facilitates drain installation to cast iron pipe	N/C
-PRP	Pipe Reducer for PVC Drain - Reduces outlet size from 3" to 2" pipe size	25.00
-PRS	Pipe Reducer for Stainless Steel Drain-Reduces outlet size from 3" to 2" pipe size	25.00
-SDL	Stainless Steel Drain with Dome Strainer, Lint Basket, and Locking Nut	60.50
-SF	Service Faucet-Chrome-plated bronze service faucet with vacumm breaker	149.00
-WG	Wall Guard (2 Panels - Indicate Size)	178.50



-BS



-HH



-MH



-SDL



-WG

**NOTES**

EZT™

FLOOR DRAINS

CLEANOUTS

ROOF DRAINS

HYDRANTS

INTERCEPTORS

**BASINS & SINKS**

MISCELLANEOUS

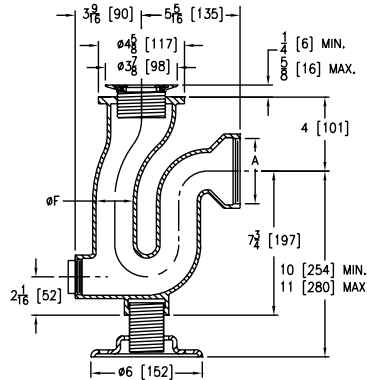
# MISCELLANEOUS

<b>TS2900</b> TRAP STANDARD	<b>70</b>
<b>TP2923</b> TRAP SEAL PRIMER	<b>70</b>
<b>BW2930</b> BACKWATER VALVE	<b>70</b>
<b>WH2950-XL</b> LEAD-FREE WATER HAMMER ARRESTOR	<b>71</b>
<b>WM2960</b> WASHING MACHINE VALVE	<b>72</b>
<b>WM2961</b> ENCASED WASHING MACHINE VALVE	<b>72</b>
<b>UF2970</b> HORIZONTAL URINAL FLANGE KIT	<b>73</b>
<b>UF2971</b> SPIGOT FIT URINAL FLANGE KIT	<b>73</b>
<b>UF2972</b> RADIALY ADJUSTABLE URINAL FLANGE KIT	<b>73</b>
<b>CF2987</b> 3" X 4" FLUSH FLOOR CLOSET FLANGE	<b>74</b>
<b>CF2988</b> INSIDE 3" PIPE CLOSET FLANGE	<b>74</b>
<b>CF2989</b> FLUSH FLOOR SPIGOT CLOSET FLANGE	<b>74</b>
<b>CF2990</b> ZURN FLO-BOWL™	<b>75</b>
<b>CF2991</b> ZURN FLO-BOWL™ JR.	<b>76</b>
<b>CD3P</b> SPEEDFLEX AIR GAP	<b>77</b>
<b>CD4P</b> SPEEDFLEX AIR GAP	<b>77</b>

## TS2900 TRAP STANDARD



CONNECTION TYPE	MODEL NUMBER	DIM. IN INCHES [MM]		APROX. WT. LB [KG]	BOX QTY.	LIST PRICE EACH
		A	F			
IPS	TS2900-IP2	2" [51 mm]	2" [51 mm]	17 lb [8 kg]	1	123.50
IPS	TS2900-IP3	3" [76 mm]	3" [76 mm]	17 lb [8 kg]	1	150.00



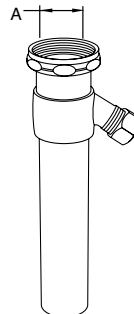
MODEL NUMBER	DESCRIPTION	ADD
JP2900-Top-Assembly	Replacement Head Assembly	36.50

- Recommended for use with wall mounted service basins.
- Sani-Coated cast iron body with chrome-plated bronze strainer, gasket, and cleanout plug.
- Coated inside.

## TP2923 TRAP SEAL PRIMER



PRODUCT NUMBER	SIZE	A INLET	FINISH	CARTON WT. LB [KG]	MASTER CARTON	LIST PRICE
TP2923-PC	1-1/2" x 6" [38mm x 152 mm]	1-1/2" [38 mm]	Polished Chrome	30 lb [13 kg]	25	66.50

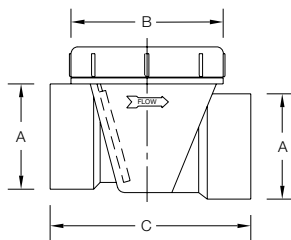


- Chrome-plated, semi-cast body with 17-gage tube.
- 5/8" [16 mm] O.D. compression nut and ferrule connection.

## BW2930 BACKWATER VALVE



BODY TYPE	MODEL NUMBER	DIM. IN INCHES [MM]			APPROX. WT. LB [KG]	BOX QTY.	LIST PRICE
		A	B	C			
PVC	BW2930-PV3	3" [76 mm] PVC Solvent Weld	5-3/4" [146 mm]	7-1/2" [191 mm]	8 lb [4 kg]	4	72.00
	BW2930-PV4	4" [102 mm] PVC Solvent Weld	7-5/8" [194 mm]	11-3/8" [289 mm]	8 lb [4 kg]	4	74.50
	BW2930-PV6	6" [152 mm] PVC Solvent Weld	10-3/8" [264 mm]	15-1/2" [394 mm]	10 lb [5 kg]	1	260.50
ABS	BW2930-AB3	3" [76 mm] ABS Solvent Weld	5-3/4" [146 mm]	7-1/2" [191 mm]	8 lb [4 kg]	4	72.00
	BW2930-AB4	4" [102 mm] ABS Solvent Weld	7-5/8" [194 mm]	11-3/8" [289 mm]	8 lb [4 kg]	4	74.50
	BW2930-AB6	6" [152 mm] ABS Solvent Weld	10-3/8" [264 mm]	15-1/2" [394 mm]	10 lb [5 kg]	1	260.50



MODEL NUMBER	DESCRIPTION	LIST PRICE
BW2930-PV3-EXT	3" [76 mm] PVC Backwater Valve with 18" [458 mm] Extension	119.00
BW2930-PV4-EXT	4" [102 mm] PVC Backwater Valve with 18" [458 mm] Extension	124.00

- Recommended for commercial drainage or residential applications.
- PVC or ABS body is furnished with threaded access cover.
- Complete with valve seat and flapper which hangs closed while not in use.

# WH2950-XL LEAD-FREE WATER HAMMER ARRESTOR

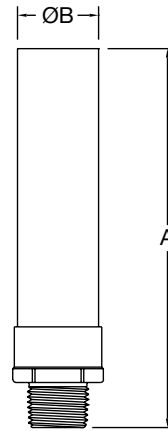


XL LEAD FREE



- Designed to protect water lines from surges during quick valve closure.
- Operating Pressure:  
Normal - 60 psig,  
Maximum - 85 psig
- Maximum Rated Pressure:  
150 psig
- Operating Temperature  
Range: 33°F to 180°F

MODEL NUMBER	PDI SIZE	MNPT THREAD	DIM. IN INCHES [MM]		AIR CHAMBER VOLUME IN <sup>3</sup> [CM <sup>3</sup> ]	FIXTURE UNIT CAP.	APPROX. WT. LB [KG]	LIST PRICE EACH
			A	B				
WH2950-A-XL	A	1/2" [15 mm]	5-1/4" [133 mm]	1-1/8" [29 mm]	3.5 [57]	1-11	1 lb [0.5 kg]	<b>54.50</b>
WH2950-B-XL	B	3/4" [19 mm]	5-5/8" [143 mm]	1-5/8" [41 mm]	4.3 [70]	12-32	2 lb [1 kg]	<b>77.00</b>
WH2950-C-XL	C	1" [25 mm]	7-1/2" [191 mm]	1-5/8" [41 mm]	6.5 [107]	33-60	3 lb [2 kg]	<b>169.50</b>
WH2950-D-XL	D	1" [25 mm]	9-5/16" [237 mm]	1-3/4" [44 mm]	10 [164]	61-113	3 lb [2 kg]	<b>202.50</b>
WH2950-E-XL	E	1" [25 mm]	10-1/4" [260 mm]	2-1/2" [64 mm]	22.4 [367]	114-154	3 lb [2 kg]	<b>289.50</b>
WH2950-F-XL	F	1" [25 mm]	10-7/8" [276 mm]	2-7/8" [73 mm]	34.4 [564]	155-330	4 lb [3 kg]	<b>455.50</b>



EZ™

FLOOR DRAINS

CLEANOUTS

ROOF DRAINS

HYDRANTS

INTERCEPTORS

BASINS & SINKS

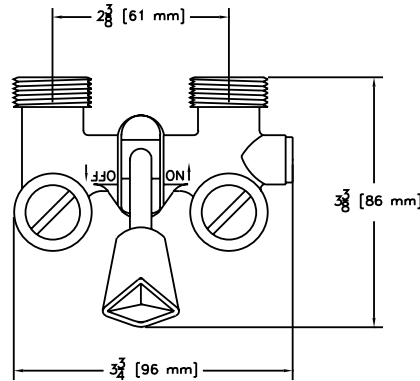
MISCELLANEOUS



## WM2960 WASHING MACHINE VALVE



DIM. IN INCHES [MM]				
MODEL NUMBER	CONNECTIONS	APPROX. WT. LB [KG]	BOX QTY.	LIST PRICE EACH
WM2960-34	3/4" [19 mm] M.I.P. x 1/2" [12 mm] Solder Inlet	2 lb [1 kg]	12	54.00

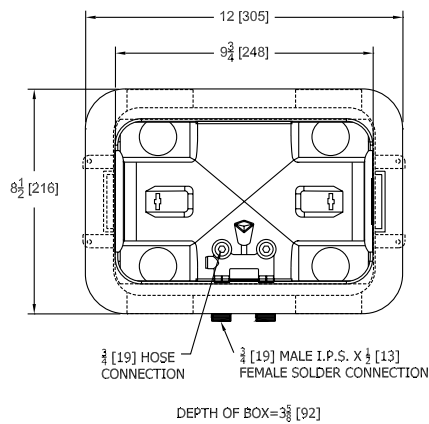


- Designed to simplify installation and help protect against water damage caused by inlet hose rupture or leak.
- Easy-to-use "water control lever" should be kept in "OFF" position when washing machine is not in use.

## WM2961 ENCASED WASHING MACHINE VALVE



DIM. IN INCHES [MM]				
MODEL NUMBER	CONNECTIONS	APPROX. WT. LB [KG]	BOX QTY.	LIST PRICE EACH
WM2961-34	3/4" [19 mm] M.I.P. x 1/2" [12 mm] Solder Inlet	3 lb [2 kg]	12	60.50



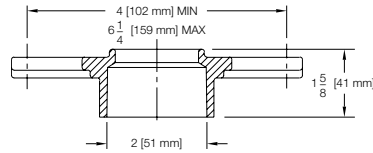
- Designed to improve the overall appearance of the laundry room.
- Each unit comes complete with single lever handle valve, heavy-duty mounting straps, knockouts for a right or left mounting, and a 1-1/2" [38 mm] x 2" [51mm] tailpiece that adapts easily to either ABS or PVC standpipe.

## UF2970 HORIZONTAL URINAL FLANGE KIT



- Recommended for commercial drainage applications.
- PVC flange accommodates urinals with 4" [102 mm] to 6" [152 mm] flange mount centers.
- Designed to accept ABS, PVC, galvanized and cast iron pipe.

MODEL NUMBER	APPROX. WT. LB [KG]	BOX QTY.	LIST PRICE EACH
UF2970	1 lb [0.5 kg]	20	23.50

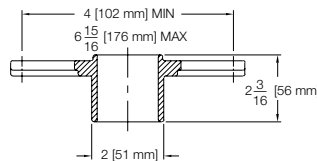


## UF2971 SPIGOT FIT URINAL FLANGE KIT



- Recommended for commercial drainage applications.
- PVC flange accommodates urinals with 4" [102mm] to 7" [178mm] flange mount centers.
- Solvent weld connection.

MODEL NUMBER	APPROX. WT. LB [KG]	BOX QTY.	LIST PRICE EACH
UF2971	1 lb [0.5 kg]	20	23.50

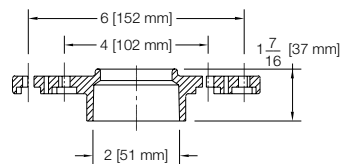


## UF2972 RADIALLY ADJUSTABLE URINAL FLANGE KIT



- Recommended for commercial drainage applications.
- PVC flange accommodates urinals with 4" [102mm] to 7" [178mm] flange mount centers.
- Radial slots allow positive parallel alignment of hanger.

MODEL NUMBER	APPROX. WT. LB [KG]	BOX QTY.	LIST PRICE EACH
UF2972	1 lb [0.5 kg]	20	23.50

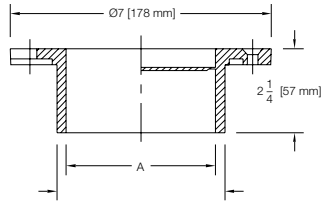


## CF2987 3" X 4" FLUSH FLOOR CLOSET FLANGE



- Recommended for commercial drainage or residential applications.
- PVC or ABS body is designed for a flush with floor installation.
- Fits over 3" [76 mm] or inside 4" [102 mm] Schedule 40 DWV pipe.

BODY TYPE	MODEL NUMBER	DIM. IN INCHES [MM]		APPROX. WT. LB [KG]	BOX QTY.	LIST PRICE EACH	
		A					
PVC	CF2987-PVC	3" [76 mm]	x 4" [102 mm]	PVC Solvent Weld	1 lb [0.5 kg]	24	9.00



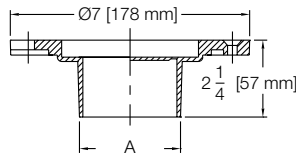
SUFFIX	DESCRIPTION	ADD
-TC	Knock-out Test Cap	4.50

## CF2988 INSIDE 3" PIPE CLOSET FLANGE



- Recommended for commercial drainage or residential applications.
- PVC or ABS body is designed to fit inside 3" [76mm] Schedule 40 DWV pipe.

BODY TYPE	MODEL NUMBER	DIM. IN INCHES [MM]		APPROX. WT. LB [KG]	BOX QTY.	LIST PRICE EACH	
		A					
PVC	CF2988-PVC	3" [76 mm]	x 4" [102 mm]	PVC Solvent Weld	1 lb [0.5 kg]	24	9.00



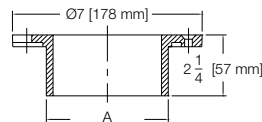
SUFFIX	DESCRIPTION	ADD
-TC	Knock-out Test Cap	4.50

## CF2989 FLUSH FLOOR SPIGOT CLOSET FLANGE



- Recommended for commercial drainage and/or residential applications.
- This all-plastic closet flange is designed to fit inside Schedule 40 DWV hub.

BODY TYPE	MODEL NUMBER	DIM. IN INCHES [MM]		APPROX. WT. LB [KG]	BOX QTY.	LIST PRICE EACH
		A				
PVC	CF2989-PV3	3" [76 mm]	PVC Hub	1 lb [0.5 kg]	24	8.00
	CF2989-PV4	4" [102 mm]	PVC Hub	1 lb [0.5 kg]	24	8.00
ABS	CF2989-AB3	3" [76 mm]	ABS Hub	1 lb [0.5 kg]	24	8.00
	CF2989-AB4	4" [102 mm]	ABS Hub	1 lb [0.5 kg]	24	8.00



SUFFIX	DESCRIPTION	ADD
-TC	Knock-out Test Cap	4.50



Figure 1

### 3" x 4" Closet Flange and Wax Ring Replacement Seal

Leakless Toilet System

Flo-Bowl Leakless Toilet System is a revolutionary new drain system that will forever eliminate the need for a wax ring on your toilet system (Figure 1).

Until now, consumers have had to rely on wax rings. Wax rings leak for various reasons, and when they do, it can cause severe floor damage and results in costly repairs.

Flo-Bowl Leakless Toilet System consists of three components (Figure 1). The first component is the toilet adaptor and sealant. This first component bonds to the drain or the horn of your toilet (Figure 2). The adaptor then passes through the second component, the rubber V-Ring seal. This second component creates an air, as well as water tight seal with the adaptor (Figure 3). The rubber V-Ring seal is seated into the third component, the floor flange (Figure 4). The Flo-Bowl floor flange will adapt to both 3- and 4-inch plastic waste pipes. In the event the waste pipe is cast iron, a rubber boot will be needed for installation.



Figure 2

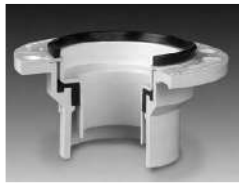


Figure 3



Figure 4

#### Flo-Bowl Benefits

- Lifetime guarantee
- Made in the U.S.A.
- System guaranteed not to leak
- Easy to install
- Available in PVC and ABS
- Not sensitive to temperature
- Reset toilet as many times as needed
- Johnnie bolts will stand up in flange
- Ease of inventory within one package accommodates 3" [76 mm] or 4" [120 mm] pipe
- No possibility of second story floor and ceiling damage if Flo-Bowl is installed correctly

#### Zurn Flo-Bowl Lifetime Guarantee

Zurn Flo-Bowl guarantees its product to be free from manufacturing defects under normal use and service for the life of the product from date of purchase.

BODY TYPE	MODEL NUMBER	DIM. IN INCHES [MM]		LIST PRICE EACH	
		DESCRIPTION	BOX QTY.		
PVC	CF2990-PVC	3" [76 mm] x 4" [120 mm]	Closet Flange and Wax Ring Replacement Seal	1	26.00
ABS	CF2990-ABS	3" [76 mm] x 4" [120 mm]	Closet Flange and Wax Ring Replacement Seal	1	26.00

# CF2991 ZURN FLO-BOWL™ JR.

EZ™  
FLOOR DRAINS  
CLEANOUTS  
ROOF DRAINS  
HYDRANTS  
INTERCEPTORS  
BASINS & SINKS  
MISCELLANEOUS

## Wax Ring Replacement Seal

Installs In Less Than 60 Seconds



Figure 1



Figure 2

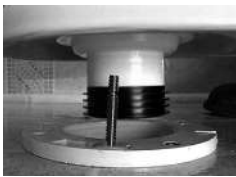


Figure 3

Flo-Bowl Jr. is a direct replacement of the wax ring seal on the bottom of your toilet. Flo-Bowl Jr. will eliminate forever the possibility of water damage to your bathroom floor and/or to the ceiling below if installed on a toilet in an upstairs bathroom.

Flo-Bowl Jr. is a single piece of PVC plastic with a factory 3- or 4-inch multi-ribbed rubber seal on the lower part of the horn adapter, and a non-hardening, instant adhering, rubber sealant ring on the top portion of the horn adapter (Figure 1). The multi-ribbed seal arrangement provides more than one point of contact on the inside of your waste drain pipe to compensate for irregularities on the inside of the pipe. The adhesive ring is flexible; this allows it to conform to the irregularities on the bottom of the toilet. Flo-Bowl Jr. will adapt to both 3- and 4-inch waste pipes.

The combination of the horn adapter, multi-ribbed seal, and the instant non-hardening adhesive totally eliminate the possibility of water leakage, and subsequent property damage, or the escape of harmful sewer gases that form inside of your waste drain pipe.

### Flo-Bowl Jr. Benefits

- Lifetime guarantee
- Made in the U.S.A.
- System guaranteed not to leak
- Easy to install
- Not sensitive to temperature
- Reset toilet as many times as needed
- Works where double stacking of wax rings was necessary
- Flo-Bowl Jr. packaging for 3" [76 mm] or 4" [120 mm] applications

### Zurn Flo-Bowl Jr. Lifetime Guarantee

Zurn Flo-Bowl Jr. guarantees its product to be free from manufacturing defects under normal use and service for the life of the product from date of purchase.

### Flo-Bowl Jr. Installation Instructions

1. Turn off water at shut-off valve. Flush toilet to remove all water. Unbolt the toilet from the floor and disconnect water line. **Carefully** lift the toilet off the floor and place on its side.
2. Remove all foreign matter from area around toilet horn (waste hole) as well as the floor flange. This includes wax ring, dirt, oil, etc. **Note:** Surface around toilet horn must be clean, dry, and residue free. This will ensure a good bonding.
3. Once toilet horn area has been cleaned, position the Flo-Bowl Jr. over the toilet horn and apply firm pressure to ensure a good bond (**Figure 2**).
4. Now carefully lift toilet (be sure not to bump Flo-Bowl Jr.) and reposition toilet over mounting bolts. Lower toilet so that bolts pass through mounting holes (**Figure 3**). Bolt toilet down and reconnect water line.

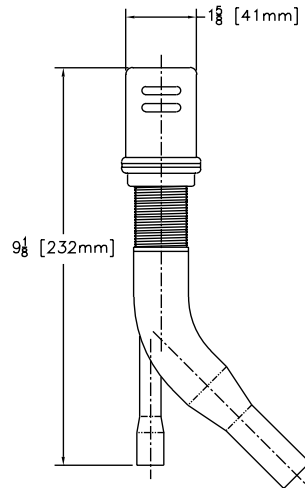
BODY TYPE	MODEL NUMBER	DIM. IN INCHES [MM]		LIST PRICE EACH	
		DESCRIPTION	BOX QTY.		
PVC	CF2991-PV3	3" [76 mm] x 4" [120 mm]	Wax Ring Replacement Seal	1	10.00
ABS	CF2991	3" [76 mm] x 4" [120 mm]	Wax Ring Replacement Seal	1	10.50

⚠ **WARNING:** Cancer and Reproductive Harm - [www.P65Warnings.ca.gov](http://www.P65Warnings.ca.gov)  
 ⚠ **ADVERTENCIA:** Cáncer y daño reproductivo - [www.P65Warnings.ca.gov](http://www.P65Warnings.ca.gov)  
 ⚠ **AVERTISSEMENT:** Cancer et effets néfastes sur la reproduction - [www.P65Warnings.ca.gov](http://www.P65Warnings.ca.gov)

## CD3P SPEEDFLEX AIR GAP



PART NUMBER	DESCRIPTION	APPROX. WT. LB [KG]	LIST PRICE EACH
CD3P	Copper with Chrome Cap	1/4 lb [0.1 kg]	41.50



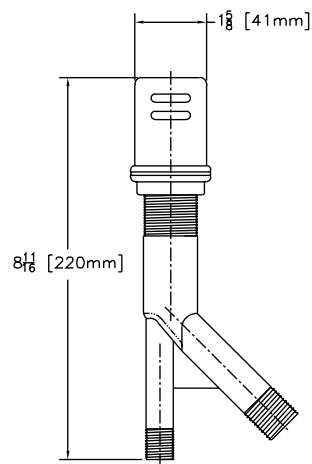
### Replacement Parts

PART NUMBER	DESCRIPTION	LIST PRICE EACH
AGOCCP	Chrome-Plated Outer Cap	6.00
AGPE	Plastic Extension	4.00
AGPIC	Plastic Inner Cap	2.50
AGPLN	Plastic Lock Nut	3.00
AGPSW	Plastic Spacer Washer	3.00
AGRW	Rubber Washer	2.50

## CD4P SPEEDFLEX AIR GAP



PART NUMBER	DESCRIPTION	APPROX. WT. LB [KG]	LIST PRICE EACH
CD4P	Plastic with Chrome Cap	1/4 lb [0.1 kg]	10.00



### Replacement Parts

PART NUMBER	DESCRIPTION	LIST PRICE EACH
AGOCCP	Chrome-Plated Outer Cap	6.00
AGPE	Plastic Extension	4.00
AGPIC	Plastic Inner Cap	2.50
AGPLN	Plastic Lock Nut	3.00
AGPSW	Plastic Spacer Washer	3.00
AGRW	Rubber Washer	2.50

## NOTES

## ALPHANUMERIC INDEX

BW2930 BACKWATER VALVE	<b>70</b>	FD2254 SHOWER DRAIN – SQUARE	<b>28</b>	Z1320-CXL LEAD-FREE ECOLOTROL WALL HYDRANT	<b>48</b>
CD3P SPEEDFLEX AIR GAP	<b>77</b>	FD2260 SHOWER STALL DRAIN	<b>29</b>	Z1320-CXL/Z1320-CXL-BFP/Z1321-CXL – REPAIR KIT	<b>58</b>
CD4P SPEEDFLEX AIR GAP	<b>77</b>	FD2270 SOLVENT WELD SHOWER STALL DRAIN	<b>29</b>	Z1321-CXL LEAD-FREE ECOLOTROL WALL HYDRANT	<b>49</b>
CF2987 3" X 4" FLUSH FLOOR CLOSET FLANGE	<b>74</b>	FD2275 BRASS NO-CAULK SHOWER STALL DRAIN	<b>30</b>	Z1330-C-BFP MODERATE CLIMATE ECOLOTROL WALL HYDRANT	<b>50</b>
CF2988 INSIDE 3" PIPE CLOSET FLANGE	<b>74</b>	FD2275 PVC OR ABS NO-CAULK SHOWER STALL DRAIN	<b>30</b>	Z1330-C MODERATE CLIMATE ECOLOTROL WALL HYDRANT	<b>49</b>
CF2989 FLUSH FLOOR SPIGOT CLOSET FLANGE	<b>74</b>	FD2283 SQUARE TOP DECORATIVE FLOOR DRAIN	<b>22</b>	Z1330-C/Z1330-C-BFP/Z1333-C – REPAIR KIT	<b>58</b>
CF2990 ZURN FLO-BOWL™	<b>75</b>	FD2330 HEAVY-DUTY ADJUSTABLE FLOOR DRAIN	<b>22</b>	Z1333-C MODERATE CLIMATE ECOLOTROL WALL HYDRANT	<b>50</b>
CF2991 ZURN FLO-BOWL™ JR.	<b>76</b>	FD2340 MEDIUM-DUTY ADJUSTABLE FLOOR DRAIN	<b>23</b>	Z1341 WALL FAUCET BOX	<b>51</b>
CO1 ADJUSTABLE FLOOR CLEANOUT	<b>39</b>	FD2350 HEAVY-DUTY FLOOR DRAIN	<b>23</b>	Z1341XL LEAD-FREE WALL FAUCET	<b>51</b>
CO2 5" TOP ASSEMBLY ADJUSTABLE FLOOR CLEANOUT WITH DECK PLATE	<b>15</b>	FD2360 LARGE CAPACITY FLOOR DRAIN	<b>24</b>	Z1341XL/Z1343 REPAIR KIT	<b>59</b>
CO2 5" TOP ASSEMBLY ADJUSTABLE FLOOR CLEANOUT WITH DECK PLATE	<b>40</b>	FD2375 12" X 12" A.R.E. FLOOR SINK – 6" SUMP DEPTH	<b>33</b>	Z1343 LAWN FAUCET	<b>52</b>
CO 3" X 4" ADJUSTABLE FINISHED AREA CLEANOUT	<b>38</b>	FD2376 12" X 12" A.R.E. FLOOR SINK – 8" SUMP DEPTH	<b>33</b>	Z1344 WALL FAUCET	<b>52</b>
CO2450 ADJUSTABLE FLOOR CLEANOUT	<b>41</b>	FD2377 12" X 12" A.R.E. FLOOR SINK – 10" SUMP DEPTH	<b>34</b>	Z1345 REPAIR KIT	<b>59</b>
CO2490 CLEANOUT PLUG – ABS OR PVC	<b>41</b>	FD2378 8" X 8" A.R.E. FLOOR SINK – 6" SUMP DEPTH	<b>34</b>	Z1345 WALL FAUCET	<b>53</b>
CO2521 FINISHED AREA FLOOR ACCESS HOUSING	<b>42</b>	FD2380 6" X 6" BELL TRAP DRAIN	<b>31</b>	Z1346 WALL FAUCET	<b>54</b>
CO2530 ROUND ACCESS COVER	<b>42</b>	FD2381 9" X 9" BELL TRAP DRAIN	<b>31</b>	Z1348-BFP WALL FAUCET	<b>55</b>
EZ1-6 6" TOP ASSEMBLY ADJUSTABLE FLOOR DRAIN WITH DECK PLATE AND EZ1™ TECHNOLOGY	<b>9</b>	FS8 PVC FLOOR SINK	<b>32</b>	Z1348 REPAIR KIT	<b>59</b>
EZ1™ 5" TOP ASSEMBLY ADJUSTABLE FLOOR DRAIN WITH EZ1 TECHNOLOGY	<b>8</b>	FS12 PVC FLOOR SINK	<b>32</b>	Z1349 NARROW WALL HYDRANT	<b>55</b>
EZ2 5" TOP ASSEMBLY ADJUSTABLE FLOOR DRAIN WITH DECK PLATE AND EZ1™ TECHNOLOGY	<b>10</b>	GT2700-EXT GREASE INTERCEPTOR EXTENSIONS – 6"	<b>62</b>	Z1350 REPAIR KIT	<b>60</b>
EZ-5 5" TOP ASSEMBLY ADJUSTABLE ON GRADE FLOOR DRAIN WITH EZ1™ TECHNOLOGY	<b>6</b>	GT2700 GREASE INTERCEPTOR	<b>62</b>	Z1361 ENCASED GROUND HYDRANT	<b>56</b>
EZ-6 6" TOP ASSEMBLY ADJUSTABLE ON GRADE FLOOR DRAIN WITH EZ1™ TECHNOLOGY	<b>7</b>	GT2701 LOW PROFILE GREASE INTERCEPTOR	<b>63</b>	Z1361 REPAIR KIT	<b>60</b>
EZC2 5" TOP ASSEMBLY ADJUSTABLE FLOOR CLEANOUT WITH DECK PLATE AND EZ1™ TECHNOLOGY	<b>13</b>	GT2702-6-EXT	<b>64</b>	Z1391 POST HYDRANT	<b>56</b>
EZC 5" TOP ASSEMBLY ADJUSTABLE FLOOR CLEANOUT WITH EZ1™ TECHNOLOGY	<b>11</b>	GT2702 POLYETHYLENE GREASE INTERCEPTOR	<b>64</b>	Z1396XL LEAD-FREE YARD HYDRANT	<b>57</b>
EZC-6 6" TOP ASSEMBLY ADJUSTABLE FLOOR CLEANOUT WITH EZ1™ TECHNOLOGY	<b>12</b>	JP2210 PVC OR ABS DRAIN ADAPTOR – USED IN FD2208, FD2209, AND FD2210 MODELS	<b>35</b>	Z1396XL REPAIR KIT	<b>60</b>
FD1 ROUND TOPS	<b>19</b>	JP2211 PVC OR ABS 3" X 4" DRAIN ADAPTOR – USED IN FD2211, FD2212, AND FD2213 MODELS	<b>35</b>	Z1399-HG HYDRANT GUARD	<b>57</b>
FD1 SQUARE TOPS	<b>20</b>	JP2321 LOW PROFILE CAST IRON DRAIN ADAPTOR WITH CLAMPING COLLAR – USED IN MODELS FD2321	<b>36</b>	Z1399-HGS HYDRANT GUARD STEM	<b>57</b>
FD2 5" TOP ASSEMBLY ADJUSTABLE FLOOR DRAIN WITH DECK PLATE	<b>14</b>	JP2322 LOW PROFILE CAST IRON DRAIN ADAPTOR – USED IN FD2322 MODELS	<b>36</b>	Z1399XL-BFP LEAD-FREE BACKFLOW PREVENTER	<b>57</b>
FD2 5" TOP ASSEMBLY ADJUSTABLE FLOOR DRAIN WITH DECK PLATE	<b>21</b>	MS2624 COUNTERTOP DROP-IN SINK	<b>66</b>	Z1399XL-VB VACUUM BREAKER	<b>58</b>
FD 3" X 4" ADJUSTABLE FLOOR DRAIN	<b>18</b>	RD2120 MAIN AREA ROOF DRAIN – PVC OR ABS	<b>44</b>	Z1996 MOP SERVICE BASIN	<b>67</b>
FD2200-NT SMALL AREA FLOOR DRAIN CAST IRON NO-HUB CONNECTION	<b>25</b>	RD2130 CAST IRON, COMBINATION ROOF DRAIN AND OVERFLOW	<b>44</b>		
FD2200 SMALL AREA FLOOR DRAIN PVC OR ABS SOLVENT WELD CONNECTION	<b>24</b>	RD2150 REPLACEMENT ROOF DRAIN	<b>45</b>		
FD2201 GENERAL PURPOSE FLOOR DRAIN 2" X 3" PVC OR ABS CONNECTION	<b>25</b>	RD2190 UNIVERSAL MEMBRANE CLAMP KIT	<b>45</b>		
FD2202 GENERAL PURPOSE FLOOR DRAIN 3" X 4" PVC OR ABS CONNECTION	<b>26</b>	TP2923 TRAP SEAL PRIMER	<b>70</b>		
FD2210 ADJUSTABLE FLOOR DRAIN	<b>21</b>	TS2900 TRAP STANDARD	<b>70</b>		
FD2220 MEDIUM-DUTY FLOOR DRAIN	<b>26</b>	UF2970 HORIZONTAL URINAL FLANGE KIT	<b>73</b>		
FD2240 WOOD DECK DRAIN CAST IRON NO-HUB CONNECTION	<b>22</b>	UF2971 SPIGOT FIT URINAL FLANGE KIT	<b>73</b>		
FD2254 SHOWER DRAIN – ROUND	<b>27</b>	UF2972 RADIALLY ADJUSTABLE URINAL FLANGE KIT	<b>73</b>		
		WH2950-XL LEAD-FREE WATER HAMMER ARRESTOR	<b>71</b>		
		WM2960 WASHING MACHINE VALVE	<b>72</b>		
		WM2961 ENCASED WASHING MACHINE VALVE	<b>72</b>		
		Z843M1 SERVICE SINK FAUCET	<b>66</b>		
		Z1320-CXL-BFP LEAD-FREE ECOLOTROL WALL HYDRANT	<b>48</b>		



## GENERAL TERMS AND CONDITIONS

### PRICE AND TERMS OF PAYMENT

Terms are net, payable 30 days from date of invoice. Zurn Credit must be identified of potential pricing errors within 30 days of invoice date. Shortage claims must be reported within 10 working days of receiving product to your local Zurn Rep or Zurn Customer Care. The Buyer shall pay all sales, consumers, or other applicable taxes. A 1-1/2% monthly (18% annual) service charge will be added to the outstanding balance of all past due invoices.

Minimum invoice \$250.00. Zurn Water, LLC ("Zurn") reserves the right to apply a minimum order charge in order to meet the \$250.00 minimum invoice requirement. All orders are subject to credit approval by the Zurn Credit Department prior to the acceptance of an order. Orders may be refused, delivery may be withheld, or shipment stopped in transit without any liability on Zurn's part at Zurn's sole discretion based upon Buyer's credit worthiness as determined by Zurn.

### FREIGHT

All sales are F.O.B. seller's location. Zurn will allow full freight allowance when any of the following conditions are met: 1) Plumbing Fixtures only orders totaling \$10,000 or more; 2) Zurn One Systems orders of \$7,500 or more; 3) Any combination of Linear Drainage and/or Stainless Drains orders of \$5,000 or more; 4) Any combination of Specification Drainage, Finish Plumbing, and/or Zurn Wilkins of \$5,000 or more; 5) Commercial Drainage only orders of \$3,500 or more; 6) PEX orders of \$3,000 or more. This full freight allowance applies when the shipment is within the continental United States and has a single destination of a Buyer's standard address or job location. Routing of shipment shall be determined at the sole discretion of Zurn. Shipping dates are estimates and time of delivery shall not be of the essence of this sale contract. Under no circumstances will the Seller have any responsibility on account of any delays in manufacture, transportation, or otherwise. Terms of Export Shipment on application.

**NOTE:** Shipments in excess of 90" long or 3,000 lbs may be subject to additional charges, and shall be defined as an oversized and/or overweight product and Zurn's standard FFA terms may not apply. Please contact our Customer Service Department for guidance on potential additional shipping charges. This new policy supersedes any existing agreements.

These charges and restrictions apply in addition to Zurn standard terms and conditions for sale unless otherwise agreed upon by the parties.

### LIMITED WARRANTY

Zurn goods sold hereunder are warranted to be free from defects in material and factory workmanship for the period of time from the date of purchase: AquaVantage® Flush Valves, AquaFlush® Flush Valves, Commercial Fixtures, Faucets, Showers, and Tubular Brass: three years; Chemical Drainage, Linear Drainage, Commercial Drainage, Specification Drainage, Zurn Wilkins, and Flush Valve, Faucets, and Tubular Brass decorative finishes: one year; PHIX® Cartridge: ten years; FOG-ceptor®: thirty years. Where permitted by law, **THE IMPLIED WARRANTY OF MERCHANTABILITY IS LIMITED TO THE ABOVE IDENTIFIED PERIOD OF TIME AND SHALL BE LIMITED SOLELY TO THE REPLACEMENT OF THE DEFECTIVE GOODS.** A damaged/broken test cock or ball valve is not considered defective. Please contact Zurn Customer Care for assistance.

Zurn will replace goods at no cost that prove defective provided Zurn is notified in writing of such defect and the goods are returned prepaid at the specified Zurn location with evidence that they have been properly maintained and used in accordance with instructions. **ZURN SHALL NOT BE RESPONSIBLE FOR ANY LABOR CHARGES OR ANY LOSS, INJURY, OR DAMAGES WHATSOEVER, INCLUDING, BUT NOT LIMITED TO, INCIDENTAL OR CONSEQUENTIAL DAMAGES.** The sole and exclusive remedy shall be limited to the replacement of the defective goods. Before installation and use, the purchaser shall determine the suitability of the product for his intended use and the purchaser assumes all risk and liability whatever in the connection therewith. All weights stated in Zurn catalogs and lists are approximate and are not guaranteed.

### RETURNED GOODS

Standard cataloged material may be returned only with the written permission of Zurn. Returned goods are subject to a 25% restocking charge of total saleable material returned, plus the cost of reconditioning, if necessary, to make material sellable. Transportation charges are the responsibility of the Buyer. Credit allowance will be in the form of merchandise credit only – not cash credit. The value of the return must total at least \$100.00 to qualify for credit allowance. No credit will be allowed for parts unless originally ordered and invoiced as parts. No credit will be allowed for discontinued or made-to-order items. Items that have been specially made are not subject to return or cancellation except by special negotiation. Material must be returned within one year of invoice date for credit to be issued for Commercial Fixtures, Flush Valve Products, Specification Drainage, Tubular Brass, Zurn Wilkins, Chemical Drainage, Linear Drainage, and Commercial Drainage. No credit is allowed for Linear Drainage products that have been cut and Specification Drainage product with auxiliary tapings. Flush Valve material over one year old will be subject to a 50% handling charge. Flush Valve material over five years old will not be accepted. Commercial Drainage and Specification Drainage galvanized material will be credited at value of Dura-Coated cast iron, and chrome-plated at value of bronze. Zurn Wilkins damaged/broken test cocks or ball valves are not considered defective.

### ILLUSTRATIONS OF TYPICAL INSTALLATIONS

The typical installations for various products found in each product section are intended to illustrate the products and potential options for the use of these products. Under no circumstances are they to be construed as recommended installation procedures. Consult local codes and project specifications for proper installation instructions.

### SHORTAGE/DAMAGE CLAIMS

Notification of material shortages or incorrect filling of orders must be made to Zurn within 10 days of receipt. No claims over three months old will be honored. Buyer agrees to make all complaints for damage in transit or "short count" directly to the carrier; before the contents are unloaded have the carrier agent's acknowledgment of such damage noted on the bill of lading and to present to the carrier its agent's acknowledgment of such damaged material with formal claim covering said damage.

### GENERAL

Zurn reserves the right to make changes in design or equipment of any item or product without incurring any obligation on previously sold items, and to discontinue items at any time, without notice. Possession of this Catalog or other sales literature is not to be construed as an offer to sell. All orders are subject to acceptance by Zurn. Catalog printed in U.S.A.

Zurn flush valves are designed to comply with Army Corp of Engineers and Naval guide specifications, Military Specification MIL.V.29193 and Federal Specification WWP541.

Zurn flush valves comply with the following standards: ASME A112.18.1/CSA B125.1, A112.19.5, A112.19.2, A112.19.6, ASSE 1037 and 101 are listed by the following agencies: Canadian Standards, IAPMO/UPC/CUPC, and CSA 125.3. Zurn flush valves are manufactured from dezincification resistant alloys. For additional compliances, contact Zurn Water, LLC, Finish Plumbing Operation, or 1-800-997-3876.

Zurn is not responsible for typographical errors. The contents of this guide are subject to revision without notice.

© 2024 Zurn Water, LLC Items in this guide may be covered by U.S. and foreign Patents and Patents Pending. Registered Trademarks.

