

Stainless Steel Drains

SSD0424 Customer Guide – CANADA



ZURN.CA US 1.855.ONE.ZURN CANADA 1.877.892.5216



Effective April 1, 2024
Replaces All Previous Price Lists

INTRODUCTION

TABLE OF CONTENTS – BY SECTION

PRODUCT HIGHLIGHT

STAINLESS STEEL FLOOR DRAINS and CLEANOUTS with List Price

Z1800-12B 12" DIAMETER ROUND INDUSTRIAL FLOOR DRAIN	4
Z1800-12S 12" X 12" SQUARE INDUSTRIAL FLOOR DRAIN	4
Z1830-12B 12" DIAMETER INDUSTRIAL FLOOR DRAIN 8" SUMP DEPTH	5
Z1830-12S 12" X 12" INDUSTRIAL FLOOR DRAIN 8" SUMP DEPTH	5
Z1832 6" DIAMETER ROUND DRAIN	6
Z1833 8" DIAMETER ROUND DRAIN	6
Z1840-6B 6" DIAMETER INDUSTRIAL FLOOR CLEANOUT	7
Z1840-6S 6" X 6" INDUSTRIAL FLOOR CLEANOUT	7
Z1840-8B 8" DIAMETER INDUSTRIAL FLOOR CLEANOUT	8
Z1840-8S 8" X 8" INDUSTRIAL FLOOR CLEANOUT	8

STAINLESS STEEL FLOOR RECEPTORS and SINKS with List Price

Z1850 12" X 12" SANI-FLOOR RECEPTOR 6" SUMP DEPTH	9
Z1851 12" X 12" SANI-FLOOR RECEPTOR 8" SUMP DEPTH	9
Z1852 12" X 12" SANI-FLOOR RECEPTOR 10" SUMP DEPTH	10
Z1860 INDUSTRIAL TRAP DRAIN	11
Z1870 HUB DRAIN	11
Z1890 P-TRAP	12
Z1899 12" ROUND INDUSTRIAL DOUBLE CONTAINMENT SANITARY DRAIN	12

STAINLESS STEEL TRENCH

ZS890 6" WIDE SANI-FLO® TRENCH DRAIN SYSTEM	13
Z891 STAINLESS STEEL SLOTTED DRAINAGE SYSTEM	14
Z893 STAINLESS STEEL FLOOR RECEPTOR WITH BAR GRATE	15
Z894 24" WIDE TRENCH DRAIN SYSTEM	16
ZS895 12" WIDE SANI-FLO® TRENCH DRAIN SYSTEM	17
Z898 18" WIDE TRENCH DRAIN SYSTEM	18
Z897 STAINLESS STEEL CATCH BASIN	19

TECHNICAL INFORMATION

TECHNICAL INFO – STAINLESS STEEL DRAINS BUTT-WELD ENGINEERING DATA	22
TECHNICAL INFO – OUTLET PIPE CONNECTIONS	23
TECHNICAL INFO – TOP LOADING CLASSIFICATION	24
TECHNICAL INFO – EZ STOP LOCK	25
TECHNICAL INFO – EZ STOP LOCK	26
TECHNICAL INFO – EZ STOP LOCK	27
TECHNICAL INFO – BUTTERFLY LOCKING VALVE	27
GENERAL TERMS AND CONDITIONS	28

STAINLESS STEEL DRAINS

with List Price

Z1800-12B 12" DIAMETER ROUND INDUSTRIAL FLOOR DRAIN	4
Z1800-12S 12" X 12" SQUARE INDUSTRIAL FLOOR DRAIN	4
Z1830-12B 12" DIAMETER INDUSTRIAL FLOOR DRAIN 8" SUMP DEPTH	5
Z1830-12S 12" X 12" INDUSTRIAL FLOOR DRAIN 8" SUMP DEPTH	5
Z1832 6" DIAMETER ROUND DRAIN	6
Z1833 8" DIAMETER ROUND DRAIN	6
Z1840-6B 6" DIAMETER INDUSTRIAL FLOOR CLEANOUT	7
Z1840-6S 6" X 6" INDUSTRIAL FLOOR CLEANOUT	7
Z1840-8B 8" DIAMETER INDUSTRIAL FLOOR CLEANOUT	8
Z1840-8S 8" X 8" INDUSTRIAL FLOOR CLEANOUT	8
Z1850 12" X 12" SANI-FLO® RECEPTOR 6" SUMP DEPTH	9
Z1851 12" X 12" SANI-FLO® RECEPTOR 8" SUMP DEPTH	9
Z1852 12" X 12" SANI-FLO® RECEPTOR 10" SUMP DEPTH	10
Z1860 INDUSTRIAL TRAP DRAIN	11
Z1870 HUB DRAIN	11
Z1890 P-TRAP	12
Z1899 12" ROUND INDUSTRIAL DOUBLE CONTAINMENT SANITARY DRAIN	12
ZS890 6" WIDE SANI-FLO® TRENCH DRAIN SYSTEM	13
Z891 STAINLESS STEEL SLOTTED DRAINAGE SYSTEM	14
Z893 STAINLESS STEEL FLOOR RECEPTOR WITH BAR GRATE	15
Z894 24" WIDE TRENCH DRAIN SYSTEM	16
ZS895 12" WIDE SANI-FLO® TRENCH DRAIN SYSTEM	17
Z898 18" WIDE TRENCH DRAIN SYSTEM	18
Z897 STAINLESS STEEL CATCH BASIN	19

Z1800-12B 12" DIAMETER ROUND INDUSTRIAL FLOOR DRAIN

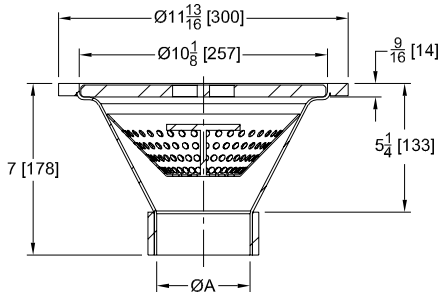
[SDcSN-R42120] **NEW**



ENGINEERING SPECIFICATION

12" [305] Diameter x 7" [178] Deep, 12 gauge, type 304 stainless steel, round industrial sanitary floor drain features loose set heavy duty slotted grate (1/2" [13] Thick Plate) with finger holes, 9/16" [14] top frame, perforated removable sediment bucket with lift handle, pre-pour stabilizing anchor tabs, and bead blasted finish.

A Pipe Size inches [mm]	Approximate Weight lb [kg]	Grate Open Area sq in [cm ²]
Butt-Weld / No-Hub		
2 [51], 3 [76], 4 [102], 6 [152]	18 [8]	19.2 [124]



Three anchor tabs spaced 120 degrees apart not represented in cross section view.

PREFIXES	DESCRIPTION	A PIPE SIZE	LIST PRICE
Z1800-12B*	Type 304 (CF8) Stainless Steel*	2", 3", 4"	2,316.00
		6"	2,509.00
ZM1800-12B	Type 316 (CF8M) Stainless Steel	2", 3", 4"	2,779.00
		6"	3,011.00

OUTLETS (SPECIFY PIPE SIZE IN INCHES AND TYPE OF OUTLET)			
OUTLET TYPE		PIPE SIZE/OUTLET TYPE	ADD
BW	Butt-Weld (Schedule 40)	2BW, 3BW, 4BW, 6BW	N/C
NH	No-Hub (Schedule 10)	2NH, 3NH, 4NH, 6NH	N/C

GRATE OPTIONS			ADD
-2	1/2 Grate		N/C
-3	3/4 Grate		N/C
-H3	Heavy Duty Perimeter Gap - 1/2" Plate		375.00
-H5	Heavy Duty Slotted Grate - 1/2" Plate with Finger Holes		375.00

SUFFIXES			ADD
-A	Adjustable Threaded Outlet		734.00
-BF	Butterfly Lock Sediment Basket (4" SCH 40 Outlet Only)		1,026.00
-K	Anchor Flange		370.00
-KC	Anchor Flange with Seepage Holes and Clamp Collar		1,323.00
-MG	EZLock Magnetic Lock System		492.00
-P	1/2" Trap Primer Connection		128.00
-VP	Vandal Proof		426.00

Z1800-12S 12" X 12" SQUARE INDUSTRIAL FLOOR DRAIN

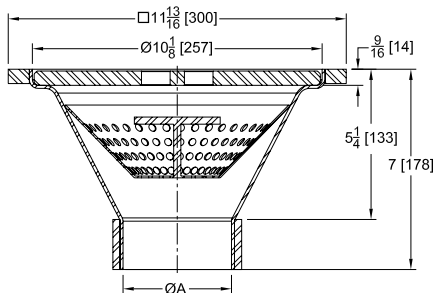
[SDcSN-Q42120] **NEW**



ENGINEERING SPECIFICATION

12" x 12" x 7" [305 x 305 x 178] Deep, 12 gauge, type 304 stainless steel, square industrial sanitary floor drain features loose set heavy duty slotted grate (1/2" [13] Thick Plate) with finger holes, 9/16" [14] top frame, perforated removable sediment bucket with lift handle, pre-pour stabilizing anchor tabs, and bead blasted finish.

A Pipe Size inches [mm]	Approximate Weight lb [kg]	Grate Open Area sq in [cm ²]
Butt-Weld / No-Hub		
2 [51], 3 [76], 4 [102], 6 [152]	18 [8]	19.2 [124]



Three anchor tabs spaced 120 degrees apart not represented in cross section view.

PREFIXES	DESCRIPTION	A PIPE SIZE	LIST PRICE
Z1800-12S*	Type 304 (CF8) Stainless Steel*	2", 3", 4"	2,316.00
		6"	2,509.00
ZM1800-12S	Type 316 (CF8M) Stainless Steel	2", 3", 4"	2,779.00
		6"	3,011.00

OUTLETS (SPECIFY PIPE SIZE IN INCHES AND TYPE OF OUTLET)			
OUTLET TYPE		PIPE SIZE/OUTLET TYPE	ADD
BW	Butt-Weld (Schedule 40)	2BW, 3BW, 4BW, 6BW	N/C
NH	No-Hub (Schedule 10)	2NH, 3NH, 4NH, 6NH	N/C

GRATE OPTIONS			ADD
-2	1/2 Grate		N/C
-3	3/4 Grate		N/C
-H3	Heavy Duty Perimeter Gap - 1/2" Plate		375.00
-H5	Heavy Duty Slotted Grate - 1/2" Plate with Finger Holes		375.00

SUFFIXES			ADD
-A	Adjustable Threaded Outlet		734.00
-BF	Butterfly Lock Sediment Basket (4" SCH 40 Outlet Only)		1,026.00
-K	Anchor Flange		370.00
-KC	Anchor Flange with Seepage Holes and Clamp Collar		1,323.00
-MG	EZLock Magnetic Lock System		492.00
-P	1/2" Trap Primer Connection		128.00
-VP	Vandal Proof		426.00

Z1830-12B 12" DIAMETER INDUSTRIAL FLOOR DRAIN 8" SUMP DEPTH

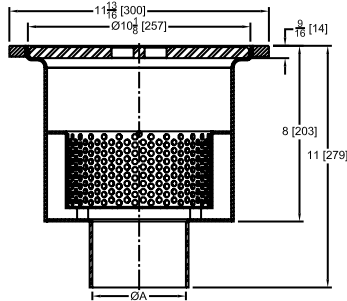
[SDcDS-R42120] **NEW**



ENGINEERING SPECIFICATION

12" [305] Diameter X 8" [203] Deep, 12 gauge, type 304 stainless steel, round industrial sanitary floor drain features loose set heavy duty slotted grate (1/2" Thick Plate) with finger holes, 9/16" [14] top frame, perforated removable sediment bucket with lift handle, pre-pour stabilizing anchor tabs, and bead blasted finish.

A Pipe Size inches [mm]	Approximate Weight lb [kg]	Grate Open Area sq in [cm ²]
Butt-Weld / No-Hub		
3 [76], 4 [102], 6 [152]	25 [11]	15 [97]



Three anchor tabs spaced 120 degrees apart not represented in cross section view.

PREFIXES	DESCRIPTION	A PIPE SIZE	LIST PRICE
Z1830-12B*	Type 304 (CF8) Stainless Steel*	3", 4"	2,801.00
		6"	3,043.00
ZM1830-12B	Type 316 (CF8M) Stainless Steel	3", 4"	3,364.00
		6"	3,656.00

OUTLETS (SPECIFY PIPE SIZE IN INCHES AND TYPE OF OUTLET)			
OUTLET TYPE	PIPE SIZE/OUTLET TYPE	ADD	
BW	Butt-Weld	3BW, 4BW, 6BW	N/C
NH	No-Hub	3NH, 4NH, 6NH	N/C

GRATE OPTIONS		
		ADD
-H3	Heavy Duty Perimeter Gap - 1/2" Plate	375.00
-H5	Heavy Duty Slotted Grate - 1/2" Plate with Finger Holes	375.00

SUFFIXES		
		ADD
-A	Adjustable Threaded Outlet	734.00
-B	Bell Trap	734.00
-BF	Butterfly Lock Sediment Basket (4" SCH 40 Outlet Only)	1,026.00
-K	Anchor Flange	370.00
-KC	Anchor Flange with Seepage Holes and Clamp Collar	1,323.00
-MG	EZLock Magnetic Lock System	492.00
-P	1/2" Trap Primer Connection	128.00
-10	10" Deep Sump	128.00

Z1830-12S 12" X 12" INDUSTRIAL FLOOR DRAIN 8" SUMP DEPTH

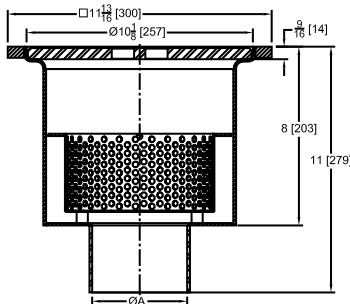
[SDcDS-Q42120] **NEW**



ENGINEERING SPECIFICATION

12 x 12 x 8 Deep, 12 gauge, type 304 stainless steel, square industrial sanitary floor drain features loose set heavy duty slotted grate (1/2" Thick Plate) with finger holes, 9/16" top frame, perforated removable sediment bucket with lift handle, pre-pour stabilizing anchor tabs, and bead blasted finish.

A Pipe Size inches [mm]	Approximate Weight lb [kg]	Grate Open Area sq in [cm ²]
Butt-Weld / No-Hub		
3 [76], 4 [102], 6 [152]	30 [14]	19.2 [124]



Three anchor tabs spaced 120 degrees apart not represented in cross section view.

PREFIXES	DESCRIPTION	A PIPE SIZE	LIST PRICE
Z1830-12S*	Type 304 (CF8) Stainless Steel*	3", 4"	2,801.00
		6"	3,043.00
ZM1830-12S	Type 316 (CF8M) Stainless Steel	3", 4"	3,364.00
		6"	3,656.00

OUTLETS (SPECIFY PIPE SIZE IN INCHES AND TYPE OF OUTLET)			
OUTLET TYPE	PIPE SIZE/OUTLET TYPE	ADD	
BW	Butt-Weld (Schedule 40)	3BW, 4BW, 6BW	N/C
NH	No-Hub (Schedule 10)	3NH, 4NH, 6NH	N/C

GRATE OPTIONS		
		ADD
-H3	Heavy Duty Perimeter Gap - 1/2" Plate	375.00
-H5	Heavy Duty Slotted Grate - 1/2" Plate with Finger Holes	375.00

SUFFIXES		
		ADD
-A	Adjustable Threaded Outlet	734.00
-BF	Butterfly Lock Sediment Basket (4" SCH 40 Outlet Only)	1,026.00
-K	Anchor Flange	370.00
-KC	Anchor Flange with Seepage Holes and Clamp Collar	1,323.00
-MG	EZLock Magnetic Lock System	492.00
-P	1/2" Trap Primer Connection	128.00
-6	6" Deep Sump	N/C
-10	10" Deep Sump	128.00
-12	12" Deep Sump	353.00

*Regularly furnished unless otherwise specified.

Items designated as Best Sellers are most specified and are generally in stock for shipment.

⌚ This symbol denotes a product that is engineered to reduce installation and rework time.

For additional product information, please visit www.zurn.ca

Z1832 6" DIAMETER ROUND DRAIN

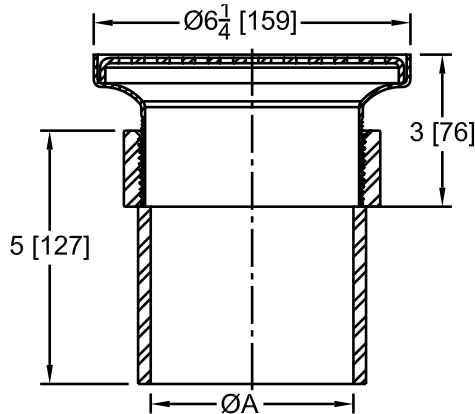
[SDcAD-R42060] **NEW**



ENGINEERING SPECIFICATION

Zurn Z1832 6-1/4" [159] Diameter 3" Deep, 12 gauge, type 304 stainless steel, round drain features light duty perforated grates, and bead blasted finish. Replaces 1786.

Dimensions in inches [mm]	Approximate Weight lb [kg]
A	
3NH, 4NH	6 [3]



Note: Shown with -A Adjustable Threaded Outlet.

PREFIXES	DESCRIPTION	A PIPE SIZE	LIST PRICE
Z1832*	Type 304 (CF8) Stainless Steel Body	3", 4"	916.00
ZM1832	Type 316 (CF8M) Stainless Steel Body	3", 4"	1,098.00
OUTLETS (SPECIFY PIPE SIZE IN INCHES AND TYPE OF OUTLET)			
OUTLET TYPE	PIPE SIZE/OUTLET TYPE		ADD
NH	No-Hub (Schedule 10)	3NH, 4NH, 6NH	N/C
GRATE OPTIONS			
			ADD
-H3	Heavy Duty Perimeter Gap - 1/2" Plate		375.00
-H5	Heavy Duty Slotted Grate - 1/2" Plate with Finger Holes		375.00
SUFFIXES			
			ADD
-A	Adjustable Threaded Outlet		734.00
-K	Anchor Flange		282.00
-KC	Anchor Flange with Seepage Holes and Clamp Collar		370.00
-P	1/2" Trap Primer Connection		128.00

Z1833 8" DIAMETER ROUND DRAIN

[SSDcAD-R42080] **NEW**

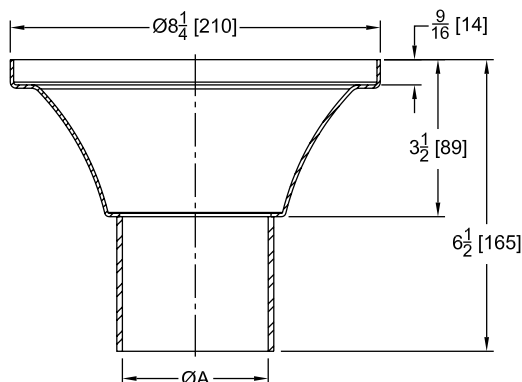


Shown with optional -H5 grate.
Perforated grate is standard.

ENGINEERING SPECIFICATION

Zurn Z1833 8-1/4" [210] Diameter 3-1/2" [89] Deep, 12 gauge, type 304 stainless steel, round drain features light duty perforated grates, and bead blasted finish. Drain manufactured without any inside seams or welds to eliminate hidden areas for bacteria growth. Replaces Z1788.

Dimensions in inches [mm]	Approximate Weight lb [kg]
A	
Butt-Weld (BW)	
2BW, 3BW, 4BW, 6BW	6 [3]
No-Hub (NH)	
2NH, 3NH, 4NH, 6NH	6 [3]



PREFIXES	DESCRIPTION	A PIPE SIZE	LIST PRICE
Z1833*	Type 304 (CF8) Stainless Steel Body	2", 3", 4", 6"	1,203.00
ZM1833	Type 316 (CF8M) Stainless Steel Body	2", 3", 4", 6"	1,440.00
OUTLETS (SPECIFY PIPE SIZE IN INCHES AND TYPE OF OUTLET)			
OUTLET TYPE	PIPE SIZE/OUTLET TYPE		ADD
BW	Butt-Weld (Schedule 40)	2BW, 3BW, 4BW, 6BW	N/C
NH	No-Hub (Schedule 10)	2NH, 3NH, 4NH, 6NH	N/C
GRATE OPTIONS			
			ADD
-2	1/2 Grate		N/C
-3	3/4 Grate		N/C
-H3	Heavy Duty Perimeter Gap - 1/2" Plate		375.00
-H5	Heavy Duty Slotted Grate - 1/2" Plate with Finger Holes		375.00
SUFFIXES			
			ADD
-A	Adjustable Threaded Outlet		734.00
-BF	Butterfly Lock Sediment Basket (4" SCH 40 Outlet Only)		519.00
-K	Anchor Flange		282.00
-KC	Anchor Flange with Seepage Holes and Clamp Collar		370.00
-P	1/2" Trap Primer Connection		128.00
-VP	Vandal Proof		405.00
-YS	Sediment Basket		492.00

For additional product information, please visit www.zurn.ca

*Regularly furnished unless otherwise specified.

Items designated as Best Sellers are most specified and are generally in stock for shipment.

Ⓢ This symbol denotes a product that is engineered to reduce installation and rework time.

Z1840-6B 6" DIAMETER INDUSTRIAL FLOOR CLEANOUT

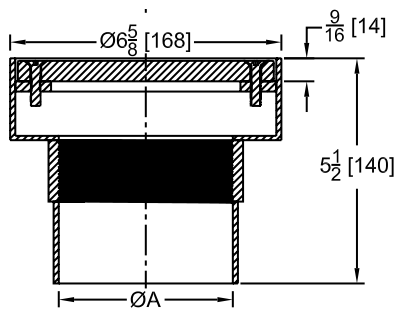
[SDcCL-R42060] **NEW**



ENGINEERING SPECIFICATION

6-5/8" [168] Diameter, 12 gauge, type 304 stainless steel, round industrial sanitary cleanout features heavy duty grate (1/2" Thick Plate), PVC plug, and bead blasted finish.

Dimensions in inches [mm]				Approximate Weight lb [kg]
A Pipe Size	B N.P.T.	E Body Height Dimensions	Top Size	
Butt-Weld / No-Hub				10 [5]
2 [51]	2-1/2"	5-1/2 [141]	6-5/8 [168]	
3 [76]	2-1/2"	5-1/2 [141]	6-5/8 [168]	
4 [102]	3-1/2"	5-1/2 [141]	6-5/8 [168]	



Z1840-6S 6" X 6" INDUSTRIAL FLOOR CLEANOUT

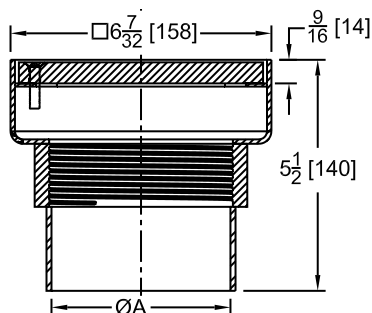
[SDcCL-Q42060] **NEW**



ENGINEERING SPECIFICATION

6" Square, 12 gauge, type 304 stainless steel, square industrial sanitary cleanout features heavy duty grate (1/2" Thick Plate), PVC plug, and bead blasted finish.

Dimensions in inches [mm]				Approximate Weight lb [kg]
A Pipe Size	B N.P.T.	E Body Height Dimensions	Top Size	
Butt-Weld / No-Hub				10 [5]
2 [51]	2-1/2"	5-1/2 [141]	6-7/32 [158]	
3 [76]	2-1/2"	5-1/2 [141]	6-7/32 [158]	
4 [102]	3-1/2"	5-1/2 [141]	6-7/32 [158]	



PREFIXES	DESCRIPTION	A PIPE SIZE	LIST PRICE	
Z1840-6B*	Type 304 (CF8) Stainless Steel*	2", 3", 4"	1,440.00	
ZM1840-6B	Type 316 (CF8M) Stainless Steel	2", 3", 4"	1,727.00	
OUTLETS (SPECIFY PIPE SIZE IN INCHES AND TYPE OF OUTLET)				
OUTLET TYPE	PIPE SIZE/OUTLET TYPE	'E' BODY HT. DIM.	ADD	
BW	Butt-Weld (Schedule 40)	2BW	5-1/2"	N/C
		3BW	5-1/2"	N/C
		4BW	5-1/2"	N/C
NH	No-Hub (Schedule 10)	2NH	5-1/2"	N/C
		3NH	5-1/2"	N/C
		4NH	5-1/2"	N/C
SUFFIXES			ADD	
-A	Adjustable Threaded Outlet		734.00	

PREFIXES	DESCRIPTION	A PIPE SIZE	LIST PRICE	
Z1840-6S*	Type 304 (CF8) Stainless Steel*	2", 3", 4"	1,710.00	
ZM1840-6S	Type 316 (CF8M) Stainless Steel	2", 3", 4"	2,051.00	
OUTLETS (SPECIFY PIPE SIZE IN INCHES AND TYPE OF OUTLET)				
OUTLET TYPE	PIPE SIZE/OUTLET TYPE	'E' BODY HT. DIM.	ADD	
BW	Butt-Weld (Schedule 40)	2BW	5-1/2"	N/C
		3BW	5-1/2"	N/C
		4BW	5-1/2"	N/C
NH	No-Hub (Schedule 10)	2NH	5-1/2"	N/C
		3NH	5-1/2"	N/C
		4NH	5-1/2"	N/C
SUFFIXES			ADD	
-A	Adjustable Threaded Outlet		734.00	

*Regularly furnished unless otherwise specified.

Items designated as Best Sellers are most specified and are generally in stock for shipment.

⌚ This symbol denotes a product that is engineered to reduce installation and rework time.

For additional product information, please visit www.zurn.ca

Z1840-8B 8" DIAMETER INDUSTRIAL FLOOR CLEANOUT

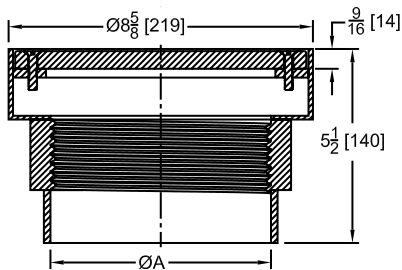
[SDcCL-R42080] **NEW**



ENGINEERING SPECIFICATION

8-5/8" Diameter, 12 gauge, type 304 stainless steel, round industrial sanitary cleanout features heavy duty grate (1/2" Thick Plate), PVC plug, and bead blasted finish.

Dimensions in inches [mm]			Approximate Weight lb [kg]
A Pipe Size	B N.P.T.	Top Size	
Butt-Weld / No-Hub			
2 [51]	2-1/2"	8-5/8 [219]	20 [9]
3 [76]	2-1/2"	8-5/8 [219]	20 [9]
4 [102]	3-1/2"	8-5/8 [219]	20 [9]
6 [152]	5-1/2"	8-5/8 [219]	20 [9]



PREFIXES	DESCRIPTION	A PIPE SIZE	LIST PRICE
Z1840-8B*	Type 304 (CF8) Stainless Steel*	2", 3", 4", 6"	2,558.00
ZM1840-8B	Type 316 (CF8M) Stainless Steel	2", 3", 4", 6"	3,072.00
OUTLETS (SPECIFY PIPE SIZE IN INCHES AND TYPE OF OUTLET)			
OUTLET TYPE	PIPE SIZE/OUTLET TYPE		ADD
BW	Butt-Weld (Schedule 40)	2BW, 3BW, 4BW, 6BW	N/C
NH	No-Hub (Schedule 10)	2NH, 3NH, 4NH, 6NH	N/C
SUFFIXES			ADD
-A	Adjustable Threaded Outlet		734.00

Z1840-8S 8" X 8" INDUSTRIAL FLOOR CLEANOUT

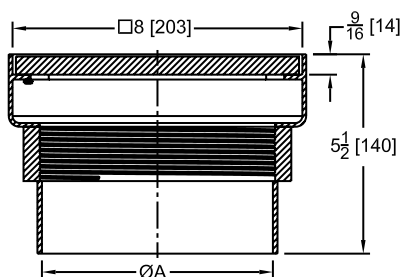
[SDcCL-Q42080] **NEW**



ENGINEERING SPECIFICATION

8 [203] Square, 12 gauge, type 304 stainless steel, square industrial sanitary cleanout features heavy duty grate (1/2" Thick Plate), PVC plug, and bead blasted finish.

Dimensions in inches [mm]			Approximate Weight lb [kg]
A Pipe Size	B N.P.T.	Top Size	
Butt-Weld / No-Hub			
2 [51]	5-1/2"	8 [203]	18 [8]
3 [76]	5-1/2"	8 [203]	18 [8]
4 [102]	5-1/2"	8 [203]	18 [8]
6 [152]	5-1/2"	8 [203]	18 [8]



PREFIXES	DESCRIPTION	A PIPE SIZE	LIST PRICE
Z1840-8S*	Type 304 (CF8) Stainless Steel*	2", 3", 4", 6"	2,801.00
ZM1840-8S	Type 316 (CF8M) Stainless Steel	2", 3", 4", 6"	3,364.00
OUTLETS (SPECIFY PIPE SIZE IN INCHES AND TYPE OF OUTLET)			
OUTLET TYPE	PIPE SIZE/OUTLET TYPE		ADD
BW	Butt-Weld (Schedule 40)	2BW, 3BW, 4BW, 6BW	N/C
NH	No-Hub (Schedule 10)	2NH, 3NH, 4NH, 6NH	N/C
SUFFIXES			ADD
-A	Adjustable Threaded Outlet		734.00

Z1850 12" X 12" SANI-FLOR RECEPTOR 6" SUMP DEPTH

[SDcFS-Q44120]

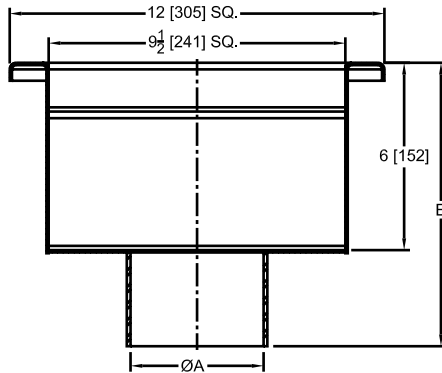
NEW



ENGINEERING SPECIFICATION

Zurn Z1850 12" x 12" x 6" [305 x 305 x 152] Deep, 14 gauge, type 304 stainless steel, loose set 12 ga Light Duty perforated grate, stainless steel sediment basket. Replaces Z1750-SDC.

Dimensions in inches [mm]		Approximate Weight lb [kg]
A		
Butt-Weld (BW)		
2BW, 3BW, 4BW, 6BW		10 [5]
No-Hub (NH)		
2NH, 3NH, 4NH, 6NH		10 [5]



Z1851 12" X 12" SANI-FLOR RECEPTOR 8" SUMP DEPTH

[SDcFS-Q44120]

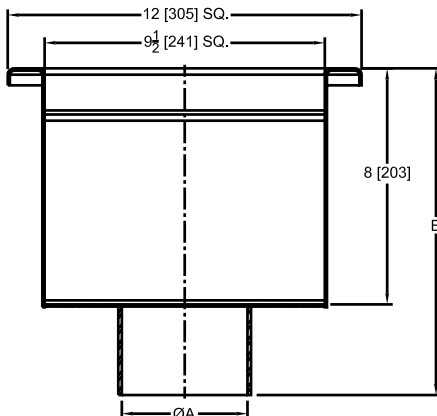
NEW



ENGINEERING SPECIFICATION

Zurn Z1851 12" x 12" x 8" [305 x 305 x 203] Deep, 14 gauge, type 304 stainless steel, loose set 12 ga Light Duty perforated grate, stainless steel sediment basket. Replaces Z1751-SDC.

Dimensions in inches [mm]		Approximate Weight lb [kg]
A		
Butt-Weld (BW)		
2BW, 3BW, 4BW, 6BW		11 [5]
No-Hub (NH)		
2NH, 3NH, 4NH, 6NH		11 [5]



PREFIXES	DESCRIPTION	A PIPE SIZE	LIST PRICE
Z1850*	Type 304 (CF8) Stainless Steel Body	2", 3", 4"	3,501.00
		6"	3,805.00
ZM1850	Type 316 (CF8M) Stainless Steel Body	2", 3", 4"	4,207.00
		6"	4,571.00

OUTLETS (SPECIFY PIPE SIZE IN INCHES AND TYPE OF OUTLET)			
OUTLET TYPE		PIPE SIZE/OUTLET TYPE	ADD
BW	Butt-Weld (Schedule 40)	2BW, 3BW, 4BW, 6BW	N/C
NH	No-Hub (Schedule 10)	2NH, 3NH, 4NH, 6NH	N/C
GRATE OPTIONS			
-2	1/2 Grate		N/C
-3	3/4 Grate		N/C
-HD	Heavy Duty Slotted Grate		1,544.00
SUFFIXES			
-A	Adjustable Threaded Outlet		734.00
-BF	Butterfly Lock Sediment Basket (4" SCH 40 Outlet Only)		1,026.00
-K	Anchor Flange		492.00
-KC	Anchor Flange with Seepage Holes and Clamp Collar		965.00
-MG	EZLock Magnetic Lock System		492.00
-P	1/2" Trap Primer Connection		238.00
-VP	Vandal Proof		574.00

PREFIXES	DESCRIPTION	A PIPE SIZE	LIST PRICE
Z1851*	Type 304 (CF8) Stainless Steel Body	2", 3", 4"	3,667.00
		6"	3,986.00
ZM1851	Type 316 (CF8M) Stainless Steel Body	2", 3", 4"	4,400.00
		6"	4,785.00

OUTLETS (SPECIFY PIPE SIZE IN INCHES AND TYPE OF OUTLET)			
OUTLET TYPE		PIPE SIZE/OUTLET TYPE	ADD
BW	Butt-Weld (Schedule 40)	2BW, 3BW, 4BW, 6BW	N/C
NH	No-Hub (Schedule 10)	2NH, 3NH, 4NH, 6NH	N/C
GRATE OPTIONS			
-2	1/2 Grate		N/C
-3	3/4 Grate		N/C
-HD	Heavy Duty Slotted Grate		1,622.00
SUFFIXES			
-A	Adjustable Threaded Outlet		734.00
-BF	Butterfly Lock Sediment Basket (4" SCH 40 Outlet Only)		1,026.00
-K	Anchor Flange		492.00
-KC	Anchor Flange with Seepage Holes and Clamp Collar		965.00
-MG	EZLock Magnetic Lock System		492.00
-P	1/2" Trap Primer Connection		238.00
-VP	Vandal Proof		574.00

For additional product information, please visit www.zurn.ca

INTRO

SS DRAINS

TECH INFO

Z1852 12" X 12" SANI-FLOR RECEPTOR 10" SUMP DEPTH

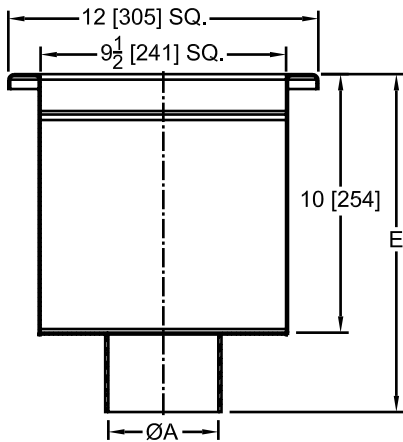
[SDcFS-Q44120] **NEW**



ENGINEERING SPECIFICATION

Zurn Z1852 12" x 12" x 10" [305 x 305 x 254] Deep, 14 gauge, type 304 stainless steel, loose set 12 ga Light Duty perforated grate, stainless steel sediment basket. Replaces Z1752-SDC.

Dimensions in inches [mm]		Approximate Weight lb [kg]
A		
Butt-Weld (BW)		
2BW, 3BW, 4BW, 6BW		13 [6]
No-Hub (NH)		
2NH, 3NH, 4NH, 6NH		14 [6]



PREFIXES	DESCRIPTION	A PIPE SIZE	LIST PRICE
Z1852*	Type 304 (CF8) Stainless Steel Body	2", 3", 4"	3,976.00
		6"	4,317.00
ZM1852	Type 316 (CF8M) Stainless Steel Body	2", 3", 4"	4,763.00
		6"	5,177.00

OUTLETS (SPECIFY PIPE SIZE IN INCHES AND TYPE OF OUTLET)			
OUTLET TYPE		PIPE SIZE/OUTLET TYPE	ADD
BW	Butt-Weld (Schedule 40)	2BW, 3BW, 4BW, 6BW	N/C
NH	No-Hub (Schedule 10)	2NH, 3NH, 4NH, 6NH	N/C
GRATE OPTIONS			ADD
-2	1/2 Grate		N/C
-3	3/4 Grate		N/C
-HD	Heavy Duty Slotted Grate		1,622.00
SUFFIXES			ADD
-A	Adjustable Threaded Outlet		734.00
-BF	Butterfly Lock Sediment Basket (4" SCH 40 Outlet Only)		1,026.00
-K	Anchor Flange		492.00
-KC	Anchor Flange with Seepage Holes and Clamp Collar		965.00
-MG	EZLock Magnetic Lock System		492.00
-P	1/2" Trap Primer Connection		238.00
-VP	Vandal Proof Secured Top		574.00

Z1860 INDUSTRIAL TRAP DRAIN

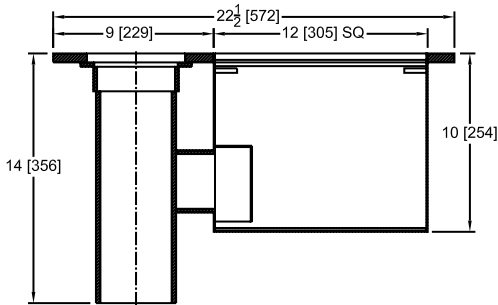
[SDcTP-Q42220] **NEW**



ENGINEERING SPECIFICATION

10" [254] Deep, 12 gauge, type 304 stainless steel, trap floor drain features loose set heavy duty slotted grate (1/2" Thick Plate), 9/16" [14] top frame, perforated removable sediment bucket with lift handle, and bead blasted finish. Trap drains manufactured to capture debris and gases passing through drain systems to prevent clogging and maximize flow.

Dimensions in inches [mm]		Approximate Weight lb [kg]
A Pipe Size		
Butt-Weld / No-Hub		
4 [102]		54 [24]



PREFIXES	DESCRIPTION	A PIPE SIZE	LIST PRICE
Z1860*	Type 304 (CF8) Stainless Steel*	3", 4"	4,505.00
ZM1860	Type 316 (CF8M) Stainless Steel	3", 4"	5,403.00
OUTLETS (SPECIFY PIPE SIZE IN INCHES AND TYPE OF OUTLET)			
OUTLET TYPE	PIPE SIZE/OUTLET TYPE		ADD
BW	Butt-Weld (Schedule 40)	3BW, 4BW	N/C
NH	No-Hub (Schedule 10)	3NH, 4NH	N/C
SUFFIXES			ADD
-P	1/2" Trap Primer Connection		128.00

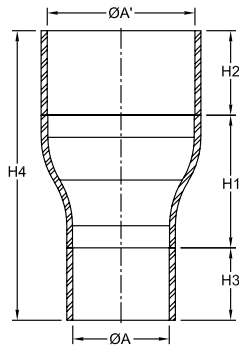
Z1870 HUB DRAIN

[SDcHD] **NEW**



ENGINEERING SPECIFICATION

Type 304 stainless steel, hub drain.



PREFIXES	DESCRIPTION	A INLET (LARGER) SIZE	LIST PRICE
Z1870*	Type 304 (CF8) Stainless Steel*	3", 4"	734.00
		6", 8"	860.00
ZM1870	Type 316 (CF8M) Stainless Steel	3", 4"	882.00
		6", 8"	1,026.00
OUTLETS (SPECIFY PIPE SIZE IN INCHES AND TYPE OF OUTLET)			
OUTLET TYPE	PIPE SIZE/OUTLET TYPE		ADD
BW	Butt-Weld (Schedule 40)	3BW, 4BW, 6BW, 8BW	N/C
NH	No-Hub (Schedule 10)	3NH, 4NH, 6NH, 8NH	N/C

Nominal Pipe A' - Inlet / B - Outlet	Dimensions in inches [mm]				Approximate Weight lb [kg]
	H1	H2	H3	H4	
Butt-Weld / No-Hub					
3/2 [38]	3-1/2 [89]	2-1/2 [64]	3 [76]	9 [229]	5 [2]
4/2 [51]	4 [102]	3 [76]	3 [76]	10 [254]	6 [2]
6/2 [76]	5-1/2 [140]	3-1/2 [89]	4 [102]	13 [330]	8 [4]
4/3 [34]	4 [102]	3 [76]	3 [76]	10 [254]	8 [4]
6/3 [51]	5-1/2 [140]	3-1/2 [89]	3 [76]	12 [305]	8 [4]
6/4 [38]	5-1/2 [140]	3 [76]	3-1/2 [89]	12 [305]	15 [7]
8/4 [51]	5-1/2 [140]	3 [76]	3-1/2 [89]	12 [305]	24 [11]
8/6 [34]	6 [152]	4 [102]	4 [102]	14 [356]	26 [12]

*Regularly furnished unless otherwise specified.

Items designated as Best Sellers are most specified and are generally in stock for shipment.

🕒 This symbol denotes a product that is engineered to reduce installation and rework time.

For additional product information, please visit www.zurn.ca

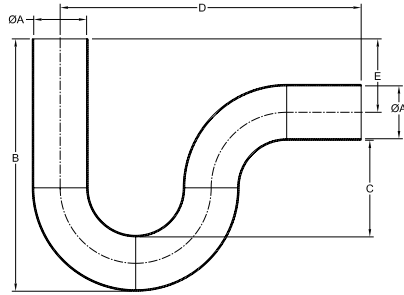
Z1890 P-TRAP

[SDcPT] **NEW**



ENGINEERING SPECIFICATION

Type 304 stainless steel, P Trap.



PREFIXES	DESCRIPTION	A PIPE SIZE	LIST PRICE
Z1890*	Type 304 (CF8) Stainless Steel*	2"	899.00
		3", 4"	1,323.00
		6"	3,672.00
ZM1890	Type 316 (CF8M) Stainless Steel	2"	1,076.00
		3", 4"	1,588.00
		6"	4,410.00

OUTLETS (SPECIFY PIPE SIZE IN INCHES AND TYPE OF OUTLET)			
OUTLET TYPE		PIPE SIZE/OUTLET TYPE	ADD
BW	Butt-Weld (Schedule 40)	2BW, 3BW, 4BW, 6BW	N/C
NH	No-Hub (Schedule 10)	2NH, 3NH, 4NH, 6NH	N/C

Product Designation	Dimensions in inches [mm]					Approximate Weight lb [kg]
	A Pipe Size	B	C	D	E	
Butt-Weld						
2BW	2 [51]	11-13/64 [285]	2-47/64 [69]	10 [254]	5-1/64 [127]	5 [2]
3BW	3 [76]	17-1/4 [438]	3-1/16 [78]	16 [406]	9-1/64 [229]	11 [5]
4BW	4 [102]	18-1/4 [464]	3-37/64 [91]	17-1/2 [445]	7-63/64 [203]	16 [7]
6BW	6 [152]	27-5/16 [694]	3-11/32 [85]	23-51/64 [604]	14-7/64 [358]	33 [15]
No-Hub						
2NH	2 [51]	11-13/64 [285]	2-45/64 [69]	10 [254]	5 [127]	5 [2]
3NH	3 [76]	17-1/4 [438]	3-1/8 [79]	16-1/16 [408]	8-15/16 [227]	11 [5]
4NH	4 [102]	18-1/4 [464]	3-39/64 [92]	17-39/64 [447]	7-59/64 [201]	16 [7]
6NH	6 [152]	27-5/16 [694]	3-33/64 [89]	23-45/64 [602]	13-15/16 [354]	33 [15]

Z1899 12" ROUND INDUSTRIAL DOUBLE CONTAINMENT SANITARY DRAIN

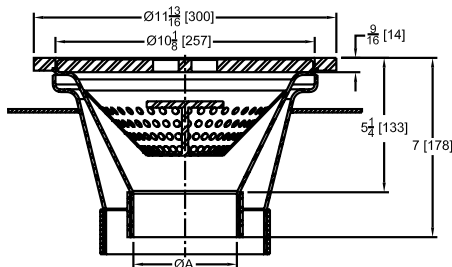
[SDcSN-DCR42120] **NEW**



ENGINEERING SPECIFICATION

12" [305] Diameter x 7" [178] Deep, 12 gauge, type 304 stainless steel, round industrial sanitary double containment floor drain features loose set heavy duty slotted grate (1/2" Thick Plate) with finger holes, 9/16" top frame, perforated removable sediment bucket with lift handle, and bead blasted finish. Double containment sanitary drains are designed to capture condensation caused by extreme temperatures on second floor applications.

Dimensions in inches [mm]		Approximate Weight lb [kg]
A Pipe Size		
Butt-Weld / No-Hub		
3, 4, 6 [76-102-152]		28 [13]



PREFIXES	DESCRIPTION	A PIPE SIZE	LIST PRICE
Z1899*	Type 304 (CF8) Stainless Steel*	3", 4"	6,445.00
		6"	6,445.00
ZM1899	Type 316 (CF8M) Stainless Steel	3", 4"	7,730.00
		6"	7,730.00

OUTLETS (SPECIFY PIPE SIZE IN INCHES AND TYPE OF OUTLET)			
OUTLET TYPE		PIPE SIZE/OUTLET TYPE	ADD
BW	Butt-Weld	3BW, 4BW, 6BW	N/C
NH	No-Hub	3NH, 4NH, 6NH	N/C

GRATE OPTIONS			ADD
-H3	Heavy Duty Perimeter Gap - 1/2" Plate		375.00
-H5	Heavy Duty Slotted Grate - 1/2" Plate with Finger Holes		375.00
SUFFIXES			ADD
-K	Anchor Flange		N/C
-KC	Anchor Flange with Seepage Holes and Clamp Collar		1,323.00
-MG	EZLock Magnetic Lock System		492.00
-P	1/2" Trap Primer Connection		128.00
-Y	Sediment Basket		370.00

ZS890 6" WIDE SANI-FLO® TRENCH DRAIN SYSTEM



Standard Length: 80"
Standard Grate Included: FS or PS

ENGINEERING SPECIFICATION

Channels shall be 80" long, 6" wide, and have a 4" wide throat. Modular channel sections shall be made of 16-gauge 304 stainless steel and shall be provided with a neoprene gasket for flanged connections. Channel shall be provided either flat (neutral) or with a 1.04% pre-slope. Channels shall be available with inverts ranging from 3.5" to 16.00". Choices of class A thru E grates shall be available with H-20 and/or FAA load ratings and/or ADA compliance with mechanical lockdown devices. End caps and catch basins shall be available to complement the channels and grates. End outlets, bottom outlets, and side outlets shall be available in 2", 3", 4", and 6" diameters. Trench drain shall be Flo-Thru model ZS890.

NOTES

Type 316 Stainless Steel trench is available upon request. Please call customer care for pricing and lead time.

PREFIX	DESCRIPTION	CHANNEL NUMBER	LIST PRICE/FOOT
ZS*	80" #16-Gauge Type 304 Stainless Steel Trench with Fabricated Stainless Steel Grate with Four Stainless Steel Lockdowns	89001 thru 89015	

ADD/EACH

Endcaps/Outlet

GRATE OPTIONS	ADD/FOOT
---------------	----------

-GG	Fiberglass Grate - Class A
-HPS	Heel-Proof Stainless Steel Slotted Grate - Class A
-PVSS	Stainless Steel Paver Slot - Class B
-PVSSD	Stainless Steel Heel Proof Double Paver Slot - Class B
-RFSC	Reinforced Stainless Steel Slotted Grate - Class C
-RPSC	Reinforced Stainless Steel Perforated Grate - Class C
-RPSRC	Reinforced Stainless Steel Perforated Reverse Punch Anti-Slip Grate - Class C
-SBG	Stainless Steel Bar Grate - Class E
-SCD	Stainless Steel Circular Decorative Grate - Class B
-SDD	Stainless Steel Diagonal Decorative Grate - Class B
-SOG	Stainless Steel Decorative Grate - Class B
-SWG-A	Stainless Steel Wire Grate - Class A
-SWG-B	Stainless Steel Wire Grate - Class B

MADE IN THE U.S.A. (HIGHLIGHTED IN GRAY)

GRATE OPTIONS	ADD/FOOT
---------------	----------

-FS	Fabricated Stainless Steel Slotted Grate - Class A	*
-PS	Stainless Steel Perforated Grate - Class A	
-PSR	Stainless Steel Perforated Reverse Punch Anti-Slip Grate - Class A	

MISCELLANEOUS OPTIONS	ADD/FOOT
-----------------------	----------

-K	Anchor Flange
-KC	Clamp Collar and Pan with Weep Holes
-VG	Viton Gasket
-VP	Vandal-Proof Center Lockdown

ADD/EACH

-DB	Bottom Drop-In Bucket
-----	-----------------------

SERVICE CHARGES	ADD/EACH
-----------------	----------

Fabrication	- 45°; 90°; Tee Fabs
	- Cross Fabs

PLEASE REFER TO TRENCH CATALOG FOR PRICING.

Trench Number	Shallow Invert		Deep Invert		Flow Rate			Approx. Wt.	
	In.	mm	In.	mm	LPS	GPM	CFS	lb	Kg
89001	3.5	89	4.33	110.1	8	129	0.287	20	9
89002	4.33	110.1	5.17	131.2	10	163	0.363	21	9.5
89003	5.17	131.2	5.38	6.00	13	201	0.448	23	10.4
89004	6.00	152.4	6.83	173.6	15	239	0.532	24	10.9
89005	6.83	173.6	7.67	194.7	17	276	0.615	26	11.8
89006	7.67	194.7	8.5	215.9	20	313	0.697	27	12.2
89007	8.5	215.9	9.33	237.1	22	351	0.782	29	13.1
89008	9.33	237.1	10.17	258.2	25	389	0.867	30	13.6
89009	10.17	258.2	11.00	279.4	27	428	0.954	32	14.5
89010	11.00	279.4	11.83	300.6	29	465	1.036	34	15.4
89011	11.83	300.6	12.67	321.7	32	504	1.123	35	15.9
89012	12.67	321.7	13.50	342.9	34	543	1.21	37	16.8
89013	13.50	342.9	14.33	364.1	37	581	1.294	39	17.7
89014	14.33	364.1	15.17	385.2	39	620	1.381	40	18.1
89015	15.17	385.2	16.00	406.4	42	659	1.468	42	19

*Regularly furnished unless otherwise specified.

†Indicates grate will be shipped unpainted. For an additional charge, Zurn will paint the grates. Please contact your customer service representative for pricing.

For additional product information, please visit www.zurn.ca.

Z891 STAINLESS STEEL SLOTTED DRAINAGE SYSTEM



Standard Length: 5'

ENGINEERING SPECIFICATION

Channels shall be 5' long, 3/4" wide slot and have a 2-1/4" wide throat. Modular channel sections shall be made of 16-gauge type 304 stainless steel. Channel shall be provided with no slope (neutral) or with a 1.04% built-in slope. Channels shall be available with inverts ranging from 4" to 10.25". End caps and catch basins shall be available to complement the channels. Trench drain shall be Flo-Thru model Z891.

NOTES

Type 316 Stainless Steel trench is available upon request. Please call customer care for pricing and lead time.

PREFIX	DESCRIPTION	LIST PRICE/ FOOT
Z*	5' #16 Gauge Type 304 Modular Stainless Steel Slotted Trench Drain with Bolted Flange Connection	
MADE IN THE U.S.A. (HIGHLIGHTED IN GRAY)		
OUTLET ADAPTERS		ADD/EACH
-E1	Closed End Cap	
-E2	2" No-Hub End Outlet	
-U2	2" No-Hub Bottom Outlet	
MISCELLANEOUS OPTIONS		ADD/FOOT
-HD	Class E Heavy Duty Reinforcement	
-K	Waterproofing Flange	
-KC	Pan and Clamping Collar with Weep Holes	

PLEASE REFER TO TRENCH CATALOG FOR PRICING.

Trench Number	Shallow Invert		Deep Invert		Flow Rate			Approx. Wt.	
	In.	mm	In.	mm	GPM	CFS	LPS	lb	Kg
89101	4	102	4.63	118	51	3	194	15	6.8
89102	4.63	118	5.25	133	67	4	255	16	7.3
89103	5.25	133	5.88	149	84	5	316	17	7.7
89104	5.88	149	6.50	165	100	6	378	18	8.2
89105	6.50	165	7.13	181	117	7	441	19	8.6
89106	7.13	181	7.75	197	135	8	504	20	9.1
89107	7.75	197	8.38	213	150	9	568	21	9.6
89108	8.38	213	9.00	229	167	11	632	22	10
89109	9.00	229	9.63	245	184	12	696	23	10.5
89110	9.63	245	10.25	260	201	13	760	24	10.9

Z893 STAINLESS STEEL FLOOR RECEPTOR WITH BAR GRATE



ENGINEERING SPECIFICATION

Channels are made of #14 ga. fabricated Stainless Steel conforming to ASTM A-240 (Type 304). Channels weigh less than 4.15 lb per linear foot, have a smooth, 1.5" radiused self cleaning bottom with a Manning's coefficient of .009. Channels have feet for patty pour or leveling studs standard to secure trench in its final location with 4" No-Hub bottom outlet. All welds must be performed by a certified welder per ASTM standard AWS D1.6. Channels to be produced in the U.S.A.

NOTES

Standard size units are shown, special sizes are available upon request.

SIZE W" X L"	GRATE WIDTH	SBG QTY.	LIST PRICE	-SBG LIST ADD	-RPSC/RFSC LIST ADD
12x 24	11.25	1			*
12x 30	11.25	2			*
12x 36	11.25	2			*
12x 48	11.25	2			*
12x 60	11.25	3			*
12x 72	11.25	3			*
12x 84	11.25	4			*
12x 96	11.25	4			*
12x 108	11.25	5			*
12x 120	11.25	5			*
18x 24	17.25	1			*
18x 30	17.25	2			*
18x 36	17.25	2			*
18x 48	17.25	2			*
18x 60	17.25	3			*
18x 72	17.25	3			*
18x 84	17.25	4			*
18x 96	17.25	4			*
18x 108	17.25	5			*
18x 120	17.25	5			*
24x 24	23.25	2			*
24x 30	23.25	2			*
24x 36	23.25	2			*
24x 48	23.25	3			*
24x 60	23.25	3			*
24x 72	23.25	4			*
24x 84	23.25	5			*
24x 96	23.25	5			*
24x 108	23.25	6			*
24x 120	23.25	6			*

MISCELLANEOUS OPTIONS

ADD/EACH

- DB Bottom Drop-In Bucket
- KC Clamp Collar and Pan with Weep Holes
- VP Vandal-Proof Center Lockdown

PLEASE REFER TO TRENCH CATALOG FOR PRICING.

Size	No. of Grates	Dimensions in Inches [mm]					
		A		B		C	
		In.	mm	In.	mm	In.	mm
12	1	14.3	363	24	610	4	102
	2						
	3						
	5						
18	1	20.3	516	24	610	4	102
	2						
	3						
	5						
24	1	26.6	676	24	610	4	102
	2						
	3						
	5						

*Regularly furnished unless otherwise specified.

Items designated as Best Sellers are most specified and are generally in stock for shipment.

🕒 This symbol denotes a product that is engineered to reduce installation and rework time.

For additional product information, please visit www.zurn.ca

Z894 24" WIDE TRENCH DRAIN SYSTEM



Standard length: 60"
Standard grate: FS

ENGINEERING SPECIFICATION

24" Wide Pre-Sloped Trench Drainage System with 1/8" per foot slope. #12 Gage Type 304 Stainless Steel drain channel with bolted flanged connection complete with rubber neoprene flange gasket.

PREFIX	DESCRIPTION	CHANNEL NUMBER	LIST PRICE/FOOT
Z*	#12 Gage Type 304 Stainless Steel Trench	Section 1-6 (6"-9.75" invert)	
Z*	#12 Gage Type 304 Stainless Steel Trench	Section 7-12 (9.75"-13.5")	
ENDCAP/OUTLET OPTIONS			ADD/EACH
Endcaps/Outlet			ADD/FOOT
GRATE OPTIONS - NO STANDARD GRATE			ADD/FOOT
-RFS	Reinforced Stainless Steel Slotted Grate - Class A		
-RPS	Reinforced Stainless Steel Perforated Grate - Class A		
-SBG	Stainless Steel Bar Grate - Class A		
-GG	Fiberglass Grate - Class A		
MISCELLANEOUS OPTIONS			ADD/EACH
-DB	Bottom Drop-In Bucket		
-K	Anchor Flange		
-KC	Clamp Collar and Pan with Weep Holes		
-GL	Grate Lockdown Assembly		
-VP	Vandal-Proof Center Lockdown		
SERVICE CHARGES			ADD/EACH
Fabrication - 45°; 90°; Tee Fabs			
- Cross Fabs			

PLEASE REFER TO TRENCH CATALOG FOR PRICING.

Trench Number	Overall Depth				Max. Flow Rate			Approx. Wt. (Less Grates)	
	A Min.		B Max.		CFS	GPM	LPS	lb	Kg
	In.	mm	In.	mm					
89401	6.00	152	6.63	168	3	1299	82	70	32
89402	6.63	168	7.25	184	4	1636	103	72	33
89402N	7.25	184	7.25	184	-	-	-	73	33
89403	7.25	184	7.88	200	4	1991	126	74	34
89404	7.88	200	8.50	216	5	2362	149	76	34
89404N	8.50	216	8.50	216	-	-	-	77	35
89405	8.50	216	9.13	232	6	2746	173	78	35
89406	9.13	232	9.75	248	7	3142	198	80	36
89406N	9.75	248	9.75	248	-	-	-	81	37
89407	9.75	248	10.38	264	8	3548	224	82	37
89408	10.38	264	11.00	279	9	3963	250	84	38
89408N	11.00	279	11.00	279	-	-	-	85	39
89409	11.00	279	11.63	295	10	4387	277	86	39
89410	11.63	295	12.25	311	11	4817	304	88	40
89410N	12.25	311	12.25	311	-	-	-	89	40
89411	12.25	311	12.88	327	12	5253	331	90	41
89412	12.88	327	13.50	343	13	5696	359	92	42
89412N	13.50	343	13.50	343	-	-	-	93	42
89413	13.50	343	14.13	359	14	6143	388	94	43
89414	14.13	359	14.75	375	15	6595	416	96	44
89414N	14.75	375	14.75	375	-	-	-	97	44
89415	14.75	375	15.38	391	16	7051	445	98	44
89416	15.38	391	16.00	406	17	7512	474	100	45
89416N	16.00	406	16.00	406	-	-	-	101	46
89417	16.00	406	16.63	422	18	7975	503	102	46
89418	16.63	422	17.25	438	19	8442	533	104	47
89418N	17.25	438	17.25	438	-	-	-	105	48
89419	17.25	438	17.88	454	20	8912	562	106	48
89420	17.88	454	18.50	470	21	9385	592	108	49

ZS895 12" WIDE SANI-FLO® TRENCH DRAIN SYSTEM



Standard Length: 96"
Standard Grate Included: FS or PS

ENGINEERING SPECIFICATION

Channels shall be 96" long, 12" wide, and have a 9-1/8" wide throat. Modular channel sections shall be made of 12-gauge 304 stainless steel. Channel shall be provided with no slope (neutral) or with a 1.04% built-in slope. Channels shall be available with inverts ranging from 6.00" to 18.50". Choices of class A thru C grates shall be available with H-20 and/or FAA load ratings and/or ADA compliance with mechanical lockdown devices. End caps and catch basins shall be available to complement the channels and grates. End outlets, bottom outlets, and side outlets shall be available in 4", 6", and 8" diameters. Trench drain shall be Flo-Thru model ZS895.

NOTES

Type 316 Stainless Steel trench is available upon request. Please call customer care for pricing and lead time.

MADE IN THE U.S.A. (HIGHLIGHTED IN GRAY)			
PREFIX	DESCRIPTION	CHANNEL NUMBER	LIST PRICE/FOOT
ZS*	96" #12-Gauge Type 304 Stainless Steel Trench with Stamped Stainless Steel Grate with Four Stainless Steel Lockdowns	89501 thru 89515	
OPTIONS			ADD/EACH
Endcaps/Outlet			
GRATE OPTIONS			ADD/FOOT
FS	Fabricated Stainless Steel Slotted Grate - Class A		*
GG	Fiberglass Grate (Not Made in U.S.A. Configurable) - Class A		
PS	Stainless Steel Perforated Grate - Class A		
PSR	Stainless Steel Perforated Reverse Punch Grate - Class A		
RFSC	Reinforced Stainless Steel Slotted Grate - Class C		
RPSC	Reinforced Stainless Steel Perforated Grate - Class C		
RPSRC	Reinforced Stainless Steel Perforated Reversed Punch Anti-Slip Grate - Class C		
SBG-E	Stainless Steel Bar Grate - Class E		
SBG-L	Stainless Steel Bar Grate - Class C		
SSCD	Reinforced Stainless Steel Solid Cover - Class B		
SWG	Stainless Steel Wire Grate		
MISCELLANEOUS OPTIONS			ADD/FOOT
K	Anchor Flange		
KC	Clamp Collar and Pan with Weep Holes		
VG	Viton Gasket		
VP	Vandal-Proof Center Lockdown		
			ADD/EACH
DB	Bottom Drop-In Bucket		
SERVICE CHARGES			ADD/EACH
Fabrication			
- 45°; 90°; Tee Fabs			
- Cross Fabs			

PLEASE REFER TO TRENCH CATALOG FOR PRICING.

Trench Number	Shallow Invert		Deep Invert		Flow Rate			Approx. Wt.	
	In.	mm	In.	mm	CFS	GPM	LPS	lb	Kg
89501	6.00	152.4	7.00	177.8	1.286	577	36	70	31.7
89502	7.00	177.8	8.00	203.2	2.324	1043	66	73	33.1
89503	8.00	203.2	9.00	228.6	2.705	1214	77	76	34.5
89504	9.00	228.6	10.00	254	3.095	1389	88	80	36.3
89505	10.00	254	11.00	279.4	3.487	1565	99	83	37.6
89506	11.00	279.4	12.00	304.8	3.886	1744	110	86	39
89507	12.00	304.8	13.00	330.2	4.289	1925	121	90	40.8
89508	13.00	330.2	14.00	355.6	4.692	2106	126	93	42.2
89509	14.00	355.6	15.00	381	5.102	2290	133	96	43.5
89510	15.00	381	16.00	406.4	5.512	2474	156	99	44.9
89511	16.00	406.4	17.00	431.8	5.924	2659	168	103	46.7
89512	17.00	431.8	18.00	457.2	6.341	2846	180	106	48

*Regularly furnished unless otherwise specified.

‡Indicates grate will be shipped unpainted. For an additional charge, Zurn will paint the grates. Please contact your customer service representative for pricing.

For additional product information, please visit www.zurn.ca

Z898 18" WIDE TRENCH DRAIN SYSTEM



Standard length: 60"
Standard grate: FS

ENGINEERING SPECIFICATION

18" Wide Pre-Sloped Trench Drainage System with 1/8" per foot slope. #12 Gage Type 304 Stainless Steel drain channel with bolted flanged connection complete with rubber neoprene flange gasket and stamped stainless steel grate.

PREFIX	DESCRIPTION	CHANNEL NUMBER	LIST PRICE/ FOOT
Z*	#12 Gage Type 304 Stainless Steel Trench	89801 through 89806	
Z*	#12 Gage Type 304 Stainless Steel Trench	89807 through 89820	
ENDCAP/OUTLET OPTIONS			ADD/EACH
Endcaps/Outlet			
GRATE OPTIONS - NO STANDARD GRATE			ADD/FOOT
-RFS	Reinforced Stainless Steel Slotted Grate - Class A		
-RPS	Reinforced Stainless Steel Perforated Grate - Class A		
-SBG	Stainless Steel Bar Grate - Class A		
-GG	Fiberglass Grate - Class A		
MISCELLANEOUS OPTIONS			ADD/EACH
-DB	Bottom Drop-In Bucket		
-K	Anchor Flange		
-KC	Clamp Collar and Pan with Weep Holes		
-VP	Vandal-Proof Center Lockdown		
SERVICE CHARGES			ADD/EACH
Fabrication	- 45°; 90°; Tee Fabs		
	- Cross Fabs		

PLEASE REFER TO TRENCH CATALOG FOR PRICING.

Trench Number	Overall Depth				Max. Flow Rate			Approx. Wt. (Less Grates)	
	A Min.		B Max.		CFS	GPM	LPS	lb	Kg
	In.	mm	In.	mm					
89801	6.00	152	6.63	168	1.43	640	2423	60	27
89802	6.63	168	7.25	184	1.79	805	3047	62	28
89802N	7.25	184	7.25	184	-	-	-	64	29
89803	7.25	184	7.88	200	2.19	982	3717	65	29
89804	7.88	200	8.50	216	2.60	1167	4418	67	30
89804N	8.50	216	8.50	216	-	-	-	68	31
89805	8.50	216	9.13	232	3.03	1361	5152	69	31
89806	9.13	232	9.75	248	3.48	1562	5913	72	33
89806N	9.75	248	9.75	248	-	-	-	73	33
89807	9.75	248	10.38	264	3.94	1769	6696	74	34
89808	10.38	264	11.00	279	4.42	1982	7503	76	34
89808N	11.00	279	11.00	279	-	-	-	77	35
89809	11.00	279	11.63	295	4.90	2200	8328	78	35
89810	11.63	295	12.25	311	5.40	2423	9172	81	37
89810N	12.25	311	12.25	311	-	-	-	82	37
89811	12.25	311	12.88	327	5.91	2651	10035	83	38
89812	12.88	327	13.50	343	6.42	2882	10910	85	39
89812N	13.50	343	13.50	343	-	-	-	86	39
89813	13.50	343	14.13	359	6.95	3117	11799	88	40
89814	14.13	359	14.75	375	7.48	3356	12704	90	41
89814N	14.75	375	14.75	375	-	-	-	91	41
89815	14.75	375	15.38	391	8.02	3597	13616	92	42
89816	15.38	391	16.00	406	8.56	3841	14544	95	43
89816N	16.00	406	16.00	406	-	-	-	96	44
89817	16.00	406	16.63	422	9.11	4089	15479	97	44
89818	16.63	422	17.25	438	9.67	4338	16421	99	45
89818N	17.25	438	17.25	438	-	-	-	100	45
89819	17.25	438	17.88	454	10.23	4590	17375	102	46
89820	17.88	454	18.50	470	10.79	4844	18337	104	47

Z897 STAINLESS STEEL CATCH BASIN



Standard Grate Included: FS or PS

ENGINEERING SPECIFICATION

Catch Basins shall be 6" wide x 20" long x 20" deep, 12" wide x 24" long x 24" deep, or 24" wide x 24" long x 24" deep and shall be made of #16- or #12-gauge 304 stainless steel. Choices of class A thru E grates shall be available with H-20, FAA, and/or ADA compliance. Outlets in 2", 3", 4", 6", and 8" diameters shall be available. Catch Basin shall be Flo-Thru model Z897.

NOTES

Type 316 Stainless Steel trench is available upon request. Please contact customer care for pricing and lead time.

Please contact customer care for mechanical lockdown availability and pricing.

PREFIX	DESCRIPTION	NOMINAL SIZE	APPROX. WT. LBS. (LESS GRATES)	STANDARD PRICE
Z*	Stainless Steel Catch Basin	6x20	49	
		12x24	67	
		24x24	88	

OUTLET OPTIONS

2", 3", 4", 6"

GRATE OPTIONS

		6X20	12X24	24X24
-GG	Fiberglass Grate - Class A			
-HPS	Heel-Proof Stainless Steel Slotted Grate - Class A			
-RFSC	Reinforced Stainless Steel Slotted Grate - Class C			
-RPSC	Reinforced Stainless Steel Perforated ADA Grate - Class C			
-RPSRC	Reinforced Stainless Steel Perforated Reverse Punch Anti-Slip ADA Grate - Class C			
-SBG-E	Stainless Steel Bar Grate - Class E			
-SCD	Stainless Steel Circular Decorative Grate - Class B			
-SDD	Stainless Steel Diagonal Decorative Grate - Class B			
-SOD	Stainless Steel Decorative Grate - Class B			
-SWG-A	Stainless Steel Wire Grate - Class A			
-SWG-B	Stainless Steel Wire Grate - Class B			

MADE IN THE U.S.A. (HIGHLIGHTED IN GRAY)

GRATE OPTIONS		6X20	12X24	24X24
-FS	Fabricated Stainless Steel Slotted Grate - Class A	*	*	*
-PS	Perforated Stainless Steel Grate - Class A	*	*	*
-SBG-L	Stainless Steel Bar Grate - Class C			

MISCELLANEOUS OPTIONS

		ADD/EACH
-K	Anchor Flange	
-KC	Clamp Collar and Pan	
-VP	Vandal-Proof Center Lockdown	
		ADD/EACH
-YS	Stainless Steel Sediment Bucket	

PLEASE REFER TO TRENCH CATALOG FOR PRICING.

*Regularly furnished unless otherwise specified.

Items designated as Best Sellers are most specified and are generally in stock for shipment.

🕒 This symbol denotes a product that is engineered to reduce installation and rework time.

For additional product information, please visit www.zurn.ca

NOTES

INTRO

SS DRAINS

TECH INFO

TECHNICAL INFORMATION

TECHNICAL INFO – STAINLESS STEEL DRAINS BUTT-WELD ENGINEERING DATA	22
TECHNICAL INFO – OUTLET PIPE CONNECTIONS	23
TECHNICAL INFO – TOP LOADING CLASSIFICATION	24
TECHNICAL INFO – EZ STOP LOCK	25
TECHNICAL INFO – EZ STOP LOCK	26
TECHNICAL INFO – EZ STOP LOCK	27
TECHNICAL INFO – BUTTERFLY LOCKING VALVE	27

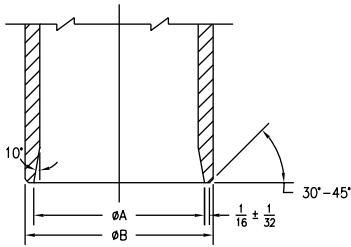
TECHNICAL INFO – STAINLESS STEEL DRAINS BUTT-WELD ENGINEERING DATA

Butt-Welding Casting Outlets

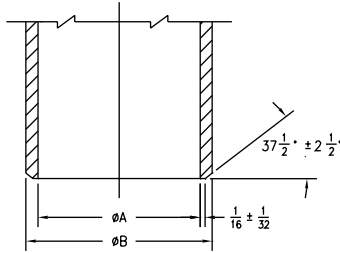
The outlet sections of all cast carbon steel or cast stainless steel products as specified from this brochure shall conform to ANSI-B36.10M-85 and ANSI-B36.19M-85 standards for pipe wall thicknesses for Schedule 10, Schedule 40, or Schedule 80 as specified.

Butt-welding ends of the above mentioned sections shall conform to ANSI B16.25-86 standard for plain welding bevel of $37\frac{1}{2}^\circ + 2\frac{1}{2}^\circ$ and root face (land) of $\frac{1}{16}'' + \frac{1}{32}''$.

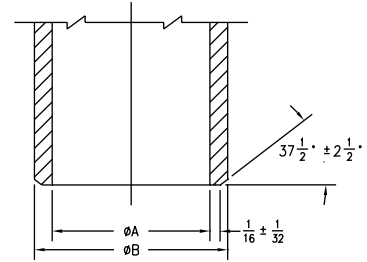
All outlet requirements must be specified and made known to the manufacturer prior to quotation of prices of products applicable to the project.



Schedule 10S Pipe



Schedule 40 Pipe



Schedule 80 Pipe

SCHEDULE PIPE	DIMENSIONS IN INCHES [MM]									
	PIPE SIZE									
	2 [51]		3 [76]		4 [102]		6 [152]		8 [203]	
	A	B	A	B	A	B	A	B	A	B
10S	2.157	2.375	3.260	3.500	4.260	4.500	6.375	6.625	8.329	8.625
40	2.067	2.375	3.068	3.500	4.026	4.500	6.065	6.625	7.981	8.625
80	1.939	2.375	2.900	3.500	3.826	4.500	5.761	6.625	7.625	8.625

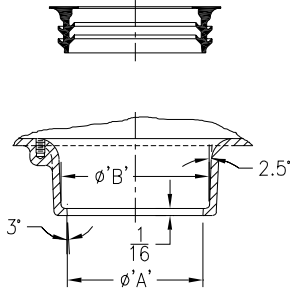
TECHNICAL INFO – OUTLET PIPE CONNECTIONS

INSIDE CAULK (IC)

Often specified where drain body is positioned on pipe, bottom of outlet is sealed with oakum and connection is then completed according to local plumbing codes.

INSIDE GASKET (IG)

The IG connections utilize an inside caulk drain body and a Zurn "Sealtrol" gasket. This connection is only recommended for basement or ground floor applications.

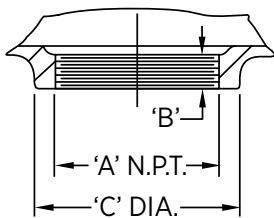


I.C. with Sealtrol Gasket (IG) Inside Caulk (IC)

OUTLETS	'A'	'B'	'C'
2. [51] I.C. Outlet	2-5/8 [67]	3-1/16 [78]	-
3. [76] I.C. Outlet	3-3/4 [95]	4-3/16 [106]	-
4. [102] I.C. Outlet	4-3/4 [121]	5-3/16 [132]	-
5. [127] I.C. Outlet	5-3/4 [146]	6-3/16 [157]	-
6. [152] I.C. Outlet	6-3/4 [172]	7-3/16 [183]	-
8. [203] I.C. Outlet	8-7/8 [226]	9-1/2 [241]	-

IRON PIPE (IP)

Zurn Iron Pipe Threaded connection is an old industry standard. The female (NPT) threaded outlet is often specified on industrial and institutional applications.

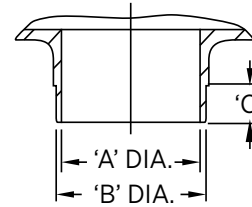


I.P. (Threaded/N.P.T.)

OUTLETS	'A'	'B'	'C'
2. [51] N.P.T. Outlet	2 [51]	9/16 [14]	3-1/4 [83]
3. [76] N.P.T. Outlet	3 [76]	3/4 [19]	4-1/2 [114]
4. [102] N.P.T. Outlet	4 [102]	15/16 [24]	5-5/8 [143]
5. [127] N.P.T. Outlet	5 [127]	15/16 [24]	6-11/16 [170]
6. [152] N.P.T. Outlet	6 [152]	1 [25]	7-3/4 [197]
8. [203] N.P.T. Outlet	8 [203]	1-1/8 [29]	9-3/8 [238]

NO-HUB (NH)

The most widely used connection. A No-Hub connection is achieved by butting No-Hub soil pipe or plastic pipe to the bottom of drain and securing it with a NH joint clamp. (Clamp furnished by others.)



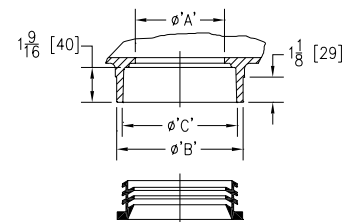
No-Hub (NH)

OUTLETS	'A'	'B'	'C'
2. [51] No-Hub Outlet	2 [51]	2-3/8 [60]	1-9/16 [40]
3. [76] No-Hub Outlet	3 [76]	3-3/8 [86]	1-9/16 [40]
4. [102] No-Hub Outlet	4 [102]	4-3/8 [111]	1-9/16 [40]
5. [127] No-Hub Outlet	4-15/16 [126]	5-5/16 [135]	2-1/16 [52]
6. [152] No-Hub Outlet	5-15/16 [151]	6-5/16 [160]	2-1/16 [52]
8. [203] No-Hub Outlet	8 [203]	8-3/8 [213]	2-1/16 [52]
10. [254] No-Hub Outlet	10 [254]	10-9/16 [268]	2-1/16 [52]
12. [305] No-Hub Outlet	12 [305]	12-9/16 [319]	2-1/16 [52]

NEO-LOC (NL)

Zurn Neo-Loc is a unique labor-saving compression gasketed connection designed to simply push on the stub end of the pipe. The Neo-Loc drain body and gasket can be utilized with plastic, steel, No-Hub and service weight soil pipe. A unique pipe stop cast in each Zurn Neo-Loc drain body ensures a proper fit.

Note: Not recommended for roof drain applications due to the watertight integrity of the Neo-Loc connection to the leader pipe being dependent upon adequate leader pipe support and accurate perpendicularity of leader pipe into Neo-Loc gasket.



"Neo-Loc" (NL)

OUTLETS	'A'	'B'	'C'
2. [51] Neo-Loc Outlet	2 [51]	3-3/8 [86]	3 [76]
3. [76] Neo-Loc Outlet	3 [76]	4-3/8 [111]	4 [102]
4. [102] Neo-Loc Outlet	4 [102]	5-1/2 [140]	5-1/8 [130]
2. [51] NL w/-TC	2 [51]	3-3/8 [86]	3 [76]
3. [76] NL w/-TC	3 [76]	4-3/8 [111]	4 [102]
4. [102] NL w/-TC	4 [102]	5-1/2 [140]	5-1/8 [130]

Special Note: Zurn "Neo-Loc" and "Sealtrol" gaskets are designed for use exclusively with Zurn drainage products. They are not sold separately and all warranties either expressed or implied would be forfeited if used in other than a Zurn drainage product.

TECHNICAL INFO – TOP LOADING CLASSIFICATION

Selection of a Zurn Floor Drain should be based on the load factor and the anticipated traffic. Many of Zurn's cast iron grates may be furnished in Duresist iron when increased working load requirements are necessary. Specify Duresist grate (-DG) when required or contact your Zurn representative when special applications are necessary.

Zurn drains are rated as follows: (Reference ASME Standard A112.6.3M)

6.1 – LOADING CLASSIFICATIONS

Grates and top rims shall be designed to meet the following loading classifications.

6.1.1 – LIGHT DUTY

All grates having safe live load (as calculated in para. 6.2.5) under 2000 lb. [900 kg].

6.1.2 – MEDIUM DUTY

All grates having safe live load (as calculated in para. 6.2.5) between 2000 lb. [900 kg] and 4999 lb. [2250 kg].

6.1.3 – HEAVY DUTY

All grates having safe live load (as calculated in para. 6.2.5) between 5000 lb. [2250 kg] and 7499 lb. [3375 kg].

6.1.4 – EXTRA HEAVY DUTY

All grates having safe live load (as calculated in para. 6.2.5) between 7500 lb. [3375 kg] and 10,000 lb. [4500 kg].

6.1.5 – SPECIAL DUTY

Grates having safe live load (as calculated in para. 6.2.5) over 10,000 lb. [4500 kg] shall be considered special and treated accordingly.

6.2 – TEST PROCEDURE FOR GRATE LOADING

Live Load – Requirements listed in 6.1 through 6.1.5 shall be determined as follows:

*Safe live load rating of grates is for general classification purposes only. For the actual safe live load of any given grate, contact your Zurn representative.

Note: ZB and ZN 400 Series drain head assemblies are rated for light-duty applications only.

6.2.1 – LOAD CLASSIFICATIONS

Load classifications as stated in 6.1 shall be determined by laboratory tests.

6.2.2 – PLATEN SIZE

A 3.5 in. [89 mm] diameter platen shall be applied to the center of the grate specimen.

6.2.3 – LOADING

Loading shall be applied slowly so that point of failure can be observed.

6.2.4 – POINT OF FAILURE

(a) Brittle Materials (Cast Iron). The load (in pounds or kilograms) at which the first fracture on any part of the specimen appears.

(b) Ductile Material. The load which the permanent set (at the point of loading) is greater than 2% of the longest transverse dimension of the specimen.

6.2.5 – GRATE CLASSIFICATION

The maximum safe live load is computed by dividing the load at failure by two.

TECHNICAL INFO – EZ STOP LOCK



StainlessDrains.com has developed a unique locking mechanism to secure drain covers. The EZ+STOP+LOCK cannot be removed with pliers, wrenches, screwdrivers, crowbars, or anything else. Only the matching key will remove the lock. This allows only those with an assigned key to easily remove the locking floor drain cover.

This is the solution to reduce unexpected costs and downtime due to unauthorized access and damage to your vital drainage system while allowing fast access for routine maintenance tasks.

OVERVIEW



EZ – The Locking mechanism is very EZ to operate. Just touch the key to the lock and the lock releases!

STOP – Basket removal and dumping are major issues for drains in most production environments. STOP employees from throwing away baskets and dumping debris directly into your trunk lines.

LOCK – Drains can be custom configured to meet your needs! We can make any drain component Lock. Only the key holders will have access.

Does the EZ+STOP+LOCK really work? Yes, it does. It's been proven.

QUICK CASE STUDY

A major player in food processing was experiencing the common industry problems of discarded sediment baskets, debris dumping directly down the drain, and grate breakage by the maintenance staff. The replacement costs of the drain components, additional maintenance to the trunk lines, and the subsequent production downtime continued to increase. The company realized that continuing to install outdated and “cheap” cast iron drains was actually becoming very expensive. Plus, cast iron drains in a sanitary production environment can be a ticking time bomb for cross-contamination of multiple production areas by airborne pathogens within the plant.[i] The time had come to find a long-term, cost-effective solution to their drain dilemma.

They called StainlessDrains.com. We made a visit to one of their plants and listened to their issues. As a team, StainlessDrains.com and the plant management staff sat around a whiteboard in the plant's conference room and designed a drain solution using the EZ+STOP+LOCK. Below is the final result of our combined efforts. This is the actual drain solution that was installed into 14 areas with high debris flow.



Figure 1: SDcFS-R44180-EZ (Drain Body) The 18” Round Floor Sink has a solid 304 SS 14 ga body and is 12” deep. The drain (all components) weighs in at a strong 75 lbs. This heavyweight is ready to perform over the long haul!



Figure 2: SDcFS-R44180-EZ (Strainer) The EZ+STOP+LOCK Strainer is 304 SS 14 ga plate with ¼” perforated holes. The strainer plate is thick enough to prevent attempts to pry it open at the edge. Dual locks secure the strainer in place. Unless you have the key, the strainer cannot be removed. Good Luck trying!



Figure 3: SDcFS-R44180-EZ (Sediment Basket) The 8” deep Sediment Basket is 304 SS with 1/8” perforated holes and a grab handle. It can be freely removed to empty debris or perform other sanitation tasks to the drain body. But, the locked strainer below the basket prevents any dumping directly into trunk lines. Plus, the sediment basket has been designed with 1-1/2” clearance above the locked strainer to allow for good water flow.



Figure 4: SDcFS-R44180-EZ (Grate) Our signature grate uses ½” inch radial slots in a solid ¼” plate of 304 SS. It will not break no matter how many times it gets “dropped!” This grate will allow for heavy traffic flow. The EZ+STOP+LOCK can be used on grates too!



Figure 5: SDcFS-R44180-EZ (All Components) Since the first 14 drains where installed, our customer has ordered dozens more for additional areas across multiple facilities. Just like many times before, StainlessDrains.com partnered with our customer and engineered value into an effective solution. Problem solved. The EZ+STOP+LOCK Works!

Note: Outlets are custom built to your specs!
Note: We have ½” ¾” and 1” grates available.

The EZ+STOP+LOCK can be integrated with any drain solution you need!

EXAMPLE

Below is our signature Sanitary Drain fitted with the EZ+STOP+LOCK for the sediment basket. Most of our existing products can be fabricated with the EZ+STOP+LOCK system.



Figure 1: SDcSN-R44120-EZ (Drain Body) Our 12” Round Sanitary Design Drain is 304 SS with no seams or welds in the body. This helps eliminate areas that can harbor pathogens.



Figure 2: SDcSN-R44120-EZ (Sediment Basket) The 14 ga 304 SS sediment basket with 3/8” perforated holes is locked into place. Only the key can remove the lock. The key is enclosed inside a black sure grip handle that is built to last in a production environment.



Figure 3: SDcSN-R44120-EZ (Sediment Basket) The sediment basket isn't going anywhere unless an authorized “key holder” unlocks the basket for removal.



Figure 4: SDcSN-R44120-EZ (Grate) The grate is 304 SS ¼” or ½” plate with our signature slotted design and finger holes.

Seamless. Solid. Sanitary. Secure.



Figure 5: SDcSN-R44120-EZ (All Components) This is the perfect solution for areas with heavy flow, but light to medium debris. StainlessDrains.com offers the EZ+STOP+LOCK as a tamper-proof method of protecting your drainage system and your bottom line.

Note: Outlets are custom built to your specs!
Note: We have ½” ¾” and 1” grates available.

Replace your old and outdated cast iron, concrete or PVC drains with a durable StainlessDrains.com drain solution fitted with the EZ+STOP+LOCK. The long-term payback will make you glad you did!

StainlessDrains.com will partner with you to design a custom solution to any drainage issue in your production facility.

TECHNICAL INFO - EZ STOP LOCK

PROTECT YOUR PLUMBING SYSTEM WITH THE EZ-STOP-LOCK

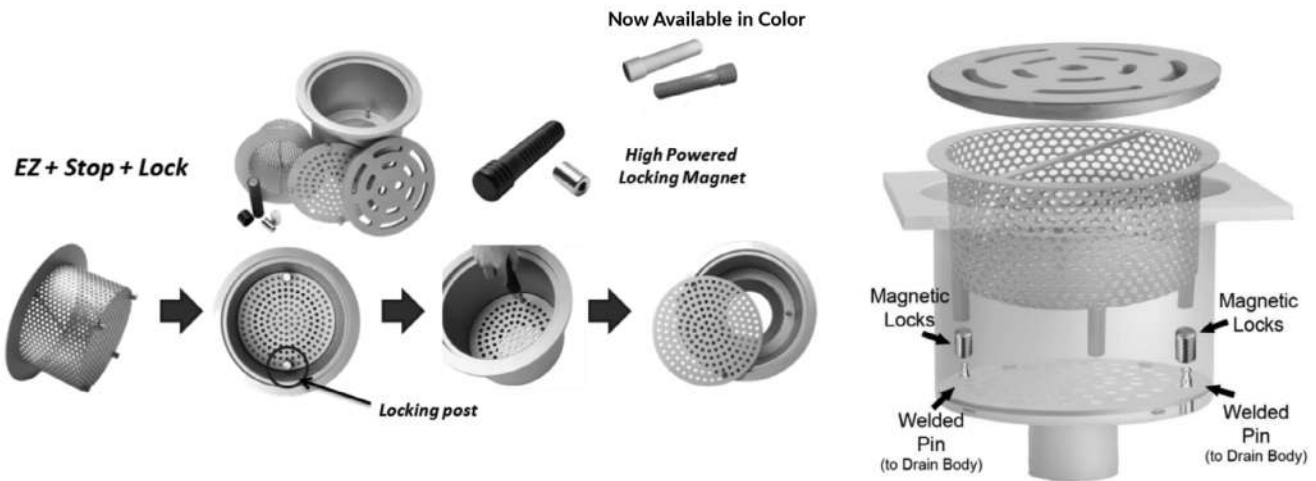
The amount of time, money and work that goes into the design and construction of a building is why it is so important as an owner, to capitalize on solutions that will help protect your investment and minimize unnecessary maintenance costs.

A SOLUTION THAT WORKS

Our team has carefully crafted an add on feature to secure your drain components with the use of a magnetic lock. This eliminates the possibility of employee negligence or tampering with your drainage system. Often times, debris or other items meant for the garbage

are improperly disposed of in the drain by removing the grate and sediment basket. Once these items are shoved down the drain, they enter your trunk lines and create all kinds of issues. Clogged or damaged trunk lines can lead to unnecessary maintenance costs and facility downtime.

The EZ-Stop-Lock from StainlessDrains.com features a magnetic locking device and corresponding key that works to securely latch the grate and drain accessories, only to be removed for scheduled maintenance and cleaning. The drain is protected from being opened by wrenches, crowbars, pliers or any other item, other than the assigned key. No longer will you have to worry about unauthorized access to your vital drainage system.



The EZ-Stop-Lock is simple to operate. The authorized user will place the designated key over the lock and then it will be released for regularly scheduled maintenance tasks. This will stop employees from throwing away sediment baskets or dumping trash, damaging the trunk lines. This is a huge problem for many production facilities. Now they can lock any drain components within their facility and proactively reduce the incidents of tampering or damage to their plumbing system.

TECHNICAL INFO - EZ STOP LOCK

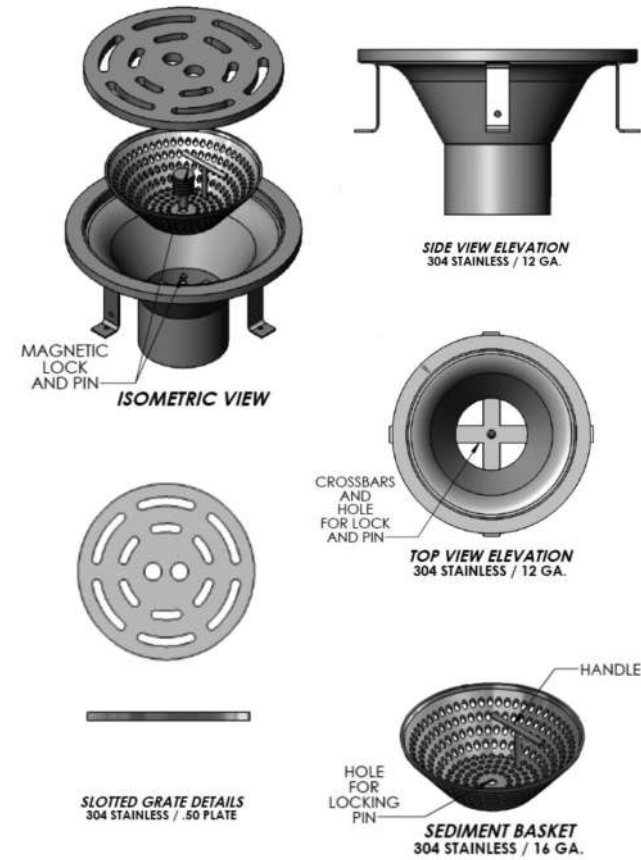
A SOLUTION FOR EXISTING DRAINS

Prevent damage and protect your plumbing system with the EZ-Stop-Lock and Stainless Steel Inserts from StainlessDrains.com.

The EZ-Stop-Lock, with its use of a magnetic lock, is a tested solution developed to prevent unauthorized access to trunk lines, protecting your drainage system from negligence and improper disposal of

trash and debris. This solution can be added to any of our existing area drains or floor drains.

The EZ-Stop-Lock can be fitted to any StainlessDrains.com's drain and our Stainless Steel Inserts can be fitted to existing floor and area drains.

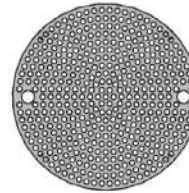


S05 - 12.0 X 10.0 ID X 7.0 ROUND SANITARY AREA DRAIN

STAINLESS STEEL DRAIN INSERTS

Stainless steel inserts, made from 304 or 316 stainless, can be added to any existing floor or area drain to add an additional layer of protection for your plumbing system. Much like the EZ-Stop-Lock, the inserts are secured with the use of a magnetic lock. Available in round and square perforated screens.

S05 - 9.0 X .135 PERFORATED SCREEN INSERT



TOP VIEW ELEVATION
304 STAINLESS / 10 GA.

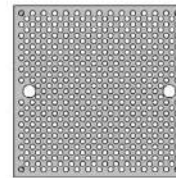


SIDE VIEW ELEVATION
304 STAINLESS / 10 GA.



(2) LOCK & PIN
304 STAINLESS

S05 - 8.25 X 8.25 X .135 PERFORATED SCREEN INSERT



TOP VIEW ELEVATION
304 STAINLESS / 10 GA.



SIDE VIEW ELEVATION
304 STAINLESS / 10 GA.



(2) LOCK & PIN
304 STAINLESS

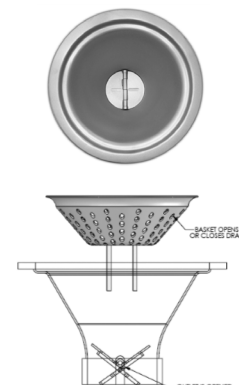
TECHNICAL INFO - BUTTERFLY LOCKING VALVE

StainlessDrains.com offers a patent pending Butterfly Locking Valve (BLV) to protect your pipes and trunk lines against debris. This stainless steel basket strainer system discourages improper waste disposal by simply closing off the drain when the sediment basket is removed by maintenance crews. This drain option can be a valuable tool by helping to prevent clogged drain systems, as well as reducing the potential for unexpected maintenance costs.

ENGINEERING SPECIFICATIONS

STANDARD OPTIONS

304 or 316 Stainless Steel
Schedule 40 Outlet
Outlet Sizes: 4" only



GENERAL TERMS AND CONDITIONS

PRICE AND TERMS OF PAYMENT

Terms are net, payable 30 days from date of invoice. Zurn Credit must be identified of potential pricing errors within 30 days of invoice date. Shortage claims must be reported within 10 working days of receiving product to your local Zurn Rep or Zurn Customer Care. The Buyer shall pay all sales, consumers, or other applicable taxes. A 1-1/2% monthly (18% annual) service charge will be added to the outstanding balance of all past due invoices.

Minimum invoice \$250.00. Zurn Water, LLC ("Zurn") reserves the right to apply a minimum order charge in order to meet the \$250.00 minimum invoice requirement. All orders are subject to credit approval by the Zurn Credit Department prior to the acceptance of an order. Orders may be refused, delivery may be withheld, or shipment stopped in transit without any liability on Zurn's part at Zurn's sole discretion based upon Buyer's credit worthiness as determined by Zurn.

FREIGHT

All sales are F.O.B. seller's location. Zurn will allow full freight allowance when any of the following conditions are met: 1) Plumbing Fixtures only orders totaling \$10,000 or more; 2) Zurn One Systems orders of \$7,500 or more; 3) Any combination of Linear Drainage and/or Stainless Drains orders of \$5,000 or more; 4) Any combination of Specification Drainage, Finish Plumbing, and/or Zurn Wilkins of \$5,000 or more; 5) Commercial Drainage only orders of \$3,500 or more; 6) PEX orders of \$3,000 or more. This full freight allowance applies when the shipment is within the continental United States and has a single destination of a Buyer's standard address or job location. Routing of shipment shall be determined at the sole discretion of Zurn. Shipping dates are estimates and time of delivery shall not be of the essence of this sale contract. Under no circumstances will the Seller have any responsibility on account of any delays in manufacture, transportation, or otherwise. Terms of Export Shipment on application.

NOTE: Shipments in excess of 90" long or 3,000 lbs may be subject to additional charges, and shall be defined as an oversized and/or overweight product and Zurn's standard FFA terms may not apply. Please contact our Customer Service Department for guidance on potential additional shipping charges. This new policy supersedes any existing agreements.

These charges and restrictions apply in addition to Zurn standard terms and conditions for sale unless otherwise agreed upon by the parties.

LIMITED WARRANTY

Zurn goods sold hereunder are warranted to be free from defects in material and factory workmanship for the period of time from the date of purchase: AquaVantage® Flush Valves, AquaFlush® Flush Valves, Commercial Fixtures, Faucets, Showers, and Tubular Brass: three years; Chemical Drainage, Linear Drainage, Commercial Drainage, Specification Drainage, Zurn Wilkins, and Flush Valve, Faucets, and Tubular Brass decorative finishes: one year; PHIX® Cartridge: ten years; FOG-ceptor®: thirty years. Where permitted by law, **THE IMPLIED WARRANTY OF MERCHANTABILITY IS LIMITED TO THE ABOVE IDENTIFIED PERIOD OF TIME AND SHALL BE LIMITED SOLELY TO THE REPLACEMENT OF THE DEFECTIVE GOODS.** A damaged/broken test cock or ball valve is not considered defective. Please contact Zurn Customer Care for assistance.

Zurn will replace goods at no cost that prove defective provided Zurn is notified in writing of such defect and the goods are returned prepaid at the specified Zurn location with evidence that they have been properly maintained and used in accordance with instructions. **ZURN SHALL NOT BE RESPONSIBLE FOR ANY LABOR CHARGES OR ANY LOSS, INJURY, OR DAMAGES WHATSOEVER, INCLUDING, BUT NOT LIMITED TO, INCIDENTAL OR CONSEQUENTIAL DAMAGES.** The sole and exclusive remedy shall be limited to the replacement of the defective goods. Before installation and use, the purchaser shall determine the suitability of the product for his intended use and the purchaser assumes all risk and liability whatever in the connection therewith. All weights stated in Zurn catalogs and lists are approximate and are not guaranteed.

RETURNED GOODS

Standard cataloged material may be returned only with the written permission of Zurn. Returned goods are subject to a 25% restocking charge of total saleable material returned, plus the cost of reconditioning, if necessary, to make material sellable. Transportation charges are the responsibility of the Buyer. Credit allowance will be in the form of merchandise credit only – not cash credit. The value of the return must total at least \$100.00 to qualify for credit allowance. No credit will be allowed for parts unless originally ordered and invoiced as parts. No credit will be allowed for discontinued or made-to-order items. Items that have been specially made are not subject to return or cancellation except by special negotiation. Material must be returned within one year of invoice date for credit to be issued for Commercial Fixtures, Flush Valve Products, Specification Drainage, Tubular Brass, Zurn Wilkins, Chemical Drainage, Linear Drainage, and Commercial Drainage. No credit is allowed for Linear Drainage products that have been cut and Specification Drainage product with auxiliary tapings. Flush Valve material over one year old will be subject to a 50% handling charge. Flush Valve material over five years old will not be accepted. Commercial Drainage and Specification Drainage galvanized material will be credited at value of Dura-Coated cast iron, and chrome-plated at value of bronze. Zurn Wilkins damaged/broken test cocks or ball valves are not considered defective.

ILLUSTRATIONS OF TYPICAL INSTALLATIONS

The typical installations for various products found in each product section are intended to illustrate the products and potential options for the use of these products. Under no circumstances are they to be construed as recommended installation procedures. Consult local codes and project specifications for proper installation instructions.

SHORTAGE/DAMAGE CLAIMS

Notification of material shortages or incorrect filling of orders must be made to Zurn within 10 days of receipt. No claims over three months old will be honored. Buyer agrees to make all complaints for damage in transit or "short count" directly to the carrier; before the contents are unloaded have the carrier agent's acknowledgment of such damage noted on the bill of lading and to present to the carrier its agent's acknowledgment of such damaged material with formal claim covering said damage.

GENERAL

Zurn reserves the right to make changes in design or equipment of any item or product without incurring any obligation on previously sold items, and to discontinue items at any time, without notice. Possession of this Catalog or other sales literature is not to be construed as an offer to sell. All orders are subject to acceptance by Zurn. Catalog printed in U.S.A.

Zurn flush valves are designed to comply with Army Corp of Engineers and Naval guide specifications, Military Specification MIL.V.29193 and Federal Specification WWP541.

Zurn flush valves comply with the following standards: ASME A112.18.1/CSA B125.1, A112.19.5, A112.19.2, A112.19.6, ASSE 1037 and 101 are listed by the following agencies: Canadian Standards, IAPMO/UPC/CUPC, and CSA 125.3. Zurn flush valves are manufactured from dezincification resistant alloys. For additional compliances, contact Zurn Water, LLC, Finish Plumbing Operation, or 1-800-997-3876.

Zurn is not responsible for typographical errors. The contents of this guide are subject to revision without notice.

© 2024 Zurn Water, LLC Items in this guide may be covered by U.S. and foreign Patents and Patents Pending. Registered Trademarks.

