

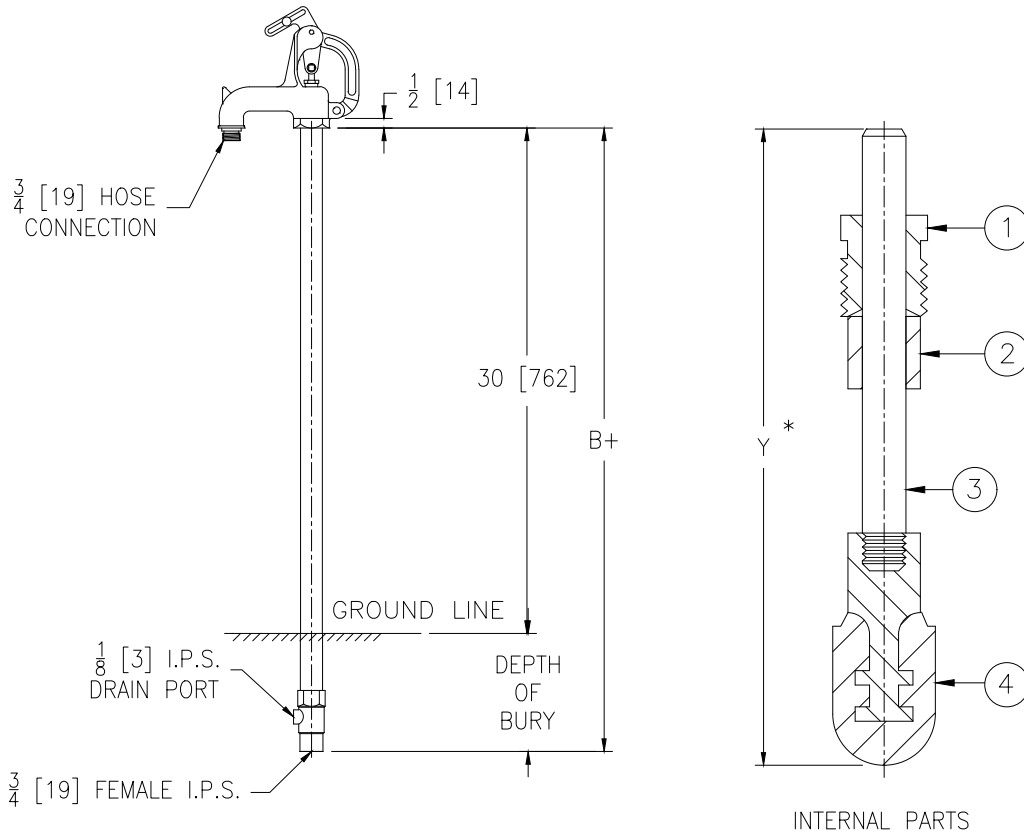


Z1397
FLO-TROL YARD HYDRANT
 Exposed Head, Non-Freeze

SPECIFICATION SHEET

TAG _____

Design and Dimensional Data (inches and [mm]) are Subject to Manufacturing Tolerances and Change Without Notice



Depth of Bury Feet [mm]	B+ Dim. Feet [mm]	Approx. Wt. lbs [kg]
2 [610]	4 1/2 [1372]	15 [7]
3 [914]	5 1/2 [1676]	19 [9]
4 [1219]	6 1/2 [1981]	23 [10]
5 [1524]	7 1/2 [2286]	27 [12]
6 [1829]	8 1/2 [2591]	31 [14]
8 [2438]	10 1/2 [3200]	39 [18]

ENGINEERING SPECIFICATION: ZURN Z1397

Exposed, non-freeze yard hydrant, with Dura-Coated cast iron head and lift handle with lock option. Slotted links provide adjustable, locking flow control. Complete with bronze interior parts and galvanized steel casing with bronze valve housing and 1/8 [3] IP drain port in housing.

Note: 'B' dim. based on outlet connection 30 [762] above ground.
 ** Non-Freeze feature will not function when (-VB suffix) vacuum breaker is specified.

OPTIONS (Check/specify appropriate options)

SUFFIXES

- ___-AC Aluminum Casing Guard
- ___-RK Hydrant Parts Repair Kit
- ___-RK Hydrant Parts Repair Kit

PARTS LIST

Item	Name	Quan.
7	Operating Coupling	1
8	Packing	1
10	Operating Rod	1
13	Plunger	1

* WHEN ORDERING REPLACEMENT PARTS SPECIFY Y DIM.

- ⚠ **WARNING:** Cancer and Reproductive Harm - www.P65Warnings.ca.gov
- ⚠ **ADVERTENCIA:** Cáncer y daño reproductivo - www.P65Warnings.ca.gov
- ⚠ **AVERTISSEMENT:** Cancer et effets néfastes sur la reproduction - www.P65Warnings.ca.gov

Zurn Industries, LLC | Specification Drainage Operation
 1801 Pittsburgh Avenue, Erie, PA 16502, Ph. 855.663.9876

In Canada | Zurn Industries Limited
 7900 Goreway Drive, Unit 10, Brampton, Ontario L6T 5W6, Ph. 877.892.5216

www.zurn.com

Rev. A
 Date: 01/12/23
 C.N. No. 144900
 Patent zurn.com/patents
 Prod. | Dwg. No. Z1397