



**ARCHITECTURAL/ENGINEERING SPECIFICATION**

The ZER EZ Gear-Driven Water Closet Flush Valve is performance engineered with the dual action of the ceramic disc cartridge and motor gear-driven operation. Its polished chrome-plated finish, modern top-mount design, and quiet diaphragm operation are ideal for new and retrofit commercial restroom applications.

**PRODUCT FEATURES**

- Zurn's TPE diaphragm  
Clog-resistant by-pass  
Chloramine resistant
- Actuator  
Electronic automatic sensor  
Gear-driven ceramic cartridge
- Manual override Button
- Control stop  
Internal siphon-guard protection  
Vandal-resistant stop cap  
Sweat solder kit  
Cast wall flange with set screw
- Vacuum breaker  
High back pressure  
One piece hex coupling nut
- Chloramine-resistant internal seals
- Adjustable tailpiece
- Spud coupling and flange for top spud connection
- Operating pressure  
25 psi (running) - 80 psi (static)  
Higher running pressure may be required for some fixtures. Consult fixture manufacturer for details.

**COMPLIANCE AND CERTIFICATION**

- Complies with ASSE 1037/ASME A112.1037/CSA B125.37
- ADA Compliant



This product should be used with a WaterSense labeled counterpart with a compatible flush volume to ensure that the entire system meets the requirements for water efficiency and performance.

**WHEN INSTALLING IN A HANDICAP STALL:**

Per the ADA Guidelines (section 604.9.4) it is recommended that the grab bars be split or shifted to the wide side of the stall. If grab bars must be present over the valve, use the alternate ADA installation as shown.

**VALVE HEIGHT OPTIONS**

	DIMENSION A INCH [MM]
<b>-STANDARD</b>	11 1/2" [292]
<b>-1</b>	16" [406]



**FLOW OPTIONS**

	FLUSH VOLUME GPF	DUAL FLUSH GPF	WATERSENSE COMPLIANT
<b>-ONE</b>	1.1		☑
<b>-HET</b>	1.28		☑
<b>-WS1</b>	1.6	1.6/1.1	

**POWER OPTIONS**

- Battery (Standard)

**SUFFIX OPTIONS**

- YJ Split Ring Pipe Support
- YK Solid Ring Pipe Support
- DF Dual Flush (See Chart Above)
- Other

**ZER6000AV-TM ZURN ONE SYSTEMS**

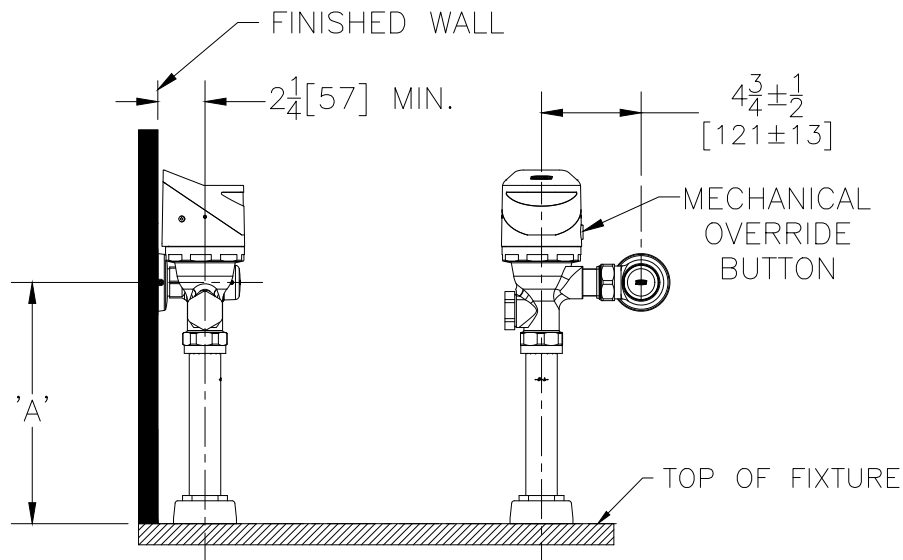
Complete fixture package with bowl, flush valve, seat and trim

ITEM NUMBER	DESCRIPTION	FLUSH VOLUME GPF
<b>Z.WC1.S.TM</b>	Z5615 Wall Hung System	1.1
<b>Z.WC2.S.TM</b>	Z5615 Wall Hung System	1.28
<b>Z.WC3.S.TM</b>	Z5655 Elongated standard height bowl system	1.1
<b>Z.WC4.S.TM</b>	Z5655 Elongated standard height bowl system	1.28
<b>Z.WC5.S.TM</b>	Z5654 Elongated 14" TAS height bowl system	1.28
<b>Z.WC3.AS.TM</b>	Z5665 ADA height bowl system	1.1
<b>Z.WC4.AS.TM</b>	Z5665 ADA height bowl system	1.28



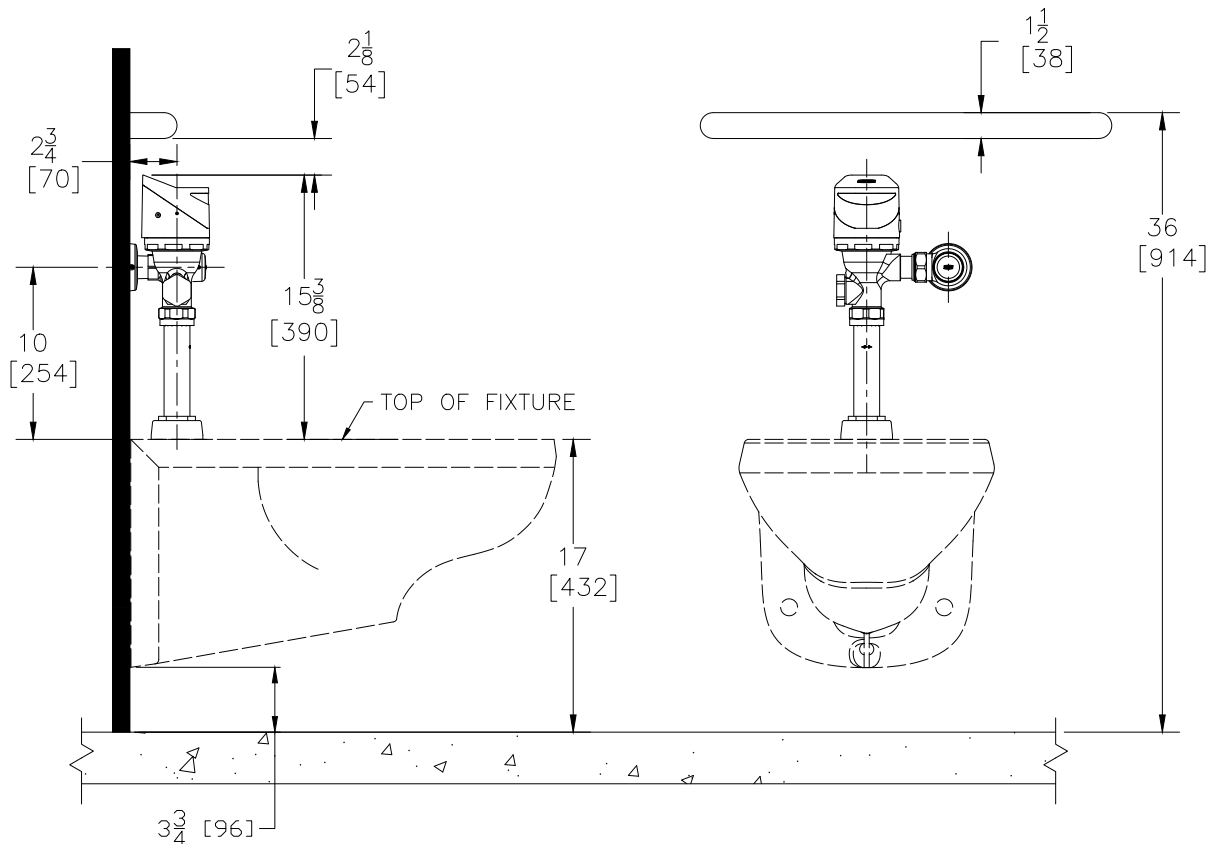
The information contained in this document is subject to change without notice. Please contact Zurn for most up to date information.

**Rough-in dimensions/Overview dimensions**



**ALTERNATE ADA INSTALLATION**

Lower water supply rough-in to 10" and mount grab bar at the 36" maximum allowed height.



NOTE: All dimensions are for reference only. Do not use for pre-plumbing.