

Zurn Wilkins Repair Kits

Repair Kits Guide



Zurn Wilkins Repair Kits



BACKFLOW PREVENTERS

MODEL 350DA.....	4
Double Check Detector Assembly – Backflow Preventers 2 ½" to 3"	
MODEL 350DA.....	6
Double Check Detector Assembly – Backflow Preventers 4" to 12"	
MODEL 350ADA.....	8
Double Check Detector Assembly – Backflow Preventers 2 ½" to 10"	
MODEL 350ASTDA.....	10
Stainless Steel Double Check Detector Assembly – Backflow Preventers 2 ½" to 10"	
MODEL 450DA.....	12
Double Check Detector Assembly – Backflow Preventers 4" to 10"	
MODEL 450STDA.....	14
Stainless Steel Double Check Detector Assembly – 4" to 10"	
MODEL 375DA.....	16
Reduced Pressure Detector Assembly – Backflow Preventers 2 ½" to 3"	
MODEL 375DA.....	18
Reduced Pressure Detector Assembly – Backflow Preventers 4" to 10"	
MODEL 375ADA.....	20
Reduced Pressure Detector Assembly – Backflow Preventers 2 ½" to 10"	
MODEL 375ASTDA.....	22
Stainless Steel Reduced Pressure Detector Assembly – Backflow Preventers 2 ½" to 10"	
MODEL 475DA and 475DAV.....	24
Reduced Pressure Detector Assembly – Backflow Preventers 4" to 10"	
MODEL 475STDA and 475STDAV.....	26
Stainless Steel Reduced Pressure Detector Assembly – Backflow Preventers 4" to 10"	
MODEL 950DA.....	28
Double Check Detector Assembly – 2 ½" to 10"	
MODEL 975DA.....	29
Reduced Pressure Detector Assembly – 2 ½" to 10"	
MODEL 350XL and 350.....	30
Double Check – Backflow Preventers ¾" and 1"	
MODEL 350XL and 350.....	32
Double Check – Backflow Preventers 1 ¼" to 2"	
MODEL 950.....	34
Double Check – Backflow Preventers 2 ½" to 10"	
MODEL 950XL.....	36
Double Check – Backflow Preventers ¾" to 2"	
MODEL 950XLT2, 950XLT, 950XLTDA.....	38
Double Check – Backflow Preventers ¾" to 2"	
MODEL 950XL3.....	40
Double Check – Backflow Preventers ¾" to 2"	
MODEL 350 and 450.....	42
Double Check – Backflow Preventers 2 ½" and 3"	
MODEL 350A and 350.....	44
Double Check – Backflow Preventers 350A (2 ½" to 10") and 350 (4" to 12")	
MODEL 350AST.....	46
Stainless Steel Double Check – Backflow Preventers 2 ½" to 10"	
MODEL 450.....	48
Double Check – Backflow Preventers 4" to 10"	

MODEL 450ST.....	50
Stainless Steel Double Check – Backflow Preventers 4" to 10"	
MODEL 375ST.....	52
Stainless Steel Reduced Pressure Principle – Backflow Preventers ½" to 1"	
MODEL 375XL and 375.....	54
Reduced Pressure Principle – Backflow Preventers ½" to 1"	
MODEL 375XL and 375.....	56
Reduced Pressure Principle – Backflow Preventers 1 ¼" to 2"	
MODEL 975.....	58
Reduced Pressure Principle – Backflow Preventers 2 ½" to 10"	
MODEL 975XLST.....	60
Stainless Steel Reduced Pressure Principle – Backflow Preventers ¾" and 1"	
MODEL 975XL2 and 975XL.....	62
Reduced Pressure Principle – Backflow Preventers ¾" to 1"	
MODEL 975XL2 and 975XL.....	64
Reduced Pressure Principle – Backflow Preventers ¾" to 2"	
MODEL 975XL3.....	66
Reduced Pressure Principle – Backflow Preventers ½" to 2"	
MODEL 375, 475 and 475V.....	68
Reduced Pressure Principle – Backflow Preventers 2 ½" and 3"	
MODEL 375A and 375.....	70
Reduced Pressure Principle – Backflow Preventers 375A (2 ½" to 10") and 375 (4" to 10")	
MODEL 375AST.....	72
Stainless Steel Reduced Pressure Principle – Backflow Preventers 2 ½" to 10"	
MODEL 475 and 475V.....	74
Reduced Pressure Principle – Backflow Preventers 4" to 10"	
MODEL 475ST.....	76
Reduced Pressure Principle – Backflow Preventers 4" to 10"	
RELIEF VALVE - 2 ½" to 10".....	78
Models 375, 375A, 375AST, 475 and 475V	

BACKFLOW DEVICES

MODEL 710.....	80
Pressure Vacuum Breakers – ¾" to 1"	
MODEL 720A.....	81
Pressure Vacuum Breakers – ½" to 1"	
MODEL 720A.....	82
Pressure Vacuum Breakers – 1 ¼" to 2"	
MODEL 420XL and 420.....	83
Pressure Vacuum Breakers – ½" and ¾"	
MODEL 420XL and 420.....	84
Pressure Vacuum Breakers – 1"	
MODEL 460XL and 460.....	85
Spill Resistant Pressure Vacuum Breaker – ¾" to 1"	
MODEL 700XL and 700.....	86
Dual Check Valve – ¼" to 1"	
MODEL 700XLFP and 700FP.....	86
High Capacity Dual Check Valve – 1" to 1 ½"	
MODEL 705.....	86
Dual Check Valve – ¾" and 1"	

MODEL 310.....	87
Single Check – 4" to 8"	
MODEL 35XL and 35.....	88
Atmospheric Vacuum Breaker – ¼" to 2"	

PRESSURE REDUCING VALVES

MODEL 20XL.....	89
Pressure Reducing Valves – ¾" to 1"	
MODEL 70XL.....	89
Pressure Reducing Valves – ¾" to 1"	
MODEL NR3XL.....	90
Pressure Reducing Valves – ½" to 2"	
MODEL 600XL.....	92
Pressure Reducing Valves – ½" to 1"	
MODEL 600XL.....	94
Pressure Reducing Valves – 1 ¼" to 2"	
Model 600XL3 and 625XL3.....	96
Pressure Reducing Valves – ¾" to 2"	
MODEL 500XL.....	98
Pressure Reducing Valves – ½" to 1"	
MODEL 500XL.....	100
Pressure Reducing Valves – 1 ¼" to 3"	
MODEL 500XL3.....	102
Pressure Reducing Valves – 1" to 4"	
MODEL 500XLFC.....	104
Pressure Reducing Valves – 2" to 3"	

AUTOMATIC CONTROL VALVES

MODEL ZW200 ACV Main Body Assembly.....	106
Automatic Control Valves – 1 ¼" to 16"	
MODEL 38-PV-PRD & 38-PV-PRDST.....	108
Pressure Reducing – ¾" Pilot Valve	
MODEL 12-PV-PRD, 34-PV-PRD, 12-PV-PRDST & 34-PV-PRDST.....	110
Automatic Control Valves – ½" and ¾" Pilot Valve	
MODEL 38-PRXL 38-PRST, 12-PRXL & 12-PRST.....	112
Automatic Control Valves – 1 ¼" to 3"	
MODEL 12-PV-ACL-2 & 12-PV-ACLST-2.....	114
Automatic Control Valves – ½" Accelerator, 2-Way Used on 1 ¼" to 10" ZW205E or ZW209E	
MODEL 12-PV-ACL-3 & 12-PV-ACLST-3.....	116
Automatic Control Valves – ½" Accelerator, 2-Way Used on 1 ¼" to 10" ZW205E or ZW209E	
MODEL PV-FNM.....	118
Automatic Control Valves – 1 ¼" to 8"	

MISCELLANEOUS PRODUCTS

MODEL YBXL.....	120
Bronze Wye Type Strainer – ½" to 3"	
MODEL SXL.....	121
Cast Bronze Wye Type Strainer – ¾" to 3"	
MODEL FSC.....	122
Ductile Iron Wye Type Strainer – 2 ½" to 10"	
MODEL WBR.....	123
In Building Riser – 4" to 10"	

MODEL 350DA



Double Check Detector Assembly – Backflow Preventers 2 1/2" to 3"

Repair Kit Components		2 1/2"	2 1/2" and 3"							3"
Item #	Item Description	212-BK	RK212-350	RK212-350DA	RK212-350CK1	RK212-350DACK2	RK212-350-COVERPLATE	BRK212-300-SEAT1-RTNR	BRK212-300-SEAT2-RTNR	3-BK
1	Bolt, Flange	•(x8)								•(x8)
2	Nut, Flange	•(x8)								•(x8)
3	Gasket, Flange	•(x2)								•(x2)
4	O-Ring, Cover Plate						•			
5	Cover Plate						•			
6	Bolt, Cover Plate						•(x2)			
7	Seat Retainer #1				•			•(x6)		
8	Seat Retainer #2					•			•(x6)	
9	O-Ring, Seat		•(x2)	•(x2)	•	•				
10	Nut, Poppet Retainer				•	•				
11	Washer, #1 Check				•					
12	Washer, #2 Check					•				
13	O-Ring, Stem		•(x2)	•(x2)	•	•				
14	Poppet Retainer				•	•				
15	Seal Ring		•(x2)	•(x2)	•	•				
16	Seat Assembly, #1 Poppet				•					
17	Seat Assembly, #2 Poppet					•				
	Bypass Rubber Repair Kit		•							

Whole Goods (Available for individual sale)

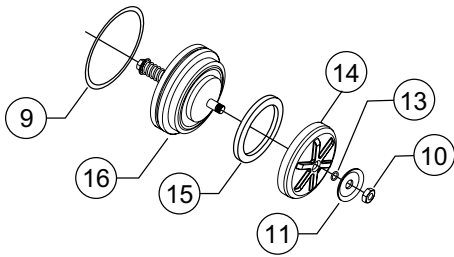
Item #	Item Description	2 1/2"	3"
18	Gate Valve, OS&Y (FxF)	212-480SY	3-480SY
	Gate Valve, OS&Y (GxF)	212-480SYGXF	3-480SYGXF
	Gate Valve, Post Indicator (FxF)	212-48PIV	3-48PIV
	Gate Valve, Post Indicator (FxG)	212-48PIVGXF	3-48PIVGXF
	Butterfly Valve (GxF)	212-49GXF	3-49GXF
19	Ball Valve, FxF		12-850XL
20	Ball Valve, MxF		12-850MXL
21	Cover Retainer Assembly		5-23
22	Bulkhead Fittings		RK12-BULKHEAD-M
23	Sensing Line Bulkhead Fittings		RK12-BULKHEAD-F
24	Cover		RK212-LBF-VLV-COVER
25	Water Meter		557-54XL
26	Bypass Valve		34-950XLD
27	Bypass Assembly		RK212-350DA-BP-LM
	Bypass Rubber Repair Kit		RK34-950XLR

Item No.	Repair Kit Description
2 1/2"	
212-BK	Flanged Kit, 2 1/2"
2 1/2" and 3"	
RK212-350	Main Valve Rubber Repair Kit, 2 1/2" and 3" 350DA
RK212-350DA	Complete Rubber Repair Kit, 2 1/2" and 3" 350DA
RK212-350CK1	#1 Check Assembly Repair Kit, 2 1/2" and 3" 350DA
RK212-350DACK2	#2 Check Assembly Repair Kit, 2 1/2" and 3" 350DA
RK212-350-COVERPLATE	Cover Plate Repair Kit, 2 1/2" and 3" 350DA
BRK212-300-SEAT1-RTNR	#1 Check Seat Retainer Bulk Kit, 2 1/2" and 3" 350DA
BRK212-300-SEAT2-RTNR	#2 Check Seat Retainer Bulk Kit, 2 1/2" and 3" 350DA
3"	
3-BK	Flanged Kit, 3"

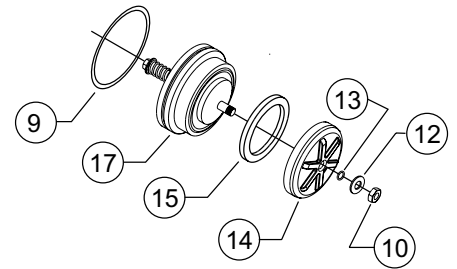
MODEL 350DA

Double Check Detector Assembly – Backflow Preventers 2 1/2" to 3"

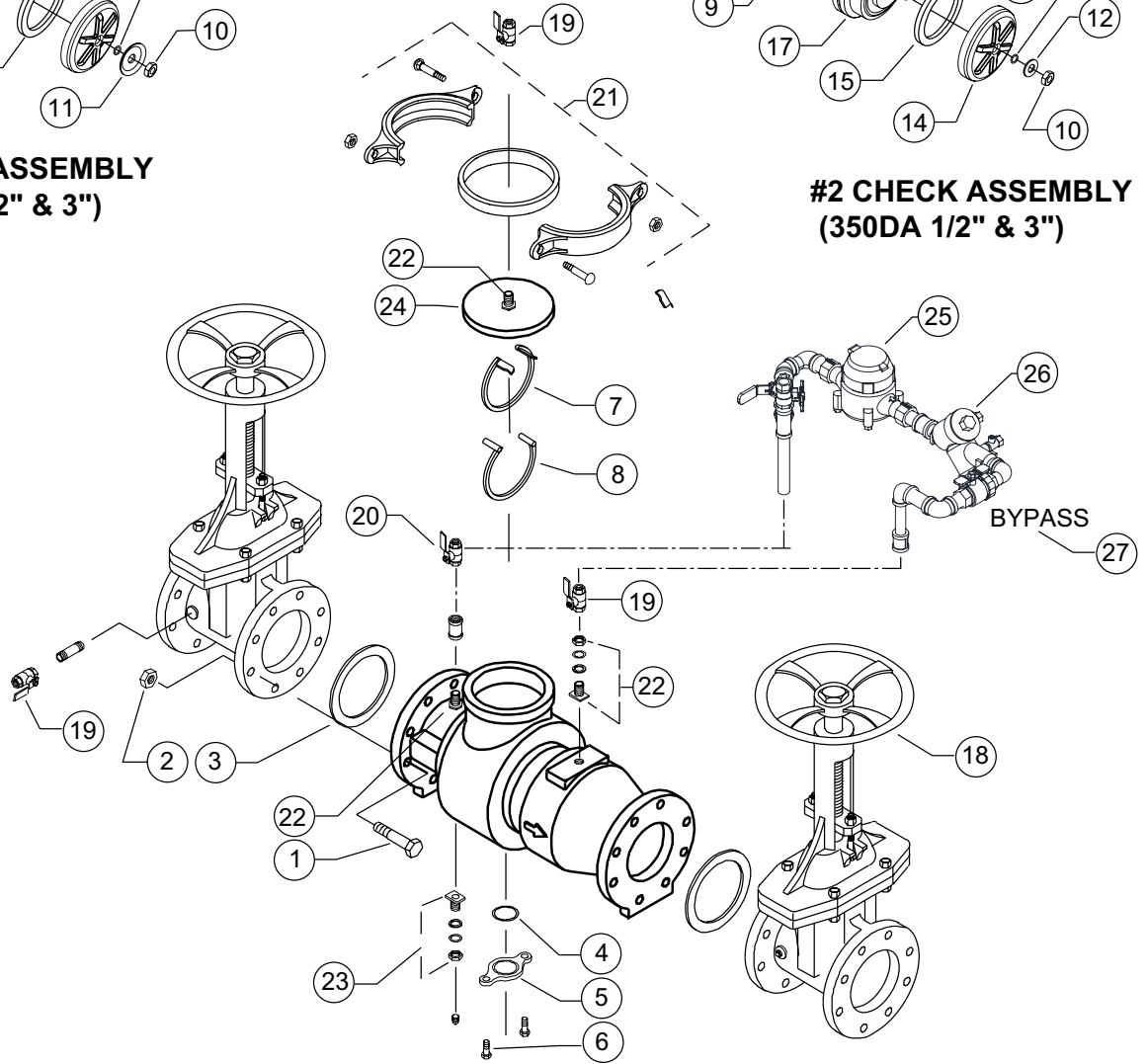
Parts Drawing



**#1 CHECK ASSEMBLY
(350DA 2 1/2" & 3")**



**#2 CHECK ASSEMBLY
(350DA 1/2" & 3")**



**MODEL 350DA
(2 1/2" - 3")**

MODEL 350DA

Double Check Detector Assembly – Backflow Preventers 4" to 12"



Repair Kit Components		4"				4" and 6"		6"				8"		8" and 10"		8" - 12"		10"		12"							
Size Range		RK4-350	RK4-350DA	RK4-350CK1	RK4-350CK2	BRK4-LBF-SEATIRTNR	BRK4-LBF-SEAT2RTNR	4-BK	RK212-350-COVERPLATE	RK6-350	RK6-350DA	RK6-350CK1	RK6-350CK2	BRK6-LBF-SEATIRTNR	BRK6-LBF-SEAT2RTNR	6-BK	8-BK	RK8-350CK1	RK8-350DACK2	RK8-350	RK8-350DA	RK8-350-COVERPLATE	10-BK	12-BK	RK12IN-350DACK1	RK12IN-350DACK2	
4"		•	•	•	•	•	•	•	•																		
6"									•	•	•	•	•	•	•												
8"																•	•	•	•	•	•	•					
10"																	•	•	•	•	•	•	•				
12"																				•	•	•	•	•	•	•	
Item #	Item Description																										
1	Bolt, Flange							•(x16)								•(x16)	•(x16)						•(x24)	•(x24)			
2	Nut, Flange							•(x16)								•(x16)	•(x16)						•(x24)	•(x24)			
3	Gasket, Flange							•(x2)								•(x2)	•(x2)						•(x2)	•(x2)			
4	O-Ring, Cover Plate								•													•					
5	Cover Plate								•													•					
6	Bolt, Cover Plate							•(x2)														•(x2)					
7	Seat Retainer #1			•		•(x6)					•		•(x6)					•(x4)	•(x7)						•(x4)	•(x7)	
8	Seat Retainer #2				•		•(x12)					•(x2)		•(x12)												•(x4)	•(x7)
9	O-Ring, Check	•(x2)	•(x2)	•	•					•(x2)	•(x2)	•	•								•(x2)	•(x2)					
10	Bolt, Poppet Retainer			•(x4)	•(x4)							•(x4)	•(x4)					•(x6)	•(x6)						•(x6)	•(x6)	
11	Handle, #1 Poppet Assembly			•								•														•(x6)	•(x6)
12	Washer, Poppet Bolt			•(x4)	•(x4)							•(x4)	•(x4)					•(x6)	•(x6)						•(x6)	•(x6)	
13	O-Ring, Poppet Bolt	•(x8)	•(x8)	•(x4)	•(x4)					•(x8)	•(x8)	•(x4)	•(x4)					•(x6)	•(x6)	•(x12)	•(x12)				•(x6)	•(x6)	
14	Poppet Retainer			•	•							•	•					•	•						•	•	
15	Seal Ring	•(x2)	•(x2)	•	•				•(x2)	•(x2)	•	•						•	•	•(x2)	•(x2)				•	•	
16	Seat Assembly, #1 Poppet			•								•						•							•	•	
17	Seat Assembly, #2 Poppet				•							•						•							•	•	
18	Washer, Seat Retainer																	•(x4)	•(x7)						•(x4)	•(x7)	
	Bypass Rubber Repair Kit		•									•									•						

Whole Goods (Available for individual sale)						
Item #	Item Description	4"	6"	8"	10"	12"
19	Gate Valve, OS&Y (FxF)	4-480SY	6-480SY	8-480SY	10-480SY	12-480SY
	Gate Valve, OS&Y (GxF)	4-480SYGXF	6-480SYGXF	8-480SYGXF	10-480SYGXF	12-480SYGXF
	Gate Valve, Post Indicator (FxF)	4-48PIV	6-48PIV	8-48PIV	10-48PIV	12-48PIV
	Gate Valve, Post Indicator (FxG)	4-48PIVGXF	6-48PIVGXF	8-48PIVGXF	10-48PIVGXF	12-48PIVGXF
	Butterfly Valve (GxF)	4-49GXF	6-49GXF	8-49GXF	10-49GXF	12-49GXF
20	Ball Valve, FxF	12-850XL				
21	Ball Valve, MxF	12-850MXL			34-850XL	
22	Cover Retainer Coupling		6-23	8-23		12-23
23	Bulkhead Fittings	RK12-BULKHEAD-M			RK34-BULKHEAD-F	
24	Sensing Line Bulkhead Fittings	RK12-BULKHEAD-F			RK34-BULKHEAD-M	
25	Cover	RK4-LBF-VALVE-COVER	RK6-LBF-VALVE-COVER		RK8-LBF-VALVE-COVER	
26	Water Meter			557-54XL		
27	Bypass Valve			34-975XLD		
28	Bypass Assembly	RK4-350DA-BP-LM	RK6-350DA-BP-LM		RK8-350DA-BP-LM	RK12IN-350DA-BP-LM
	Bypass Rubber Repair Kit			RK34-950XLR		

Item No.	Repair Kit Description
4"	
RK4-350	Standard Repair Kit, 4" 350DA
RK4-350DA	Main & Bypass Rubber Repair Kit 4" 350DA
RK4-350CK1	#1 Check Assembly Repair Kit, 4" 350DA
RK4-350CK2	#2 Check Assembly Repair Kit, 4" 350DA
BRK4-LBF-SEATIRTNR	Bulk #1 Seat Retainer Repair Kit, 4" 350DA
BRK4-LBF-SEAT2RTNR	Bulk #2 Seat Retainer Repair Kit, 4" 350DA
4-BK	Flanged Kit, 4"
4" and 6"	
RK212-350-COVERPLATE	Cover Plate Repair Kit, 2 1/2" - 6" 350DA

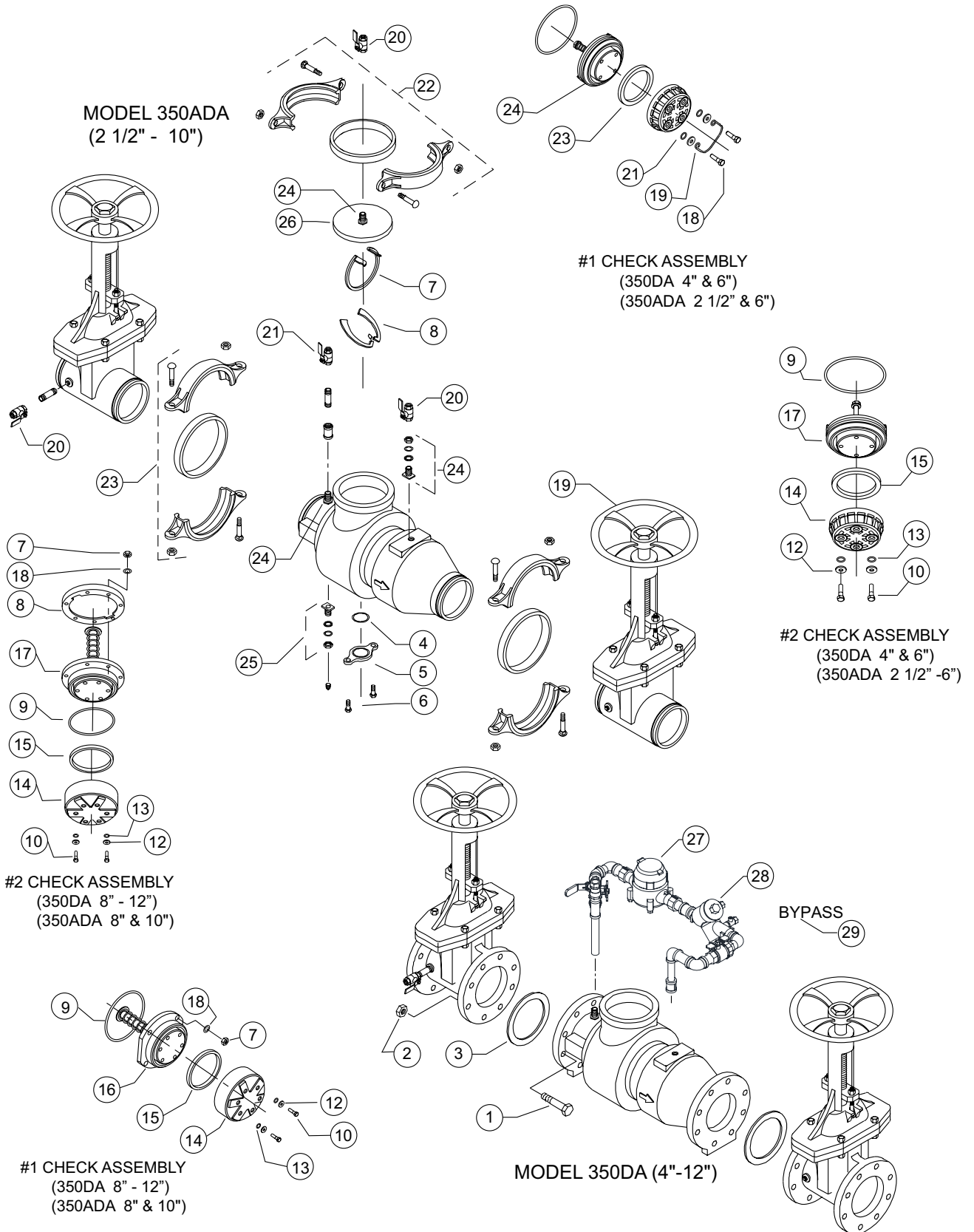
Item No.	Repair Kit Description
6"	
RK6-350	Standard Repair Kit, 6" 350DA
RK6-350DA	Main & Bypass Rubber Repair Kit 6" 350DA
RK6-350CK1	#1 Check Assembly Repair Kit, 6" 350DA
RK6-350CK2	#2 Check Assembly Repair Kit, 6" 350DA
BRK6-LBF-SEATIRTNR	Bulk #1 Seat Retainer Repair Kit, 6" 350DA
BRK6-LBF-SEAT2RTNR	Bulk #2 Seat Retainer Repair Kit, 6" 350DA
6-BK	Flanged Kit, 6"
8"	
8-BK	Flanged Kit, 8"
8" and 10"	
RK8-350CK1	#1 Check Assembly Repair Kit, 8" and 10" 350DA
RK8-350DACK2	#2 Check Assembly Repair Kit, 8" and 10" 350DA

Item No.	Repair Kit Description
8" - 12"	
RK8-350	Standard Repair Kit, 8" - 12" 350DA
RK8-350DA	Main & Bypass Rubber Repair Kit 8" - 12" 350DA
RK8-350-COVERPLATE	Cover Plate Repair Kit, 8" - 12" 350DA
10"	
10-BK	Flanged Kit, 10"
12"	
12-BK	Flanged Kit, 12"
RK12IN-350DACK1	#1 Check Assembly Repair Kit, 12" 350DA
RK12IN-350DACK2	#2 Check Assembly Repair Kit, 12" 350DA

MODEL 350DA

Double Check Detector Assembly – Backflow Preventers 4" to 12"

Parts Drawing



MODEL 350ADA

Double Check Detector Assembly – Backflow Preventers 2 1/2" to 10"



Repair Kit Components		2 1/2" - 4"						2 1/2" - 6"	6"				8"	8" and 10"						
Size Range		RK4-350	RK4-350DA	RK4-350CK1	RK4-350CK2	RK4-LBF-SEAL-RTNR	BRK4-LBF-SEATRTNR	BRK4-LBF-SEAT2RTNR	RK212-350-COVERPLATE	RK6-350	RK6-350DA	RK6-350CK1	RK6-350CK2	BRK6-LBF-SEATRTNR	BRK6-LBF-SEAT2RTNR	RK8-350DACK2	RK8-350	RK8-350DA	RK8-350CK1	RK8-350-COVERPLATE
2 1/2"		•	•	•	•	•	•	•												
3"		•	•	•	•	•	•	•												
4"		•	•	•	•	•	•	•												
6"									•	•	•	•	•	•						
8"															•	•	•	•	•	•
10"															•	•	•	•	•	•
Item #	Item Description																			
1	Bolt, Flange																			
2	Nut, Flange																			
3	Gasket, Flange																			
4	O-Ring, Cover Plate								•											•
5	Cover Plate								•											•
6	Bolt, Cover Plate								•(x2)											•(x2)
7	Seat Retainer #1			•			•(x6)				•			•(x6)		•(x7)			•(x4)	
8	Seat Retainer #2							•(x12)							•(x12)					
9	O-Ring, Check	•(x2)	•(x2)	•	•					•(x2)	•(x2)	•	•			•(x2)	•(x2)			
10	Bolt, Poppet Retainer			•(x4)	•(x4)							•(x4)	•(x4)			•(x6)				•(x6)
11	Handle, #1 Poppet Assembly			•								•								
12	Washer, Poppet Bolt			•(x4)	•(x4)							•(x4)	•(x4)			•(x6)				•(x6)
13	O-Ring, Poppet Bolt	•(x8)	•(x8)	•(x4)	•(x4)	•(x4)				•(x8)	•(x8)	•(x4)	•(x4)			•(x6)	•(x12)	•(x12)	•(x6)	
14	Poppet Retainer			•	•	•						•	•			•			•	
15	Seal Ring	•(x2)	•(x2)	•	•					•(x2)	•(x2)	•	•			•(x2)	•(x2)			
16	Seat Assembly, #1 Poppet			•								•							•	
17	Seat Assembly, #2 Poppet				•							•				•				
18	Washer, Seat Retainer															•(x7)			•(x4)	
	Bypass Rubber Repair Kit		•								•							•		

Whole Goods (Available for individual sale)

Item #	Item Description	2 1/2"	3"	4"	6"	8"	10"
19	Gate Valve, OS&Y (GxG)	212-48OSYG	3-48OSYG	4-48OSYG	6-48OSYG	8-48OSYG	10-48OSYG
	Gate Valve, OS&Y (GXF)	212-48OSYGXF	3-48OSYGXF	4-48OSYGXF	6-48OSYGXF	8-48OSYGXF	10-48OSYGXF
	Gate Valve, Post Indicator (GxG)	212-48PIVG	3-48PIVG	4-48PIVG	6-48PIVG	8-48PIVG	10-48PIVG
	Gate Valve, Post Indicator (GxF)	212-48PIVGXF	3-48PIVGXF	4-48PIVGXF	6-48PIVGXF	8-48PIVGXF	10-48PIVGXF
	Butterfly Valve (GxG)	212-49G	3-49G	4-49G	6-49G	8-49G	10-49G
	Butterfly Valve (GxF)	212-49GXF	3-49GXF	4-49GXF	6-49GXF	8-49GXF	10-49GXF
20	Ball Valve, FxF		12-850XL			34-850XL	
21	Ball Valve, MxF		12-850MXL			N/A	
22	Cover Retainer Assembly		6-23		8-23		12-23
23	Grooved Couplings	4X212-23	4X3-23	4-23	6-23	8-23	10-23
24	Bulkhead Fittings		RK12-BULKHEAD-M			RK34-BULKHEAD-F	
25	Sensing Line Bulkhead Fittings		RK12-BULKHEAD-F			RK34-BULKHEAD-M	
26	Cover		RK4-LBF-VALVE-COVER		RK6-LBF-VALVE-COVER		RK8-LBF-VALVE-COVER
27	Water Meter				557-54XL		
28	Bypass Valve				950XLD		
29	Bypass Assembly		RK4-350DA-BP-LM		RK6-350DA-BP-LM		RK8-350DA-BP-LM
	Bypass Rubber Repair Kit				RK34-950XLR		

Item No.	Repair Kit Description
RK4-350	Standard Repair Kit, 2 1/2" - 4" 350ADA
RK4-350DA	Main and Bypass Rubber Repair Kit 2 1/2" - 4" 350ADA
RK4-350CK1	#1 Check Assembly Repair Kit, 2 1/2" - 4" 350ADA
RK4-350CK2	#2 Check Assembly Repair Kit, 2 1/2" - 4" 350ADA
RK4-LBF-SEAL-RTNR	Seal Retainer Repair Kit, 2 1/2" - 4" 350ADA
BRK4-LBF-SEATRTNR	Bulk #1 Seat Retainer Repair Kit, 2 1/2" - 4" 350ADA
BRK4-LBF-SEAT2RTNR	Bulk #2 Seat Retainer Repair Kit, 2 1/2" - 4" 350ADA

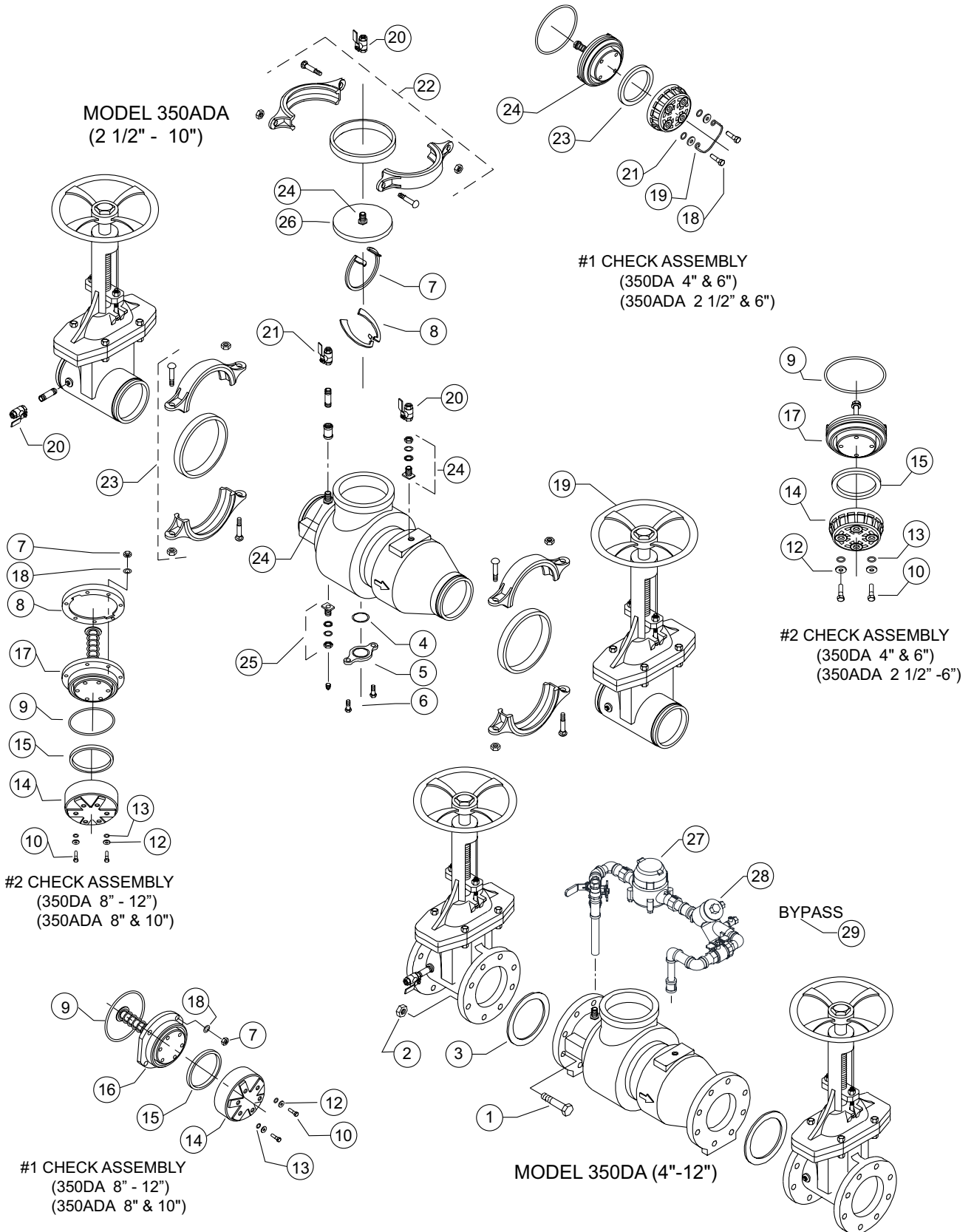
Item No.	Repair Kit Description
RK212-350-COVERPLATE	Cover Plate Repair Kit, 2 1/2" - 6" 350ADA
RK6-350	Standard Repair Kit, 6" 350ADA
RK6-350DA	Main and Bypass Rubber Repair Kit 6" 350ADA
RK6-350CK1	#1 Check Assembly Repair Kit, 6" 350ADA
RK6-350CK2	#2 Check Assembly Repair Kit, 6" 350ADA
BRK6-LBF-SEATRTNR	Bulk #1 Seat Retainer Repair Kit, 6" 350ADA
BRK6-LBF-SEAT2RTNR	Bulk #2 Seat Retainer Repair Kit, 6" 350ADA

Item No.	Repair Kit Description
RK8-350DACK2	#2 Check Assembly Repair Kit, 8" 350ADA
RK8-350	Standard Repair Kit, 8" - 10" 350ADA
RK8-350DA	Main and Bypass Rubber Repair Kit 8" - 10" 350ADA
RK8-350CK1	#1 Check Assembly Repair Kit, 8" - 10" 350ADA
RK8-350-COVERPLATE	Cover Plate Repair Kit, 8" - 10" 350ADA

MODEL 350ADA

Double Check Detector Assembly – Backflow Preventers 2 1/2" to 10"

Parts Drawing



MODEL 350ASTDA



Stainless Steel Double Check Detector Assembly – Backflow Preventers 2 1/2" to 10"

Repair Kit Components		2 1/2"		2 1/2" - 4"			2 1/2" - 6"		3" and 4"		6"				8"		8" and 10"			10"
Size Range	RK212-350ASTDACK2	RK4-350	RK4-350DA	RK4-350ASTCK1	BRK4-SSLBF-SEAT2RTNR	RK4-350AST-COVRPLATE	RK4-350ASTDACK2	RK6-350	RK6-350DA	RK6-350ASTCK1	RK6-350ASTDACK2	BRK6-SSLBF-SEAT1RTNR	BRK6-SSLBF-SEAT2RTNR	RK8-350ASTCK1	RK8-350	RK8-350DA	RK8-350ASTDACK2	RK8-350-COVRPLATE	RK10-350ASTCK1	
2 1/2"	•	•	•	•	•	•														
3"		•	•	•	•	•	•													
4"		•	•	•	•	•	•													
6"								•	•	•	•	•	•							
8"														•	•	•	•	•	•	•
10"															•	•	•	•	•	•
Item #	Item Description																			
1	O-Ring, Cover Plate					•														•
2	Cover Plate					•														•
3	Bolt, Cover Plate					•(x2)														•(x2)
4	Seat Retainer #1				•(x2)					•		•(x6)								
5	Seat Retainer #2				•(x6)					•		•(x6)								
6	O-Ring, Seat	•	•(x2)	•(x2)	•		•	•(x2)	•(x2)	•	•			•	•(x2)	•(x2)	•			•
7	Bolt, Poppet Retainer	•(x4)			•(x4)					•(x4)	•(x4)			•(x6)						•(x6)
8	Handle, #1 Poppet Assembly				•					•										
9	Washer	•(x4)			•(x4)					•(x4)	•(x4)			•(x6)						•(x6)
10	O-Ring, Retainer	•(x4)	•(x8)	•(x8)	•(x4)		•(x4)	•(x8)	•(x8)	•(x4)	•(x4)			•(x6)	•(x12)	•(x12)	•(x6)			•(x6)
11	Poppet Retainer	•			•					•	•			•						•
12	Seal Ring	•	•(x2)	•(x2)	•		•	•(x2)	•(x2)	•	•			•	•(x2)	•(x2)	•			•
13	Seat Assembly, #1 Poppet				•					•				•						•
14	Seat Assembly, #2 Poppet	•								•										•
15	Washer, Seat Retainer													•(x4)						•(x4)
16	Nut, Seat Retainer													•(x4)						•(x4)
	Bypass Rubber Repair Kit			•						•						•				

Whole Goods (Available for individual sale)

Item #	Item Description	2 1/2"	3"	4"	6"	8"	10"
17	Gate Valve, OS&Y (GxG)	212-480SYG	3-480SYG	4-480SYG	6-480SYG	8-480SYG	10-480SYG
	Gate Valve, OS&Y (GxF)	212-480SYGXF	3-480SYGXF	4-480SYGXF	6-480SYGXF	8-480SYGXF	10-480SYGXF
	Gate Valve, Post Indicator (GxG)	212-48PIVG	3-48PIVG	4-48PIVG	6-48PIVG	8-48PIVG	10-48PIVG
	Gate Valve, Post Indicator (GxF)	212-48PIVGXF	3-48PIVGXF	4-48PIVGXF	6-48PIVGXF	8-48PIVGXF	10-48PIVGXF
	Butterfly Valve (GxG)	212-49G	3-49G	4-49G	6-49G	8-49G	10-49G
	Butterfly Valve (GxF)	212-49GXF	3-49GXF	4-49GXF	6-49GXF	8-49GXF	10-49GXF
18	Ball Valve, FxF		12-850XL			34-850XL	
19	Ball Valve, MxF		12-850MXL			N/A	
20	Cover Retainer Assembly		6-23		8-23		12-23
21	Grooved Coupling	212-23	3-23	4-23	6-23	8-23	10-23
22	Cover		3509ST-3		3510ST-3		3511ST-3
23	Water Meter				557-54XL		
24	Bypass Valve				950XLD		
25	Bypass Assembly		RK212-350ASTDA-BP-LM		RK6-350ASTDA-BP-LM		RK8-350ASTDA-BP-LM
	Bypass Rubber Repair Kit				RK34-950XLR		

Item No.	Repair Kit Description
	2 1/2"
RK212-350ASTDACK2	#2 Check Assembly Repair Kit, 2 1/2" 350ASTDA
	2 1/2" - 4"
RK4-350	Standard Repair Kit, 2 1/2" - 4" 350ASTDA
RK4-350DA	Main and Bypass Rubber Repair Kit 2 1/2" - 4" 350ASTDA
RK4-350ASTCK1	#1 Check Assembly Repair Kit, 2 1/2" - 4" 350ASTDA
BRK4-SSLBF-SEAT2RTNR	Bulk #2 Seat Retainer Repair Kit, 2 1/2" - 4" 350ASTDA
	2 1/2" - 6"
RK4-350AST-COVRPLATE	Cover Plate Repair Kit, 2 1/2" - 6" 350ASTDA
	3" and 4"
RK4-350ASTDACK2	#2 Check Assembly Repair Kit, 2 1/2" - 4" 350ASTDA

Item No.	Repair Kit Description
	6"
RK6-350	Standard Repair Kit, 6" 350ASTDA
RK6-350DA	Main and Bypass Rubber Repair Kit 6" 350ASTDA
RK6-350ASTCK1	#1 Check Assembly Repair Kit, 6" 350ASTDA
RK6-350ASTDACK2	#2 Check Assembly Repair Kit, 6" 350ASTDA
BRK6-SSLBF-SEAT1RTNR	Bulk #1 Seat Retainer Repair Kit, 6" 350ASTDA
BRK6-SSLBF-SEAT2RTNR	Bulk #2 Seat Retainer Repair Kit, 6" 350ASTDA
	8"
RK8-350ASTCK1	#1 Check Assembly Repair Kit, 8" 350ASTDA
	8" and 10"
RK8-350	Standard Repair Kit, 8" and 10" 350ASTDA
RK8-350DA	Main and Bypass Rubber Repair Kit 8" and 10" 350ASTDA
RK8-350ASTDACK2	#2 Check Assembly Repair Kit, 8" and 10" 350ASTDA
RK8-350-COVRPLATE	Cover Plate Repair Kit, 8" and 10" 350ASTDA
	10"
RK10-350ASTCK1	#1 Check Assembly Repair Kit, 10" 350ASTDA

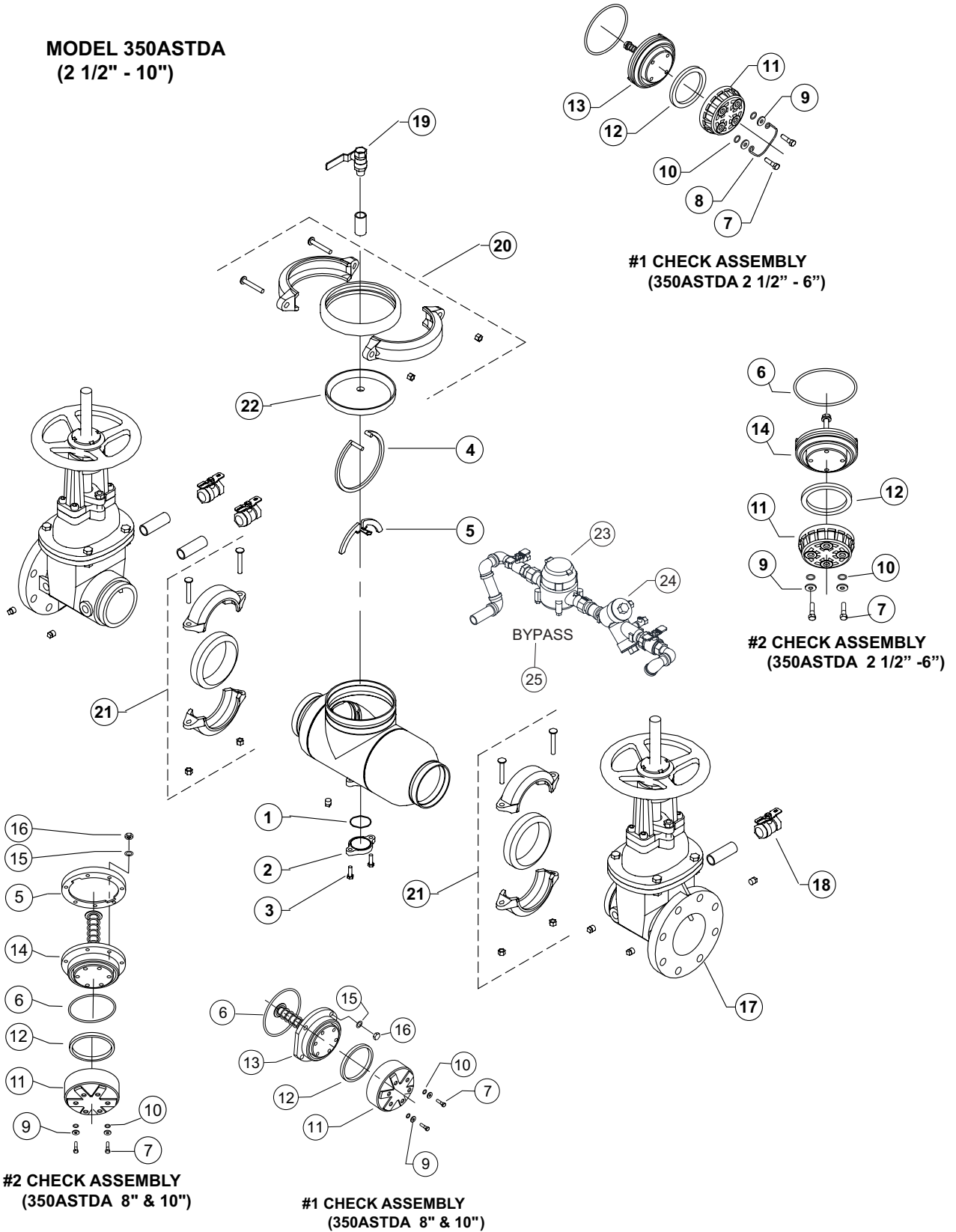
MODEL 350ASTDA

Stainless Steel Double Check Detector Assembly – Backflow Preventers 2 1/2" to 10"

Parts Drawing



MODEL 350ASTDA
(2 1/2" - 10")



MODEL 450DA

Double Check Detector Assembly – Backflow Preventers 4" to 10"



Repair Kit Components		4"							4" and 6"	6"							8" and 10"				
Size Range		RK4-350	RK4-350DA	RK4-350CK1	RK4-350CK2	RK4-LBF-VALVE-COVER	BRK4-LBF-SEATIRTNR	BRK4-LBF-SEAT2RTNTR	RK212-450-COVERPLATE	RK6-350	RK6-350DA	RK6-350CK1	RK6-350CK2	RK6-LBF-VALVE-COVER	BRK6-LBF-SEATIRTNR	BRK6-LBF-SEAT2RTNTR	RK8-350	RK8-350DA	RK8-350CK1	RK8-450DACK2	RK8-350-COVERPLATE
4"		•	•	•	•	•	•	•	•												
6"									•	•	•	•	•	•	•						
8"																	•	•	•	•	•
10"																	•	•	•	•	•
Item #	Item Description																				
1	Cover Plate								•												•
2	O-Ring, Cover Plate								•												•
3	Bolt, Cover Plate								•(x2)												•(x2)
4	Seat Retainer #1			•			•(x6)				•				•(x6)				•(x4)	•(x7)	
5	Seat Retainer #2				•			•(x6)				•				•(x6)					
6	O-Ring, Seat	•(x2)	•(x2)	•	•					•(x2)	•(x2)		•	•			•(x2)	•(x2)	•	•	
7	Bolt, Poppet Retainer			•(x4)	•(x4)							•(x4)	•(x4)						•(x6)	•(x6)	
8	Handle, #1 Poppet Assembly											•									
9	Washer, Poppet Retainer			•(x4)	•(x4)							•(x4)	•(x4)						•(x6)	•(x6)	
10	O-Ring, Poppet Retainer	•(x8)	•(x8)	•(x4)	•(x4)					•(x8)	•(x8)	•(x4)	•(x4)				•(x12)	•(x12)	•(x6)	•(x6)	
11	Poppet Retainer			•	•							•	•						•	•	
12	Seal Ring	•(x2)	•(x2)	•	•					•(x2)	•(x2)	•	•				•(x2)	•(x2)	•	•	
13	Seat Assembly #1 Poppet			•								•							•		
14	Seat Assembly #2 Poppet				•							•							•		
15	Washer, Seat																		•(x4)	•(x7)	
	Bypass Rubber Repair Kit		•								•						•				

Whole Goods (Available for individual sale)					
Item #	Item Description	4"	6"	8"	10"
16	Gate Valve, OS&Y (GxG)	4-48OSYG	6-48OSYG	8-48OSYG	10-48OSYG
	Gate Valve, OS&Y (GxF)	4-48OSYGXF	6-48OSYGXF	8-48OSYGXF	10-48OSYGXF
	Gate Valve, Post Indicator (GxG)	4-48PIVG	6-48PIVG	8-48PIVG	10-48PIVG
	Gate Valve, Post Indicator (GxF)	4-48PIVGXF	6-48PIVGXF	8-48PIVGXF	10-48PIVGXF
	Butterfly Valve (GxG)	4-49G	6-49G	8-49G	10-49G
	Butterfly Valve (GxF)	4-49GXF	6-49GXF	8-49GXF	10-49GXF
17	Ball Valve, FxF	12-850XL	34-850XL	34-850XL	34-850XL
18	Cover Retainer Assembly	6-23	8-23	12-23	12-23
19	Grooved Coupling	4-23	8-23	8-23	10-23
20	Cover	RK4-LBF-VALVE-COVER	RK6-LBF-VALVE-COVER		RK8-LBF-VALVE-COVER
21	Bulkhead Fitting	RK12-BULKHEAD-M		RK34-BULKHEAD-F	
22	Sensing Line Bulkhead Fitting		RK12-BULKHEAD-F		RK34-BULKHEAD-M
23	Water Meter			557-54XL	
24	Bypass Valve			34-950XLD	
25	Bypass Assembly	RK4-450DA-BP-LM	RK6-450DA-BP-LM		RK8-450DA-BP-LM
	Bypass Rubber Repair Kit			RK34-950XLR	

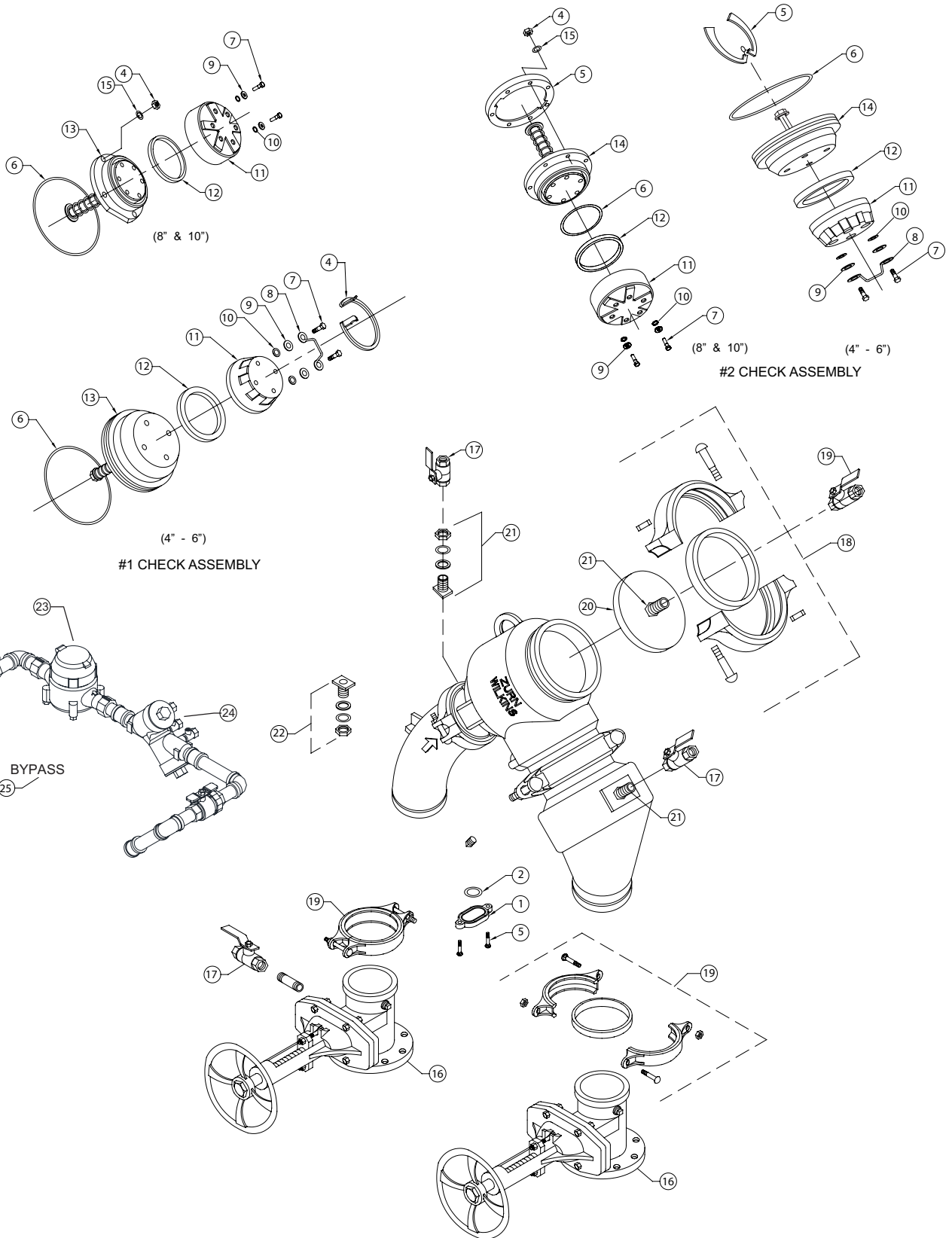
Item No.	Repair Kit Description
4"	
RK4-350	Standard Repair Kit, 2 1/2" - 4" 450DA
RK4-350DA	Main and Bypass Rubber Repair Kit 2 1/2" - 4" 450DA
RK4-350CK1	#1 Check Assembly Repair Kit, 2 1/2" - 4" 450DA
RK4-350CK2	#2 Check Assembly Repair Kit, 2 1/2" - 4" 450DA
RK4-LBF-VALVE-COVER	Valve Cover Repair Kit, 2 1/2" - 4" 450DA
BRK4-LBF-SEATIRTNR	Bulk #1 Seat Retainer Repair Kit, 2 1/2" - 4" 450DA
BRK4-LBF-SEAT2RTNTR	Bulk #2 Seat Retainer Repair Kit, 2 1/2" - 4" 450DA
4" and 6"	
RK212-450-COVERPLATE	Cover Plate Repair Kit, 4" - 6" 450DA

Item No.	Repair Kit Description
6"	
RK6-350	Standard Repair Kit, 6" 450DA
RK6-350DA	Main and Bypass Rubber Repair Kit 6" 450DA
RK6-350CK1	#1 Check Assembly Repair Kit, 6" 450DA
RK6-350CK2	#2 Check Assembly Repair Kit, 6" 450DA
RK6-LBF-VALVE-COVER	Valve Cover Repair Kit, 6" 450DA
BRK6-LBF-SEATIRTNR	Bulk #1 Seat Retainer Repair Kit, 6" 450DA
BRK6-LBF-SEAT2RTNTR	Bulk #2 Seat Retainer Repair Kit, 6" 450DA
8" and 10"	
RK8-350	Standard Repair Kit, 8" and 10" 450DA
RK8-350DA	Main and Bypass Rubber Repair Kit 8" and 10" 450DA
RK8-350CK1	#1 Check Assembly Repair Kit, 8" and 10" 450DA
RK8-450DACK2	#2 Check Assembly Repair Kit, 8" and 10" 450DA
RK8-350-COVERPLATE	Cover Plate Repair Kit, 8" and 10" 450DA

MODEL 450DA

Double Check Detector Assembly – Backflow Preventers 4" to 10"

Parts Drawing



MODEL 450STDA

Stainless Steel Double Check Detector Assembly – 4" to 10"



Repair Kit Components		4"					4" and 6"	6"					8" and 10"				
Size Range		RK4-350	RK4-350DA	RK4-450STCK4	RK4-450STDACK2	BRK4-SSLBF-SEATIRTNR	RK4-350AST-COVRPLATE	RK6-350	RK6-350DA	RK6-450STCK4	RK6-450STDACK2	BRK6-SSLBF-SEATIRTNR	RK8-350	RK8-350DA	RK8-350-COVRPLATE	RK8-450STCK1	RK8-450STDACK2
4"		•	•	•	•	•	•										
6"							•	•	•	•	•						
8"												•	•	•	•	•	•
10"												•	•	•	•	•	•
Item #	Item Description																
1	O-Ring, Cover Plate						•								•		
2	Cover Plate						•								•		
3	Bolt, Cover Plate						•(x2)								•(x2)		
4	Seat Retainer			•	•	•(x6)			•	•	•(x6)						
5	O-Ring, Seat	•(x2)	•(x2)	•	•			•(x2)	•(x2)	•	•	•(x2)	•(x2)			•	•
6	Bolt, Poppet Retainer			•(x4)	•(x4)				•(x4)	•(x4)					•(x6)	•(x6)	
7	Handle, Poppet Assembly			•	•				•	•					•	•	
8	Washer			•(x4)	•(x4)				•(x4)	•(x4)					•(x6)	•(x6)	
9	O-Ring, Retainer	•(x8)	•(x8)	•(x4)	•(x4)			•(x8)	•(x8)	•(x4)	•(x4)	•(x12)	•(x12)		•(x6)	•(x6)	
10	Poppet Retainer			•	•				•	•					•	•	
11	Seal Ring	•(x2)	•(x2)	•	•			•(x2)	•(x2)	•	•	•(x2)	•(x2)		•	•	
12	Seat Assembly			•	•				•	•					•	•	
13	Washer, Seat Retainer														•(x4)	•(x4)	
14	Nut, Seat Retainer														•(x4)	•(x4)	
	Bypass Rubber Repair Kit		•						•				•				

Whole Goods (Available for individual sale)

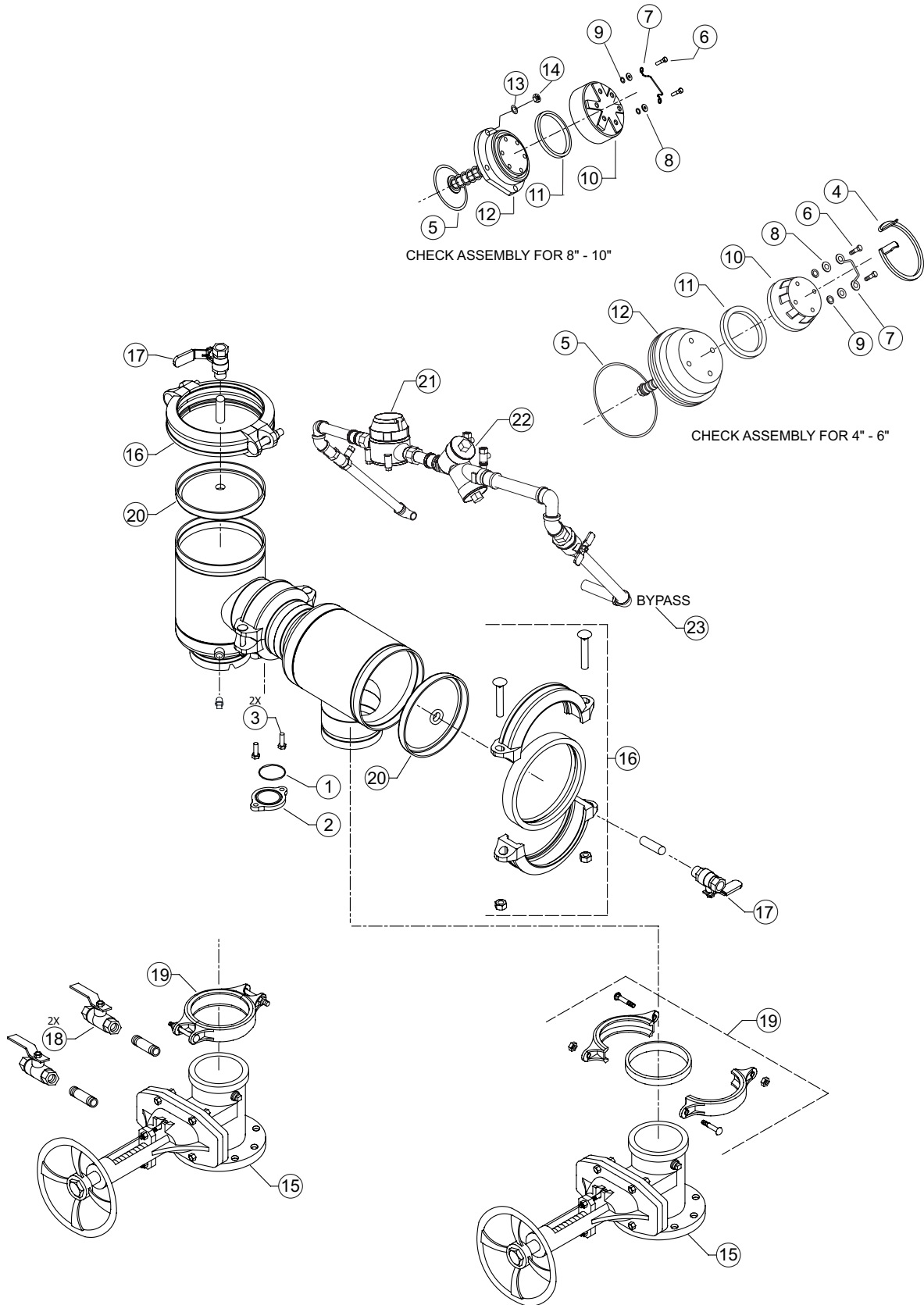
Item #	Item Description	4"	6"	8"	10"
15	Gate Valve, OS&Y (GxG)	4-480SYG	6-480SYG	8-480SYG	10-480SYG
	Gate Valve, OS&Y (GxF)	4-480SYGXF	6-480SYGXF	8-480SYGXF	10-480SYGXF
	Gate Valve, PI (GxG)	4-48PIVG	6-48PIVG	8-48PIVG	10-48PIVG
	Gate Valve, PI (GxF)	4-48PIVGXF	6-48PIVGXF	8-48PIVGXF	10-48PIVGXF
	Butterfly Valve (GXG)	4-49G	6-49G	8-49G	10-49G
	Butterfly Valve (GXF)	4-49GXF	6-49GXF	8-49GXF	10-49GXF
16	Grooved Coupling, Cover	6-23	8-23	12-23	12-23
17	Ball Valve, Cover	12-850MXL		34-850XL	
18	Ball Valve, Shut Off Valve	12-850XL		34-850XL	
19	Grooved Coupling, Body	4-23	6-23	8-23	10-23
20	Cover	3509ST-3	3510ST-3		
21	Water Meter				3511ST-3
22	Bypass Valve			557-54XL 34-950XLD	
23	Bypass Assembly, 450ST	RK4-450STDA-BP-LM	RK6-450STDA-BP-LM	RK8-450STDA-BP-LM	RK10-450STDA-BP-LM
	Bypass Assembly, 450STR	RK4-450STDAR-BP-LM	RK6-450STDAR-BP-LM	RK8-450STDAR-BP-LM	RK10-450STDAR-BP-LM
	Bypass Rubber Repair Kit				RK34-950XLR

Item No.	Repair Kit Description
4"	
RK4-350	Rubber Repair Kit, 4" 450STDA
RK4-350DA	Complete Rubber Repair Kit, 4" 450STDA
RK4-450STCK4	#1 Check Assembly Repair Kit, 4" 450STDA
RK4-450STDACK2	#2 Check Assembly Repair Kit, 4" 450STDA
BRK4-SSLBF-SEATIRTNR	Bulk Seat Retainer Repair Kit, 4" 450STDA
4" and 6"	
RK4-350AST-COVRPLATE	Cover Plate Repair Kit, 4" and 6" 450STDA
6"	
RK6-350	Rubber Repair Kit, 6" 450STDA
RK6-350DA	Complete Rubber Repair Kit, 6" 450STDA
RK6-450STCK4	#1 Check Assembly Repair Kit, 6" 450STDA
RK6-450STDACK4	#2 Check Assembly Repair Kit, 6" 450STDA
BRK6-SSLBF-SEATIRTNR	Bulk Seat Retainer Repair Kit, 6" 450STDA
8" and 10"	
RK8-350	Rubber Repair Kit, 8" and 10" 450STDA
RK8-350DA	Complete Rubber Repair Kit, 8" and 10" 450STDA
RK8-350-COVRPLATE	Cover Plate Repair Kit, 8" and 10" 450STDA
RK8-450STCK1	#1 Check Assembly Repair Kit, 8" and 10" 450STDA
RK8-450STDACK2	#2 Check Assembly Repair Kit, 8" and 10" 450STDA

MODEL 450STDA

Stainless Steel Double Check Detector Assembly – 4" to 10"

Parts Drawing



MODEL 375DA



Reduced Pressure Detector Assembly – Backflow Preventers 2 1/2" to 3"

Repair Kit Components		2 1/2"	2 1/2" and 3"									3"
Item #	Item Description	212-BK	RK212-350	RK212-350DA	RK212-375DAC	RK212-375CK1	RK212-350DACK2	RK212-RV375-HOSE	RK212-RV-ASSY	BRK212-300-SEAT1-RTNR	BRK212-300-SEAT2-RTNR	3-BK
1	Bolt, Flange	•(x8)										•(x8)
2	Nut, Flange	•(x8)										•(x8)
3	Gasket, Flange	•(x2)										•(x2)
4	O-Ring, Relief Valve								•			
5	Relief Valve Assembly								•			
6	Bolt, Relief Valve								•(x2)			
7	Seat Retainer #1					•				•(x6)		
8	Seat Retainer #2						•				•(x6)	
9	O-Ring, Seat		•(x2)	•(x2)	•(x2)	•	•					
10	Nut, Poppet Retainer					•	•					
11	Washer, #1 Check					•						
12	Washer, #2 Check						•					
13	O-Ring, Stem		•(x2)	•(x2)	•(x2)	•	•					
14	Poppet Retainer					•	•					
15	Seal Ring		•(x2)	•(x2)	•(x2)	•	•					
16	Seat Assembly, #1 Poppet					•						
17	Seat Assembly, #2 Poppet						•					
18	Sensing Tube Fitting, Relief Valve Cover							•	•			
19	Sensing Tube Fitting, Body							•				
20	Sensing Tube							•				
	Bypass Rubber Repair Kit			•	•							
	Relief Valve Rubber Repair Kit				•							

Whole Goods (Available for individual sale)

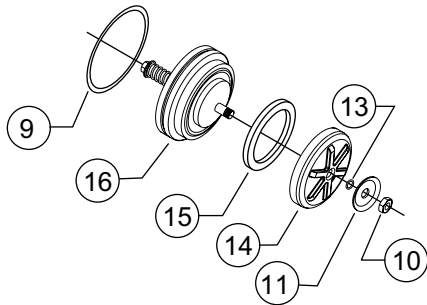
Item #	Item Description	2 1/2"	3"
21	Gate Valve, OS&Y (FxF)	212-480SY	3-480SY
	Gate Valve, OS&Y (GxF)	212-480SYGXF	3-480SYGXF
	Gate Valve, Post Indicator (FxF)	212-48PIV	3-48PIV
	Gate Valve, Post Indicator (GxF)	212-48PIVGXF	3-48PIVGXF
	Butterfly Valves (GxF)	212-49GXF	3-49GXF
22	Ball Valve, FxF	12-850XL	12-850XL
23	Ball Valve, MxF	12-850MXL	12-850MXL
24	Cover Retainer Assembly		5-23
25	Bulkhead Fitting		RK12-BULKHEAD-M
26	Sensing Bulkhead Fitting		RK12-BULKHEAD-F
27	Cover		RK212-LBF-VLV-COVER
28	Water Meter		557-54XL
29	Bypass Valve		34-975XLD
30	Bypass Assembly		RK212-375DA-BP-LM
	Bypass Rubber Repair Kit		RK34-975XLR
	Relief Valve Rubber Repair Kit		RK212-375R

Item No.	Repair Kit Description
	2 1/2"
212-BK	Flanged Kit, 2 1/2"
	2 1/2" and 3"
RK212-350	Main Valve Rubber Repair Kit, 2 1/2" and 3" 375DA
RK212-350DA	Main Valve and Bypass Rubber Repair Kit, 2 1/2" and 3" 375DA
RK212-375DAC	Complete Rubber Repair Kit, 2 1/2" and 3" 375DA
RK212-375CK1	First Check Assembly Repair Kit, 2 1/2" and 3" 375DA
RK212-350DACK2	Second Check Assembly Repair Kit, 2 1/2" and 3" 375DA
RK212-RV375-HOSE	Relief Valve Hose Repair Kit, 2 1/2" and 3" 375DA
RK212-RV-ASSY	Complete Relief Valve Repair Kit, 2 1/2" and 3" 375DA
BRK212-300-SEAT1-RTNR	#1 Check Seat Retainer Bulk Kit, 2 1/2" and 3" 375DA
BRK212-300-SEAT2-RTNR	#2 Check Seat Retainer Bulk Kit, 2 1/2" and 3" 375DA
	3"
3-BK	Flanged Kit, 3"

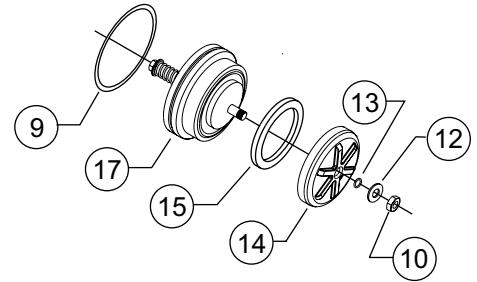
MODEL 375DA

Reduced Pressure Detector Assembly – Backflow Preventers 2 1/2" to 3"

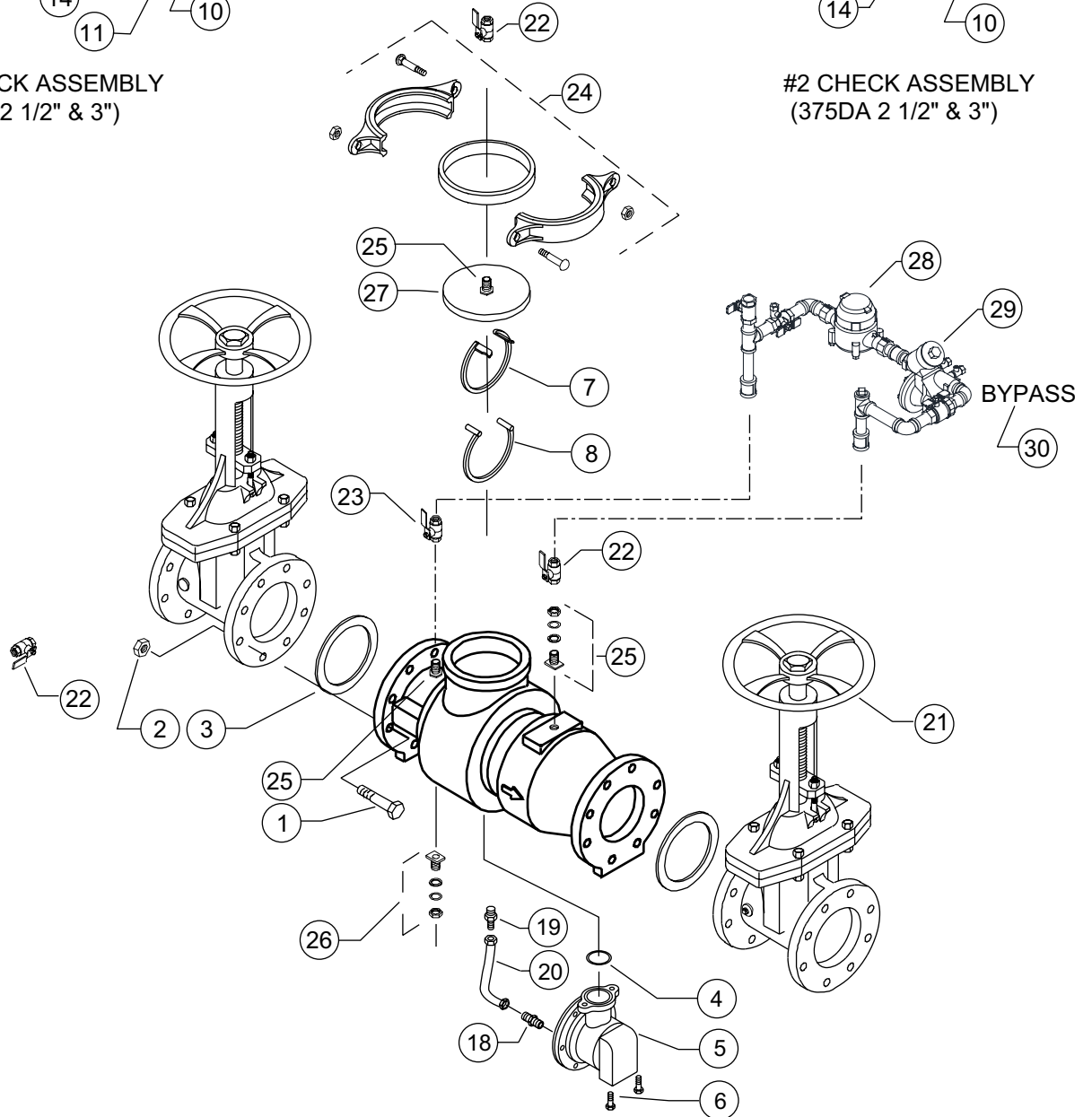
Parts Drawing



#1 CHECK ASSEMBLY
(375DA 2 1/2" & 3")



#2 CHECK ASSEMBLY
(375DA 2 1/2" & 3")



MODEL 375DA
(2 1/2"-3")

MODEL 375DA



Reduced Pressure Detector Assembly – Backflow Preventers 4" to 10"

Repair Kit Components		4"								4" and 6"		6"						8"		8" and 10"						10"				
Size Range		4-BK	RK212-375A-HOSE	RK4-350	RK4-350DA	RK4-375DAC	RK4-375CK1	RK4-350CK2	BRK4-LBF-SEAT1RTNR	BRK4-LBF-SEAT2RTNR	RK212-RV-ASSY	6-BK	RK6-350	RK6-350DA	RK6-375DAC	RK6-375CK1	RK6-350CK2	BRK6-LBF-SEAT1RTNR	BRK6-LBF-SEAT2RTNR	RK6-RV375-HOSE	8-BK	RK8-350	RK8-350DA	RK8-375DAC	RK8-375CK1	RK8-450DACK2	RK8-RV375-HOSE	RK8-RV-ASSY	10-BK	
4"		•	•	•	•	•	•	•	•	•	•																			
6"											•	•	•	•	•	•	•	•	•	•										
8"																					•	•	•	•	•	•	•	•	•	
10"																						•	•	•	•	•	•	•	•	•
Item #	Item Description																													
1	Bolt, Flange	•(x16)										•(x16)										•(x16)								•(x24)
2	Nut, Flange	•(x16)										•(x16)										•(x16)								•(x24)
3	Gasket, Flange	•(x2)										•(x2)										•(x2)								•(x2)
4	O-Ring, Relief Valve										•																			•
5	Relief Valve Assembly										•																			•
6	Bolt, Relief Valve										•(x2)																			•(x2)
7	Seat Retainer #1						•		•(x6)						•			•(x6)							•(x4)	•(x7)				
8	Seat Retainer #2							•(x2)	•(x12)								•(x2)	•(x12)												
9	O-Ring, Seat		•(x2)	•(x2)	•(x2)	•	•					•(x2)	•(x2)	•(x2)	•	•						•(x2)	•(x2)	•(x2)						
10	Bolt, Poppet Retainer					•(x4)	•(x4)								•(x4)	•(x4)									•(x6)	•(x6)				
11	Handle, #1 Poppet Assembly					•									•															
12	Washer, Poppet Bolt					•(x4)	•(x4)								•(x4)	•(x4)									•(x6)	•(x6)				
13	O-Ring, Poppet Bolt		•(x8)	•(x8)	•(x8)	•(x4)	•(x4)					•(x8)	•(x8)	•(x8)	•(x4)	•(x4)						•(x12)	•(x12)	•(x12)	•(x6)	•(x6)				
14	Poppet Retainer					•	•								•	•									•	•				
15	Seal Ring		•(x2)	•(x2)	•(x2)	•	•					•(x2)	•(x2)	•(x2)	•	•						•(x2)	•(x2)	•(x2)	•	•				
16	Seat Assembly, #1 Poppet					•									•										•					
17	Seat Assembly, #2 Poppet					•									•										•					
18	Sensing Tube Fitting	•								•											•									•
19	Pilot Tube Assembly	•																			•									•
20	Sensing Tube	•																			•									•
21	Washer, Seat Retainer																								•(x4)	•(x7)				
	Bypass Rubber Repair Kit				•	•							•	•										•	•					
	Relief Valve Rubber Repair Kit, 2 1/2" - 6"					•									•															
	Relief Valve Rubber Repair Kit, 8" and 10"																								•					

Whole Goods (Available for individual sale)					
Item #	Item Description	4"	6"	8"	10"
22	Gate Valve, OS&Y (FxF)	4-48OSY	6-48OSY	8-48OSY	10-48OSY
	Gate Valve, OS&Y (GXF)	4-48OSYGXF	6-48OSYGXF	8-48OSYGXF	10-48OSYGXF
	Gate Valve, Post Indicator (FxF)	4-48PIV	6-48PIV	8-48PIV	10-48PIV
	Gate Valve, Post Indicator (GXF)	4-48PIVGXF	6-48PIVGXF	8-48PIVGXF	10-48PIVGXF
	Butterfly Valve (GxF)	4-49GXF	6-49GXF	8-49GXF	10-49GXF
23	Ball Valve, FxF	12-850XL			
24	Ball Valve, MxF	12-850MXL			
25	Cover Retainer Coupling	6-23	8-23		12-23
26	Bulkhead Fitting	RK12-BULKHEAD-M			RK34-BULKHEAD-F
27	Sensing Line Bulkhead Fitting	RK12-BULKHEAD-F			RK34-BULKHEAD-M
28	Cover	RK4-LBF-VALVE-COVER	RK6-LBF-VALVE-COVER	RK8-LBF-VALVE-COVER	RK8-LBF-VALVE-COVER
29	Water Meter			557-54XL	
30	Bypass Valve			34-975XLD	
31	Bypass Assembly	RK4-375DA-BP-LM	RK6-375DA-BP-LM		RK8-375DA-BP-LM
	Bypass Rubber Repair Kit			RK34-975XLR	
	Relief Valve Rubber Repair Kit		RK212-375R		RK8-375R

Item No.	Repair Kit Description
4-BK	Flanged Kit, 4"
RK212-375A-HOSE	Braided Hose Repair Kit, 2 1/2" - 4" 375ADA
RK4-350	Standard Repair Kit, 4" 375DA
RK4-350DA	Main and Bypass Rubber Repair Kit 4" 375DA
RK4-375DAC	Complete Rubber Repair Kit 4" 375DA
RK4-375CK1	#1 Check Assembly Repair Kit, 4" 375DA
RK4-350CK2	#2 Check Assembly Repair Kit, 4" 375DA
BRK4-LBF-SEAT1RTNR	Bulk #1 Seat Retainer Repair Kit, 4" 375DA
BRK4-LBF-SEAT2RTNR	Bulk #2 Seat Retainer Repair Kit, 4" 375DA
4" and 6"	
RK212-RV-ASSY	Relief Valve Assembly Repair Kit, 4" - 6" 375DA

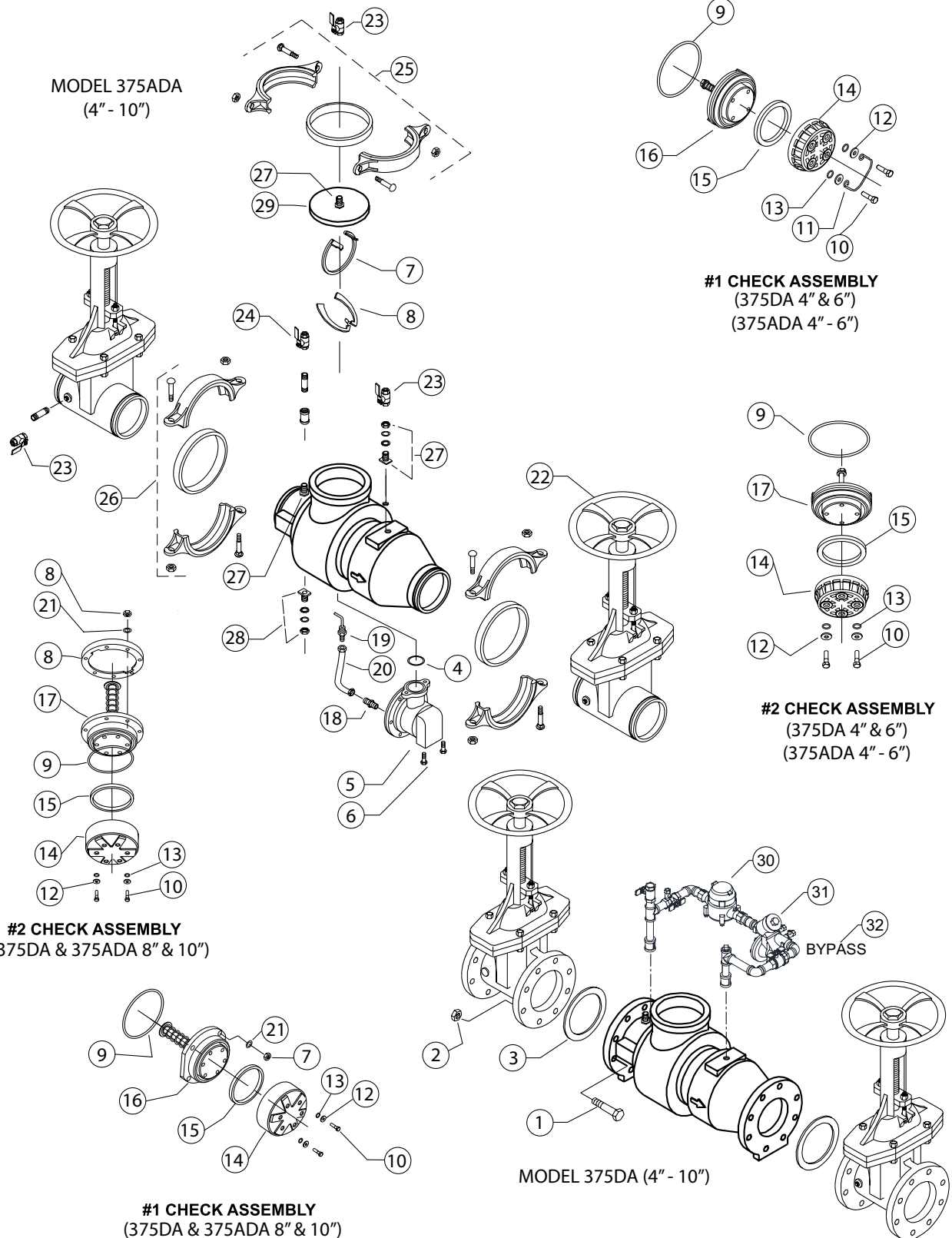
Item No.	Repair Kit Description
6-BK	Flanged Kit, 6"
RK6-350	Standard Repair Kit, 6" 375DA
RK6-350DA	Main and Bypass Rubber Repair Kit 6" 375DA
RK6-350DAC	Complete Rubber Repair Kit, 6" 375DA
RK6-375CK1	#1 Check Assembly Repair Kit, 6" 375DA
RK6-350CK2	#2 Check Assembly Repair Kit, 6" 375DA
BRK6-LBF-SEAT1RTNR	Bulk #1 Seat Retainer Repair Kit, 6" 375DA
BRK6-LBF-SEAT2RTNR	Bulk #2 Seat Retainer Repair Kit, 6" 375DA
RK6-RV375-HOSE	Braided Hose Repair Kit, 6" 375DA
8"	
8-BK	Flanged Kit, 8"

Item No.	Repair Kit Description
RK8-350	Standard Repair Kit, 8" and 10" 375DA
RK8-350DA	Main and Bypass Rubber Repair Kit 8" and 10" 375DA
RK8-375DAC	Complete Rubber Repair Kit, 8" and 10" 375DA
RK8-375CK1	#1 Check Assembly Repair Kit, 8" and 10" 375DA
RK8-450DACK2	#2 Check Assembly Repair Kit, 8" and 10" 375DA
RK8-RV375-HOSE	Braided Hose Repair Kit, 8" and 10" 375DA
RK8-RV-ASSY	Relief Valve Assembly Repair Kit, 8" and 10" 375DA
10"	
10-BK	Flanged Kit, 10"

MODEL 375DA

Reduced Pressure Detector Assembly – Backflow Preventers 4" to 10"

Parts Drawing



MODEL 375ADA
(4" - 10")

#1 CHECK ASSEMBLY
(375DA 4" & 6")
(375ADA 4" - 6")

#2 CHECK ASSEMBLY
(375DA 4" & 6")
(375ADA 4" - 6")

#2 CHECK ASSEMBLY
(375DA & 375ADA 8" & 10")

#1 CHECK ASSEMBLY
(375DA & 375ADA 8" & 10")

MODEL 375DA (4" - 10")

MODEL 375ADA



Reduced Pressure Detector Assembly – Backflow Preventers 2 1/2" to 10"

Repair Kit Components		2 1/2" - 4"						2 1/2" - 6"		6"				8" and 10"										
Size Range	RK212-RV375A-HOSE	RK4-350	RK4-350DA	RK4-375DAC	RK4-375CK1	RK4-350CK2	BRK4-LBF-SEATIRTNR	BRK4-LBF-SEAT2RTNR	RK212-RV-ASSY	RK6-350	RK6-350DA	RK6-375DAC	RK6-375CK1	RK6-350CK2	BRK6-LBF-SEATIRTNR	BRK6-LBF-SEAT2RTNR	RK6-RV375-HOSE	RK8-350	RK8-350DA	RK8-375DAC	RK8-375CK1	RK8-450DACK2	RK8-RV375-HOSE	RK8-RV-ASSY
2 1/2"	•	•	•	•	•	•	•	•	•															
3"	•	•	•	•	•	•	•	•	•															
4"	•	•	•	•	•	•	•	•	•															
6"									•	•	•	•	•	•	•	•	•							
8"																		•	•	•	•	•	•	•
10"																		•	•	•	•	•	•	•
Item #	Item Description																							
1	Bolt, Flange																							
2	Nut, Flange																							
3	Gasket, Flange																							
4	O-Ring, Relief Valve								•															•
5	Relief Valve Assembly								•															•
6	Bolt, Relief Valve								•(x2)															•(x2)
7	Seat Retainer #1						•(x6)					•			•(x6)							•(x4)	•(x7)	
8	Seat Retainer #2						•(x2)	•(x12)						•(x2)		•(x12)								
9	O-Ring, Seat		•(x2)	•(x2)	•(x2)	•	•			•(x2)	•(x2)	•(x2)	•	•				•(x2)	•(x2)	•(x2)				
10	Bolt, Poppet Retainer						•(x4)	•(x4)						•(x4)	•(x4)							•(x6)	•(x6)	
11	Handle, #1 Poppet Assembly						•							•										
12	Washer, Poppet Bolt						•(x4)	•(x4)						•(x4)	•(x4)							•(x6)	•(x6)	
13	O-Ring, Poppet Bolt		•(x8)	•(x8)	•(x8)	•(x4)	•(x4)			•(x8)	•(x8)	•(x8)	•(x4)	•(x4)				•(x12)	•(x12)	•(x12)		•(x6)	•(x6)	
14	Poppet Retainer						•	•						•	•							•	•	
15	Seal Ring		•(x2)	•(x2)	•(x2)	•	•			•(x2)	•(x2)	•(x2)	•	•				•(x2)	•(x2)	•(x2)		•	•	
16	Seat Assembly, #1 Poppet						•							•								•		
17	Seat Assembly, #2 Poppet						•							•								•		
18	Sensing Tube Fitting	•							•									•						•
19	Pitot Tube Assembly	•																•						•
20	Sensing Tube																	•						•
21	Washer, Seat Retainer																					•(x4)	•(x7)	
	Bypass Rubber Repair Kit			•	•					•	•							•	•					
	Relief Valve Rubber Repair Kit			•							•									•				

Whole Goods (Available for individual sale)							
Item #	Item Description	2 1/2"	3"	4"	6"	8"	10"
22	Gate Valve, OS&Y (GXG)	212-480SYG	3-480SYG	4-480SYG	6-480SYG	8-480SYG	10-480SYG
	Gate Valve, OS&Y (GXF)	212-480SYGXF	3-480SYGXF	4-480SYGXF	6-480SYGXF	8-480SYGXF	10-480SYGXF
	Gate Valve, Post Indicator (GxG)	212-48PIVG	3-48PIVG	4-48PIVG	6-48PIVG	8-48PIVG	10-48PIVG
	Gate Valve, Post Indicator (GxF)	212-48PIVGXF	3-48PIVGXF	4-48PIVGXF	6-48PIVGXF	8-48PIVGXF	10-48PIVGXF
	Butterfly Valve (GxG)	212-49G	3-49G	4-49G	6-49G	8-49G	10-49G
	Butterfly Valve (GxF)	212-49GXF	3-49GXF	4-49GXF	6-49GXF	8-49GXF	10-49GXF
23	Ball Valve, FxF		12-850XL				
24	Ball Valve, MxF		12-850MXL				
25	Cover Retainer Assembly		6-23		8-23	12-23	
26	Grooved Coupling	4X212-23	4X3-23	4-23	6-23		10-23
27	Bulkhead Fitting		RK12-BULKHEAD-M			RK34-BULKHEAD-F	
28	Sensing Line Bulkhead Fitting		RK12-BULKHEAD-F			RK34-BULKHEAD-M	
29	Cover		RK4-LBF-VALVE-COVER		RK6-LBF-VALVE-COVER	RK8-LBF-VALVE-COVER	
30	Water Meter				557-54XL		
31	Bypass Valve				34-975XLD		
32	Bypass Assembly		RK4-375DA-BP-LM		RK6-375DA-BP-LM	RK8-375DA-BP-LM	
	Bypass Rubber Repair Kit				RK34-975XLR		
	Relief Valve Rubber Repair Kit			RK212-375R			RK8-375R

Item No.	Repair Kit Description
2 1/2" - 4"	
RK212-RV375A-HOSE	Braided Hose Repair Kit, 2 1/2" - 4" 375ADA
RK4-350	Standard Repair Kit, 2 1/2" - 4" 375ADA
RK4-350DA	Main and Bypass Rubber Repair Kit, 2 1/2" - 4" 375ADA
RK4-375DAC	Complete Rubber Repair Kit, 2 1/2" - 4" 375ADA
RK4-375CK1	#1 Check Assembly Repair Kit, 2 1/2" - 4" 375ADA
RK4-350CK2	#2 Check Assembly Repair Kit, 2 1/2" - 4" 375ADA
BRK4-LBF-SEATIRTNR	Bulk #1 Seat Retainer Repair Kit, 2 1/2" - 4" 375ADA
BRK4-LBF-SEAT2RTNR	Bulk #2 Seat Retainer Repair Kit, 2 1/2" - 4" 375ADA
2 1/2" - 6"	
RK212-RV-ASSY	Relief Valve Assembly Repair Kit, 2 1/2" - 6" 375ADA

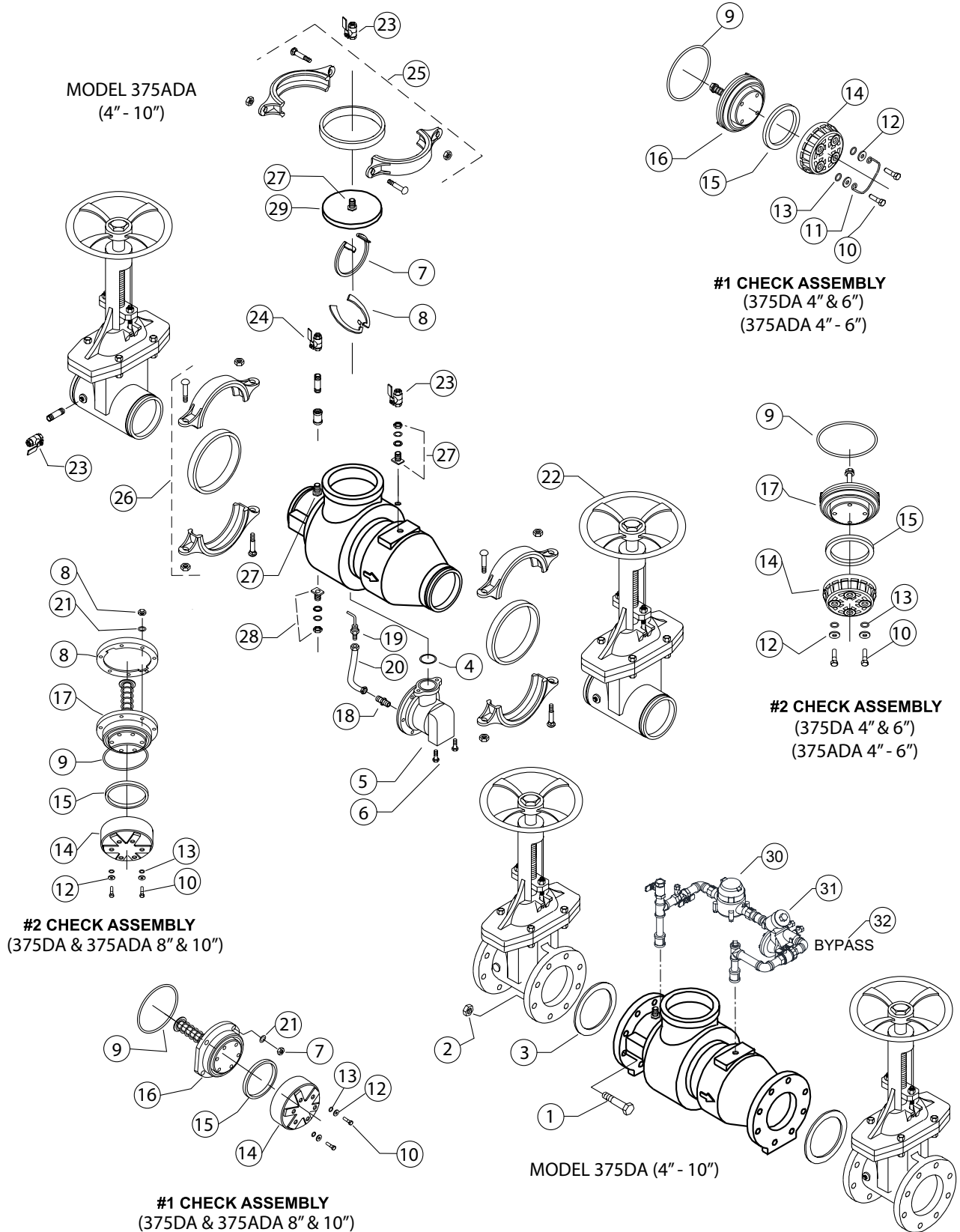
Item No.	Repair Kit Description
6"	
RK6-350	Standard Repair Kit, 6" 375ADA
RK6-350DA	Main and Bypass Rubber Repair Kit, 6" 375ADA
RK6-375DAC	Complete Rubber Repair Kit, 6" 375ADA
RK6-375CK1	#1 Check Assembly Repair Kit, 6" 375ADA
RK6-350CK2	#2 Check Assembly Repair Kit, 6" 375ADA
BRK6-LBF-SEATIRTNR	Bulk #1 Seat Retainer Repair Kit, 6" 375ADA
BRK6-LBF-SEAT2RTNR	Bulk #2 Seat Retainer Repair Kit, 6" 375ADA
RK6-RV375-HOSE	Braided Hose Repair Kit, 6" 375

Item No.	Repair Kit Description
8" and 10"	
RK8-350	Standard Repair Kit, 8" and 10" 375ADA
RK8-350DA	Main and Bypass Rubber Repair Kit, 8" and 10" 375ADA
RK8-375DAC	Complete Rubber Repair Kit, 8" and 10" 375ADA
RK8-375CK1	#1 Check Assembly Repair Kit, 8" and 10" 375ADA
RK8-450DACK2	#2 Check Assembly Repair Kit, 10" 375ADA
RK8-RV375-HOSE	Braided Hose Repair Kit, 8" and 10" 375
RK8-RV-ASSY	Relief Valve Assembly Repair Kit, 8" and 10" 375ADA

MODEL 375ADA

Reduced Pressure Detector Assembly – Backflow Preventers 2 1/2" to 10"

Parts Drawing



MODEL 375ASTDA



Stainless Steel Reduced Pressure Detector Assembly – Backflow Preventers 2 1/2" to 10"

Repair Kit Components		2 1/2"	3" and 4"	2 1/2" - 4"				2 1/2" - 6"	6"				8" and 10"													
Size Range		RK212-350ASTDACK2	RK4-350ASTDACK2	RK4-350	RK4-350DA	RK4-375DAC	RK4-375ASTCK1	BRK4-SSLBF-SEATIRTNR	BRK4-SSLBF-SEATZRTNR	RK212-RV375AST-HOSE	RK212-RV-ASSY	RK6-RV375AST-HOSE	RK6-350	RK6-350DA	RK6-375DAC	RK6-375ASTCK1	RK6-350ASTDACK2	BRK6-SSLBF-SEATIRTNR	BRK6-SSLBF-SEATZRTNR	RK8-RV375AST-HOSE	RK8-350	RK8-350DA	RK8-375DAC	RK8-375ASTCK1	RK8-375ASTDACK2	RK8-RV-ASSY
2 1/2"		•		•	•	•	•	•	•																	
3"			•	•	•	•	•	•	•																	
4"			•	•	•	•	•	•	•																	
6"										•	•	•	•	•	•	•	•	•	•							
8"																				•	•	•	•	•	•	•
10"																				•	•	•	•	•	•	•
Item #	Item Description																									
1	O-Ring, Relief Valve									•																•
2	Relief Valve Assembly									•																•
3	Bolt, Relief Valve									•(x2)																•(x2)
4	Seat Retainer #2		•(x2)							•(x6)										•(x6)						
5	Seat Retainer #1						•	•(x6)									•	•	•(x6)							
6	O-Ring, Seat	•	•	•(x2)	•(x2)	•(x2)	•	•				•(x2)	•(x2)	•(x2)	•	•	•	•(x6)			•(x2)	•(x2)	•(x2)	•	•	
7	Bolt, Poppet Retainer	•(x4)	•(x4)					•(x4)																•(x6)	•(x6)	
8	Handle, #1 Poppet Assembly							•																		
9	Washer	•(x4)	•(x4)				•(x4)									•(x4)	•(x4)							•(x6)	•(x6)	
10	O-Ring, Retainer	•(x4)	•(x4)	•(x8)	•(x8)	•(x8)	•(x4)					•(x8)	•(x8)	•(x8)	•(x4)	•(x4)					•(x12)	•(x12)	•(x12)	•(x6)	•(x6)	
11	Poppet Retainer	•	•				•									•	•							•	•	
12	Seal Ring	•	•	•(x2)	•(x2)	•(x2)	•					•(x2)	•(x2)	•(x2)	•	•					•(x2)	•(x2)	•(x2)	•	•	
13	Seat Assembly, #1 Poppet						•									•								•		
14	Seat Assembly, #2 Poppet	•	•														•								•	
15	Sensing Tube Fitting								•(x2)	•	•(x2)										•(x2)					•
16	Sensing Tube								•		•										•					
17	Washer, Seat Retainer																							•(x4)	•(x7)	
18	Nut, Seat Retainer																							•(x4)	•(x7)	
	Bypass Rubber Repair Kit				•	•								•	•						•	•				
	Bypass Assembly																									
	Relief Valve Rubber Repair Kit					•								•									•			

Whole Goods (Available for individual sale)

Item #	Item Description	2 1/2"	3"	4"	6"	8"	10"
19	Gate Valve, OS&Y (GxG)	212-480SYG	3-480SYG	4-480SYG	6-480SYG	8-480SYG	10-480SYG
	Gate Valve, OS&Y (GxF)	212-480SYGXF	3-480SYGXF	4-480SYGXF	6-480SYGXF	8-480SYGXF	10-480SYGXF
	Gate Valve, Post Indicator (GxG)	212-48PIVG	3-48PIVG	4-48PIVG	6-48PIVG	8-48PIVG	10-48PIVG
	Gate Valve, Post Indicator (GxF)	212-48PIVGXF	3-48PIVGXF	4-48PIVGXF	6-48PIVGXF	8-48PIVGXF	10-48PIVGXF
	Butterfly Valve (GxG)	212-49G	3-49G	4-49G	6-49G	8-49G	10-49G
	Butterfly Valve (GxF)	212-49GXF	3-49GXF	4-49GXF	6-49GXF	8-49GXF	10-49GXF
20	Ball Valve, FxF		12-850XL			34-850XL	
21	Cover Ball Valve		12-850MXL			34-850XL	
22	Cover Retainer Assembly		6-23		8-23		12-23
23	Grooved Coupling	212-23	3-23	4-23	6-23	8-23	10-23
24	Cover		3509ST-3		3510ST-3		3511ST-3
25	Water Meter				557-54XL		
26	Bypass Valve				34-975XLD		
27	Bypass Assembly		RK212-375ASTDA-BP-LM		RK6-375ASTDA-BP-LM	RK8-375ASTDA-BP-LM	RK10-375ASTDA-BP-LM
	Bypass Rubber Repair Kit				RK34-975XLR		
	Relief Valve Rubber Repair Kit			RK212-375R			RK8-375R

Item No.	Repair Kit Description
	2 1/2"
RK212-350ASTDACK2	#2 Seat Assembly Repair Kit, 2 1/2" 375ASTDA
	4" and 6"
RK4-350ASTDACK2	#2 Check Assembly Repair Kit, 4" and 6" 375ASTDA
	2 1/2" - 4"
RK4-350	Standard Repair Kit, 2 1/2" - 4" 375ASTDA
RK4-350DA	Main and Bypass Rubber Repair Kit 2 1/2" - 4" 375ASTDA
RK4-375DAC	Complete Rubber Repair Kit 2 1/2" - 4" 375ASTDA
RK4-375ASTCK1	#1 Check Assembly Repair Kit, 2 1/2" - 4" 375ASTDA
BRK4-SSLBF-SEATIRTNR	Bulk #1 Seat Retainer Repair Kit, 2 1/2" - 4" 375ASTDA
BRK4-SSLBF-SEATZRTNR	Bulk #2 Seat Retainer Repair Kit, 2 1/2" - 4" 375ASTDA
RK212-RV375AST-HOSE	Braided Hose Repair Kit, 2 1/2" - 4" 375ASTDA
	2 1/2" - 6"
RK212-RV-ASSY	Relief Valve Assembly Repair Kit, 2 1/2" - 6" 375ASTDA

Item No.	Repair Kit Description
	6"
RK6-RV375AST-HOSE	Braided Hose Repair Kit, 6" 375ASTDA
RK6-350	Standard Repair Kit, 6" 375ASTDA
RK6-350DA	Main and Bypass Rubber Repair Kit 6" 375ASTDA
RK6-375DAC	Complete Rubber Repair Kit, 6" 375ASTDA
RK6-375ASTCK1	#1 Check Assembly Repair Kit, 6" 375ASTDA
RK6-350ASTDACK2	#2 Check Assembly Repair Kit, 6" 375ASTDA
BRK6-SSLBF-SEATIRTNR	Bulk #1 Seat Retainer Repair Kit, 6" 375ASTDA
BRK6-SSLBF-SEATZRTNR	Bulk #2 Seat Retainer Repair Kit, 6" 375ASTDA
	8" and 10"
RK8-RV375AST-HOSE	Braided Hose Repair Kit, 8" and 10" 375ASTDA
RK8-350	Standard Repair Kit, 8" and 10" 375ASTDA
RK8-350DA	Main and Bypass Rubber Repair Kit 8" and 10" 375ASTDA
RK8-375DAC	Complete Rubber Repair Kit, 8" and 10" 375ASTDA
RK8-375ASTCK1	#1 Check Assembly Repair Kit, 8" and 10" 375ASTDA
RK8-375ASTDACK2	#2 Check Assembly Repair Kit, 8" and 10" 375ASTDA
RK8-RV-ASSY	Relief Valve Assembly Repair Kit, 8" and 10" 375ASTDA

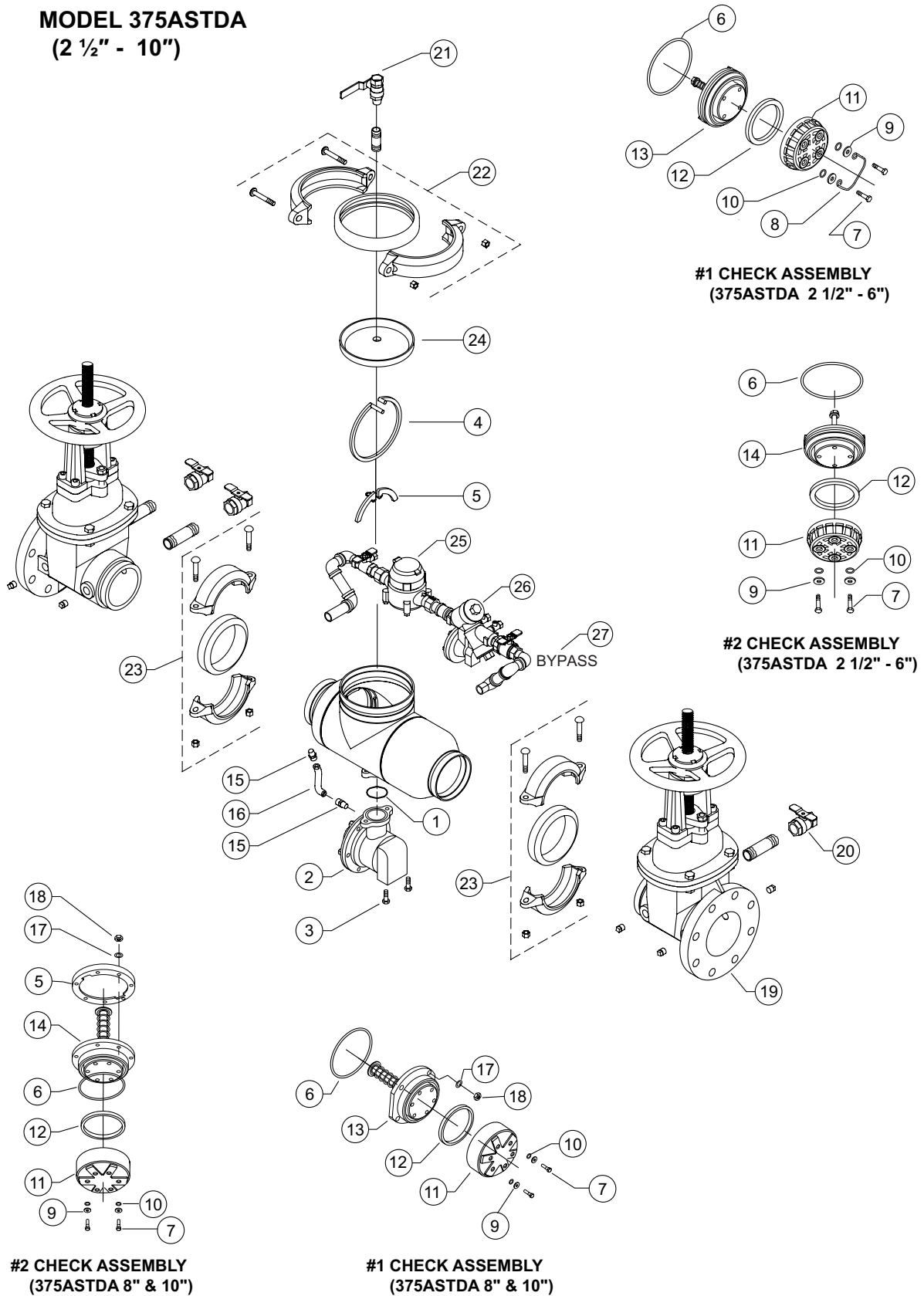
MODEL 375ASTDA

Stainless Steel Reduced Pressure Detector Assembly – Backflow Preventers 2 1/2" to 10"

Parts Drawing



MODEL 375ASTDA (2 1/2" - 10")



#2 CHECK ASSEMBLY
(375ASTDA 8" & 10")

#1 CHECK ASSEMBLY
(375ASTDA 8" & 10")

MODEL 475DA and 475DAV



Reduced Pressure Detector Assembly – Backflow Preventers 4" to 10"

Repair Kit Components		4"						4" and 6"		6"						8" and 10"						4" - 10"			
Size Range		RK4-350	RK4-350DA	RK4-375DAC	RK4-375CK1	RK4-350CK2	BRK4-LBF-SEAT1RTNR	BRK4-LBF-SEAT2RTNR	RK212-RV475-ASSY	RK4-RV475-HOSE	RK6-350	RK6-350DA	RK6-375DAC	RK6-375CK1	RK6-350CK2	BRK6-LBF-SEAT1RTNR	BRK6-LBF-SEAT2RTNR	RK8-350	RK8-350DA	RK8-375DAC	RK8-375CK1	RK8-450DACK2	RK8-RV475-HOSE	RK8-RV475-ASSY	RK4-475-TUBE-ASSY
4"		•	•	•	•	•	•	•	•																•
6"								•	•	•	•	•	•	•	•	•									•
8"																		•	•	•	•	•	•	•	•
10"																		•	•	•	•	•	•	•	•
Item #	Item Description																								
1	Relief Valve Elbow							•																•	
2	O-Ring, Elbow/Relief Valve							•(x2)																•(x2)	
3	Bolt, Elbow/Relief Valve							•(x4)																•(x4)	
4	Seat Retainer #1				•		•(x6)						•		•(x6)						•(x4)	•(x7)			
5	Seat Retainer #2					•		•(x6)						•		•(x6)									
6	O-Ring, Seat Assembly	•(x2)	•(x2)	•(x2)	•	•				•(x2)	•(x2)	•(x2)	•	•			•(x2)	•(x2)	•(x2)	•	•				
7	Bolt, Poppet Retainer				•(x4)	•(x4)							•(x4)	•(x4)							•(x6)	•(x6)			
8	Handle, #1 Poppet Assembly				•								•												
9	Washer, Poppet Retainer				•(x4)	•(x4)							•(x4)	•(x4)							•(x6)	•(x6)			
10	O-Ring, Poppet Retainer	•(x8)	•(x8)	•(x8)	•(x4)	•(x4)				•(x8)	•(x8)	•(x8)	•(x4)	•(x4)			•(x12)	•(x12)	•(x12)	•(x6)	•(x6)				
11	Poppet Retainer				•	•							•	•							•	•			
12	Seal Ring	•(x2)	•(x2)	•(x2)	•	•				•(x2)	•(x2)	•(x2)	•	•			•(x2)	•(x2)	•(x2)	•	•				
13	Seat Assembly #1 Poppet				•								•												
14	Seat Assembly #2 Poppet					•							•										•		
15	Relief Valve Assembly							•																•	
16	Pitot Tube Assembly																							•	
17	Sensing Tube								•														•		
18	Elbow								•														•		
19	Nipple								•														•		
20	Washer, Seat Retainer																				•(x4)	•(x7)			
	Bypass Rubber Repair Kit		•	•														•	•						
	Relief Valve Rubber Repair Kit			•															•						

Whole Goods (Available for individual sale)					
Item #	Item Description	4"	6"	8"	10"
21	Gate Valve, OS&Y (GxG)	4-48OSYG	6-48OSYG	8-48OSYG	10-48OSYG
	Gate Valve, OS&Y (GxF)	4-48OSYGXF	6-48OSYGXF	8-48OSYGXF	10-48OSYGXF
	Gate Valve, Post Indicator (GxG)	4-48PIVG	6-48PIVG	8-48PIVG	10-48PIVG
	Gate Valve, Post Indicator (GxF)	4-48PIVGXF	6-48PIVGXF	8-48PIVGXF	10-48PIVGXF
	Butterfly Valve (GxG)	4-49G	6-49G	8-49G	10-49G
	Butterfly Valve (GxF)	4-49GXF	6-49GXF	8-49GXF	10-49GXF
22	Ball Valve, FxF	12-850XL		34-850XL	
23	Cover Retainer Assembly	6-23	8-23		12-23
24	Bulkhead Fitting Assembly	RK12-BULKHEAD-M		RK34-BULKHEAD-F	
25	Sensing Bulkhead Fitting		RK12-BULKHEAD-F		RK34-BULKHEAD-M
26	Grooved Coupling	4-23	6-23	8-23	10-23
27	Cover	RK4-LBF-VALVE-COVER	RK6-LBF-VALVE-COVER		RK8-LBF-VALVE-COVER
28	Water Meter			557-54XL	
29	Bypass Valve			34-975XLD	
30	Bypass Assembly	RK4-475DA-BP-LM	RK6-475DA-BP-LM		RK8-475DA-BP-LM
	Bypass Rubber Repair Kit			RK34-975XLR	
	Relief Valve Rubber Repair Kit		RK212-375R		RK8-375R

Item No.	Repair Kit Description
4"	
RK4-350	Main Valve Rubber Repair Kit, 4" 475DA and 475DAV
RK4-350DA	Valve and Bypass Rubber Repair Kit, 4" 475DA and 475DAV
RK4-375DAC	Complete Rubber Repair Kit, 4" 475DA and 475DAV
RK4-375CK1	#1 Check Assembly Repair Kit, 4" 475DA and 475DAV
RK4-350CK2	#2 Check Assembly Repair Kit, 4" 475DA and 475DAV
BRK4-LBF-SEAT1RTNR	Bulk #1 Seat Retainer Repair Kit, 4" 475DA and 475DAV
BRK4-LBF-SEAT2RTNR	Bulk #2 Seat Retainer Repair Kit, 4" 475DA and 475DAV

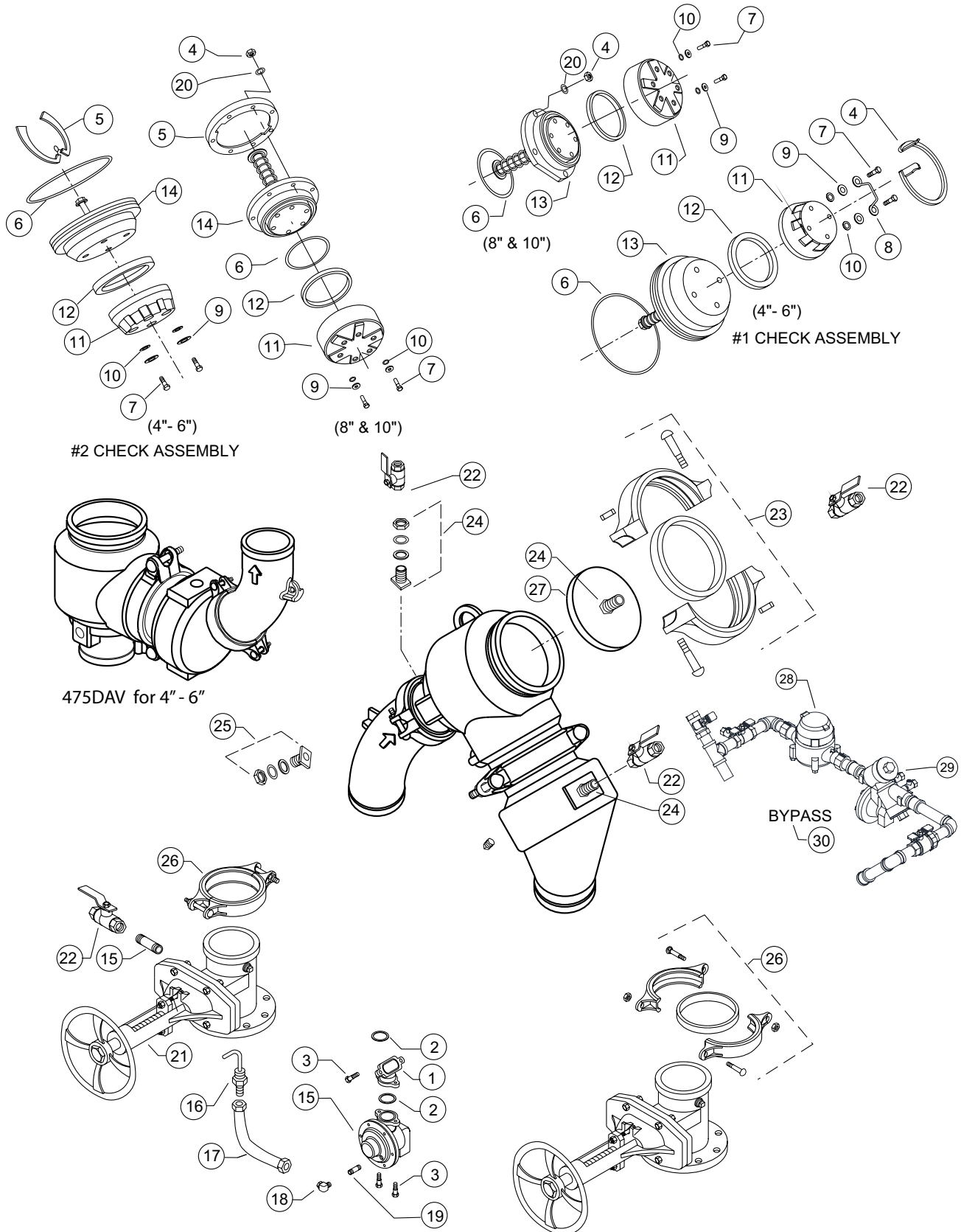
Item No.	Repair Kit Description
4" and 6"	
RK212-RV475-ASSY	Relief Valve Assembly Repair Kit, 4" and 6" 475DA and 475DAV
RK4-RV475-HOSE	Relief Valve Hose Repair Kit, 4" and 6" 475DA and 475DAV
6"	
RK6-350	Rubber Repair Kit, 6" 475DA and 475DAV
RK6-350DA	Valve and Bypass Rubber Repair Kit, 6" 475DA and 475DAV
RK6-375DAC	Complete Rubber Repair Kit, 6" 475DA and 475DAV
RK6-375CK1	#1 Check Assembly Repair Kit, 6" 475DA and 475DAV
RK6-350CK2	#2 Check Assembly Repair Kit, 6" 475DA and 475DAV
BRK6-LBF-SEAT1RTNR	Bulk #1 Seat Retainer Repair Kit, 6" 475DA and 475DAV
BRK6-LBF-SEAT2RTNR	Bulk #2 Seat Retainer Repair Kit, 6" 475DA and 475DAV

Item No.	Repair Kit Description
8" and 10"	
RK8-350	Rubber Repair Kit, 8" and 10" 475DA and 475DAV
RK8-350DA	Valve and Bypass Rubber Repair Kit, 8" and 10" 475DA and 475DAV
RK8-375DAC	Complete Rubber Repair Kit, 8" and 10" 475DA and 475DAV
RK8-375CK1	#1 Check Assembly Repair Kit, 8" and 10" 475DA and 475DAV
RK8-450DACK2	#2 Check Assembly Repair Kit, 8" and 10" 475DA and 475DAV
RK8-RV475-HOSE	Relief Valve Hose Repair Kit, 8" and 10" 475DA and 475DAV
RK8-RV-ASSY	Relief Valve Assembly Repair Kit, 8" and 10" 475DA and 475DAV
4" - 10"	
RK4-475-TUBE-ASSY	Pitot Tube Repair Kit, 4" - 10" 475DA and 475DAV

MODEL 475DA and 475DAV

Reduced Pressure Detector Assembly – Backflow Preventers 4" to 10"

Parts Drawing



MODEL 475STDA and 475STDAV

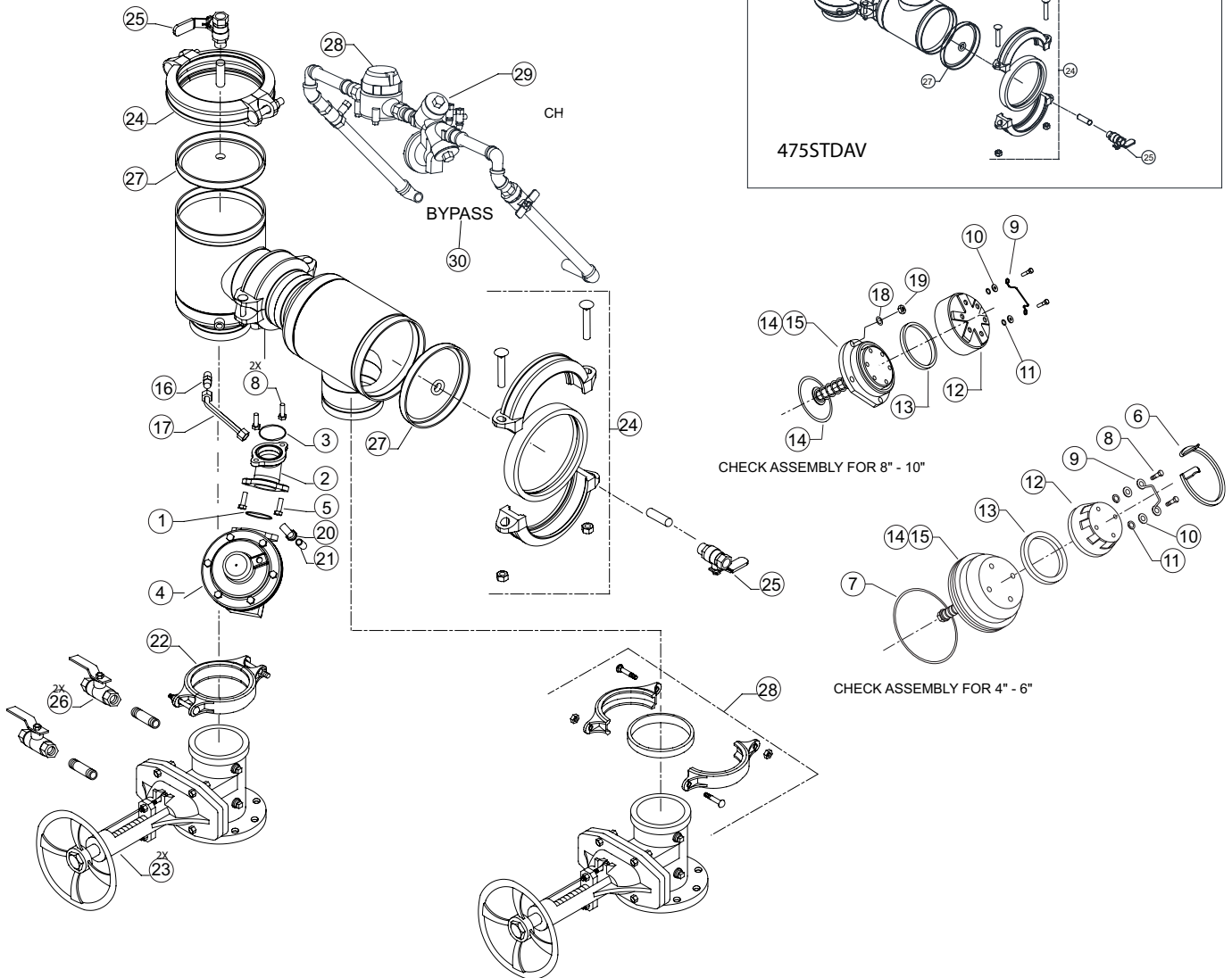
Stainless Steel Reduced Pressure Detector Assembly – Backflow Preventers 4" to 10"

Descriptions and Parts Drawing



Item No.	Repair Kit Description
4"	
RK4-350	Main Valve Rubber Repair Kit, 4" 475STDA and 475STDAV
RK4-350DA	Valve and Bypass Rubber Repair Kit, 4" 475STDA and 475STDAV
RK4-375DAC	Complete Rubber Repair Kit, 4" 475STDA and 475STDAV
RK4-375ASTCK1	#1 Check Assembly Repair Kit, 4" 475STDA and 475STDAV
RK4-450STDACK2	#2 Check Assembly Repair Kit, 4" 475STDA and 475STDAV
RK4-475ST-RVELBOW	Relief Valve Elbow, 475STR to 475ST Conv. Kit, 4" 475STDA and 475STDAV
RK4-475STR-RVELBOW	Relief Valve Elbow, 475ST to 475STR Conv. Kit, 4" 475STDA and 475STDA Relief Valve
BRK4-SSLBF-SEATIRTRNR	Bulk Seat Retainer Repair Kit, 4" 475STDA and 475STDAV
4" and 6"	
RK212-RV-ASSY	Relief Valve Assembly Repair Kit, 4" and 6" 475STDA and 475STDAV
4" and 8"	
RK4-RV475ST-HOSE	Relief Valve Hose Repair Kit, 4" and 8" 475STDA and 475STDAV
6"	
RK6-350	Rubber Repair Kit, 6" 475ST
RK6-350DA	Valve and Bypass Rubber Repair Kit, 6" 475STDA and 475STDAV
RK6-375DAC	Complete Rubber Repair Kit, 6" 475STDA and 475STDAV
RK6-375ASTCK1	#1 Check Assembly Repair Kit, 6" 475ST
RK6-450STDACK2	#2 Check Assembly Repair Kit, 6" 475ST
RK6-475ST-RVELBOW	Relief Valve Elbow, 475STR to 475ST Conv. Kit, 6" 475STDA and 475STDAV
RK6-475STR-RVELBOW	Relief Valve Elbow, 475ST to 475STR Conv. Kit, 6" 475STDA and 475STDA Relief Valve
BRK6-SSLBF-SEATIRTRNR	Bulk Seat Retainer Repair Kit, 6" 475STDA and 475STDAV
6" and 10"	
RK6-RV475ST-HOSE	Relief Valve Hose Repair Kit, 6" and 10" 475ST

Item No.	Repair Kit Description
8"	
RK8-475ST-RVELBOW	Relief Valve Elbow, 475STR to 475ST Conv. Kit, 8" 475STDA and 475STDAV
RK8-475STR-RVELBOW	Relief Valve Elbow, 475ST to 475STR Conv. Kit, 8" 475STDA and 475STDA Relief Valve
8" and 10"	
RK8-350	Rubber Repair Kit, 8" and 10" 475ST
RK8-350DA	Valve and Bypass Rubber Repair Kit, 8" 475STDA and 475STDAV
RK8-375DAC	Complete Rubber Repair Kit, 8" 475STDA and 475STDAV
RK8-475STCK1	#1 Check Assembly Repair Kit, 8" and 10" 475ST
RK8-450STDACK2	#2 Check Assembly Repair Kit, 8" and 10" 475ST
RK8-RV-ASSY	Relief Valve Assy Repair Kit, 8" and 10" 475ST
10"	
RK10-475ST-RVELBOW	Relief Valve Elbow, 475STR to 475ST Conv. Kit, 10" 475STDA and 475STDAV
RK10-475STR-RVELBOW	Relief Valve Elbow, 475ST to 475STR Conv. Kit, 10" 475STDA and 475STDA Relief Valve



MODEL 950DA

Double Check Detector Assembly – 2 1/2" to 10"



Repair Kit, Rubber		2 1/2" - 3"	4"	6"	8"	10"
Includes	Description	RK212-950DA	RK4-950DA	RK6-950DA	RK8-950DA	RK10-950DA
RK34-950XLRPK	950/975, 3/4"	•	•	•	•	•
RK212-950	950/975, 2 1/2" and 3"	•				
RK4-950	950/975, 4"		•			
RK6-940	950/975, 6"			•		
RK8-950	950/975, 8"				•	
RK10-950	950/975, 10"					•

MODEL 975DA



Reduced Pressure Detector Assembly – 2 1/2" to 10"

Repair Kit, Checks		2 1/2" - 3"	4"	6"	8"	10"
Includes	Description	RK212-975DA	RK4-975DA	RK6-975DA	RK8-975DA	RK10-975DA
RK34-950R	950/975, 3/4"	•	•	•	•	•
RK212-950	950/975, 2 1/2" and 3"	•				
RK4-950	950/975, 4"		•			
RK6-940	950/975, 6"			•		
RK8-950	950/975, 8"				•	
RK10-950	950/975, 10"					•

Repair Kit, Checks and Relief		2 1/2" - 3"	4"	6"	8"	10"
Includes	Description	RK212-975DAC	RK4-975DAC	RK6-975DAC	RK8-975DAC	RK10-975DAC
RK34-975R	975, 3/4"	•	•	•	•	•
RK212-950	950/975, 2 1/2" and 3"	•				
RK212-975R	975, 2 1/2" - 6", Rubber	•	•	•		
RK4-950	950/975, 4"		•			
RK6-940	950/975, 6"			•		
RK8-950	950/975, 8"				•	
RK8-975R	975, 8" - 10", Rubber				•	•
RK10-950	950/975, 10"					•

MODEL 350XL and 350

Double Check – Backflow Preventers 3/4" and 1"



Repair Kit Components		3/4"							1"						
Item #	Item Description	RK34-350	RK34-350R	RK34-350V	RK34-350BOF	RK34-350FLUSH	RK34-BVHDXL	RK34-BVHD	RK1-350	RK1-350R	RK1-350V	RK1-350BOF	RK1-350FLUSH	RK1-BVHDXL	RK1-BVHD
1	Pressure Vessel			●							●				
2	#1 Seat	●		●					●		●				
3	#2 Seat	●		●					●		●				
4	O-Ring #1 Seat	●	●	●					●	●	●				
5	O-Ring #2 Seat	●	●	●					●	●	●				
6	Poppet	● (x2)	● (x2)	● (x2)					● (x2)	● (x2)	● (x2)				
7	Spring	● (x2)		● (x2)					● (x2)		● (x2)				
8	Sleeve	● (x2)		● (x2)					● (x2)		● (x2)				
9	O-Ring, Housing Inlet	●	●	●					●	●	●	●			
10	O-Ring, Housing Outlet	●	●	●					●	●	●	●			
11	Pressure Vessels Screws			● (x4)							● (x4)				
12	Test Cocks			● (x2)							● (x2)				
13	Test Cock Cap Plug			● (x2)							● (x2)				
14	Blue Ball Valve Handle and Nut							● (x2)							● (x2)
	Green Ball Valve Handle and Nut						● (x2)							● (x2)	
15	Blow-Out/Flush Housing				●	●						●	●		
	O-Ring, Blow-Out Inlet				●	●						●	●		
	O-Ring, Blow-Out Outlet				●	●						●	●		
	Flush Hose Assembly					●							●		

Whole Goods (Available for individual sale)		
Item #	Item Description	3/4" 1"
12	Test Cock	RK18-860XL
16	Ball Valve, Tapped 350XL	34-850TXL
	Ball Valve, Tapped 350	34-850T
17	Ball Valve, 350XL	34-850XL
	Ball Valve, 350	34-850

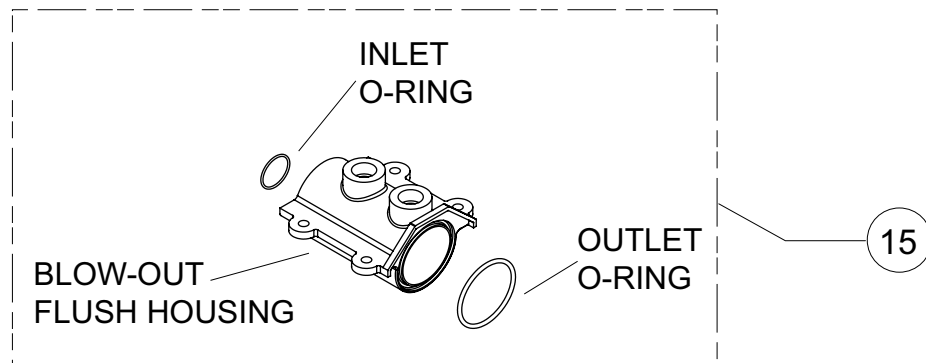
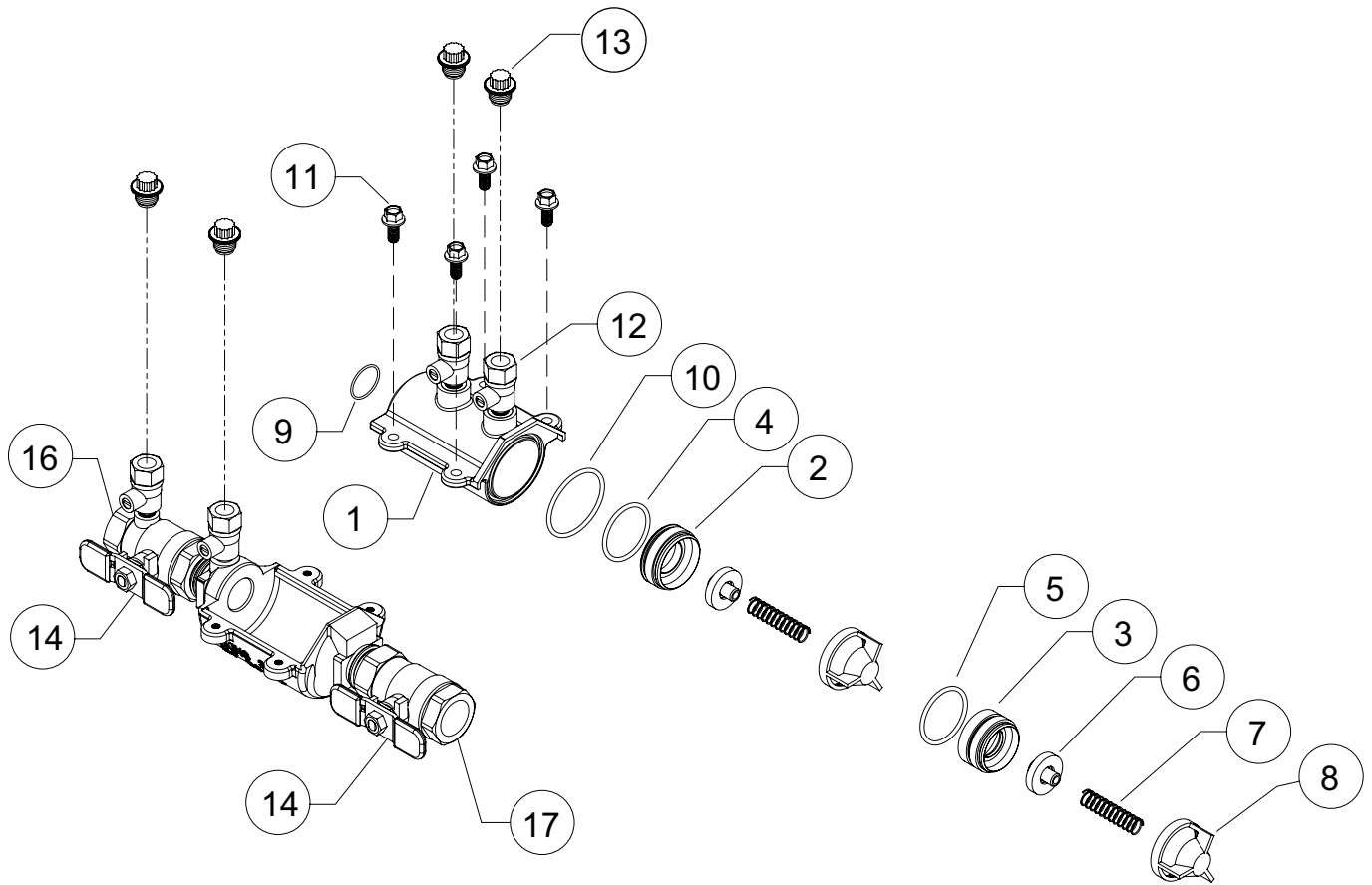
Item No.	Repair Kit Description
3/4"	
RK34-350	Complete Internals Repair Kit, 3/4" 350XL and 350
RK34-350R	Rubber Repair Kit, 3/4" 350XL and 350
RK34-350V	Complete Pressure Vessel Repair Kit, 3/4" 350XL and 350
RK34-350BOF	Blow-Out/Flush Fitting Repair Kit, 3/4" 350XL and 350
RK34-350FLUSH	Flush Kit, 3/4" 350XL and 350
RK34-BVHDXL	Green Ball Valve Handle Repair Kit, 3/4"
RK34-BVHD	Blue Ball Valve Handle Repair Kit, 3/4"

Item No.	Repair Kit Description
1"	
RK1-350	Complete Internals Repair Kit, 1" 350XL and 350
RK1-350R	Rubber Repair Kit, 1" 350XL and 350
RK1-350V	Complete Pressure Vessel Repair Kit, 1" 350XL and 350
RK1-350BOF	Blow-Out/Flush Fitting Repair Kit, 1" 350XL and 350
RK1-350FLUSH	Flush Kit, 1" 350XL and 350
RK1-BVHDXL	Green Ball Valve Handle Repair Kit, 1"
RK1-BVHD	Blue Ball Valve Handle Repair Kit, 1"

MODEL 350XL and 350

Double Check – Backflow Preventers 3/4" and 1"

Parts Drawing



RK34-350BOF
RK1-350BOF

MODEL 350XL and 350

Double Check – Backflow Preventers 1 1/4" to 2"



Repair Kit Components		1 1/4"		1 1/2"		2"		1 1/4" - 2"				
Item #	Item Description	RK114-375XLBVHD	RK114-375BVHD	RK112-375XLBVHD	RK112-375BVHD	RK2-375XLBVHD	RK2-375BVHD	RK114-350	RK114-350R	RK114-350V	RK114-350-375BOF	RK114-350-375FLUSH
1	Pressure Vessel									●		
2	O-Ring, Ball Valve							●(x2)	●(x2)	●(x2)	●(x2)	●(x2)
3	Sleeve									●		
4	O-Ring, Sleeve/#1 Seat							●(x2)	●(x2)	●(x2)	●	●
5	Bolt, Sleeve									●(x4)		
6	Test Cocks									●(x3)		
7	Seat #1							●		●		
8	Spring Retainer #1							●		●		
9	Bolt, Seat							●(x2)		●(x2)		
10	Seal Retainer							●(x2)		●(x2)		
11	Seal Washer							●(x2)	●(x2)	●(x2)		
12	Poppet							●(x2)		●(x2)		
13	O-Ring, #2 Seat							●	●	●		
14	Seat #2							●		●		
15	Spring							●(x2)		●(x2)		
16	Spring Retainer #2							●		●		
17	Green Ball Valve Handle and Nut	●(x2)		●(x2)		●(x2)						
	Blue Ball Valve Handle and Nut		●(x2)		●(x2)		●(x2)					
18	Housing, Blow-Out/Flush										●	●
	Flush Hose Assembly											●
19	Test Cock Cap Plug									●(x3)		

Whole Goods (Available for individual sale)

Item #	Item Description	1 1/4"	1 1/2"	2"
6	Test Cock		RK14-860XL	
20	Inlet Ball Valve, 350XL	RK114-375XLBV1	RK112-375XLBV1	RK2-375XLBV1
	Inlet Ball Valve, 350	RK114-375BV1	RK112-375BV1	RK2-375BV1
21	Outlet Ball Valve, 350XL	RK114-375XLBV2	RK112-375XLBV2	RK2-375XLBV2
	Outlet Ball Valve, 350	RK114-375BV2	RK112-375BV2	RK2-375BV2

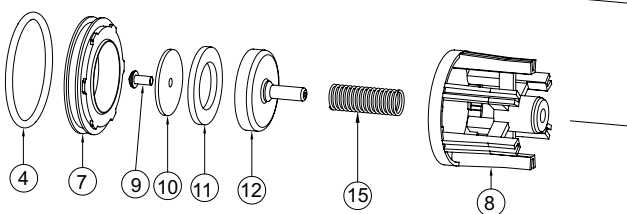
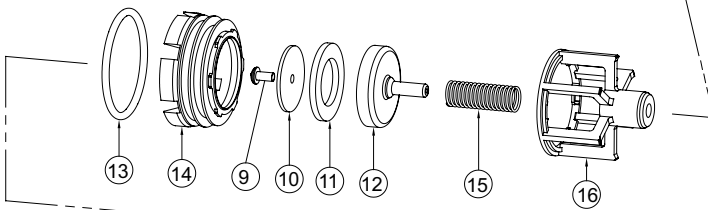
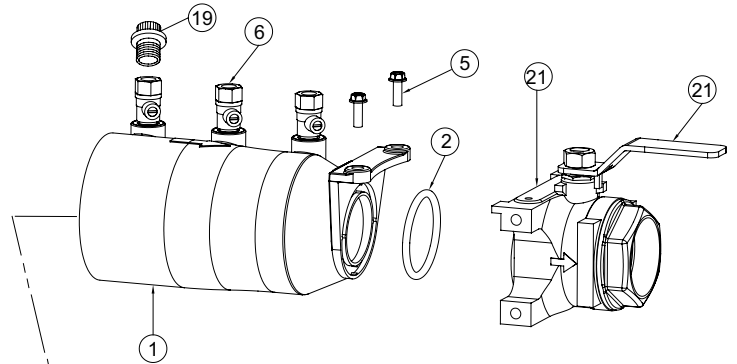
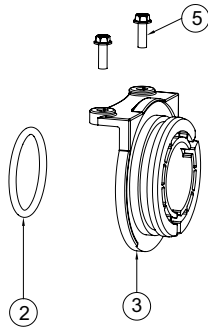
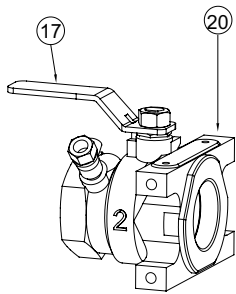
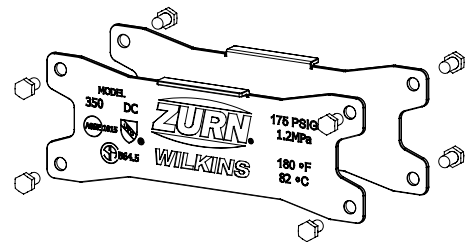
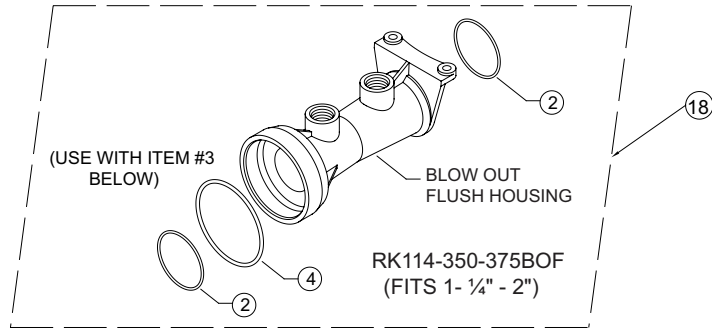
Item No.	Repair Kit Description
1 1/4"	
RK114-375XLBVHD	Green Ball Valve Handle Repair Kit, 1 1/4" 350XL
RK114-375BVHD	Blue Ball Valve Handle Repair Kit, 1 1/4" 350
1 1/2"	
RK112-375XLBVHD	Green Ball Valve Handle Repair Kit, 1 1/2" 350XL
RK112-375BVHD	Blue Ball Valve Handle Repair Kit, 1 1/2" 350

Item No.	Repair Kit Description
2"	
RK2-375XLBVHD	Green Ball Valve Handle Repair Kit, 2" 350XL
RK2-375BVHD	Blue Ball Valve Handle Repair Kit, 2" 350
1 1/4" - 2"	
RK114-350	Check Repair Kit, 1 1/4" - 2" 350XL and 350
RK114-350R	Rubber Repair Kit, 1 1/4" - 2" 350XL and 350
RK114-350V	Complete Pressure Vessel Repair Kit, 1 1/4" - 2" 350XL and 350
RK114-350BOF	Blow-Out Fitting Repair Kit, 1 1/4" - 2" 350XL and 350
RK114-350FLUSH	Flush Kit, 1 1/4" - 2" 350XL and 350

MODEL 350XL and 350

Double Check – Backflow Preventers 1 ¼" to 2"

Parts Drawing



MODEL 950

Double Check – Backflow Preventers 2 1/2" to 10"

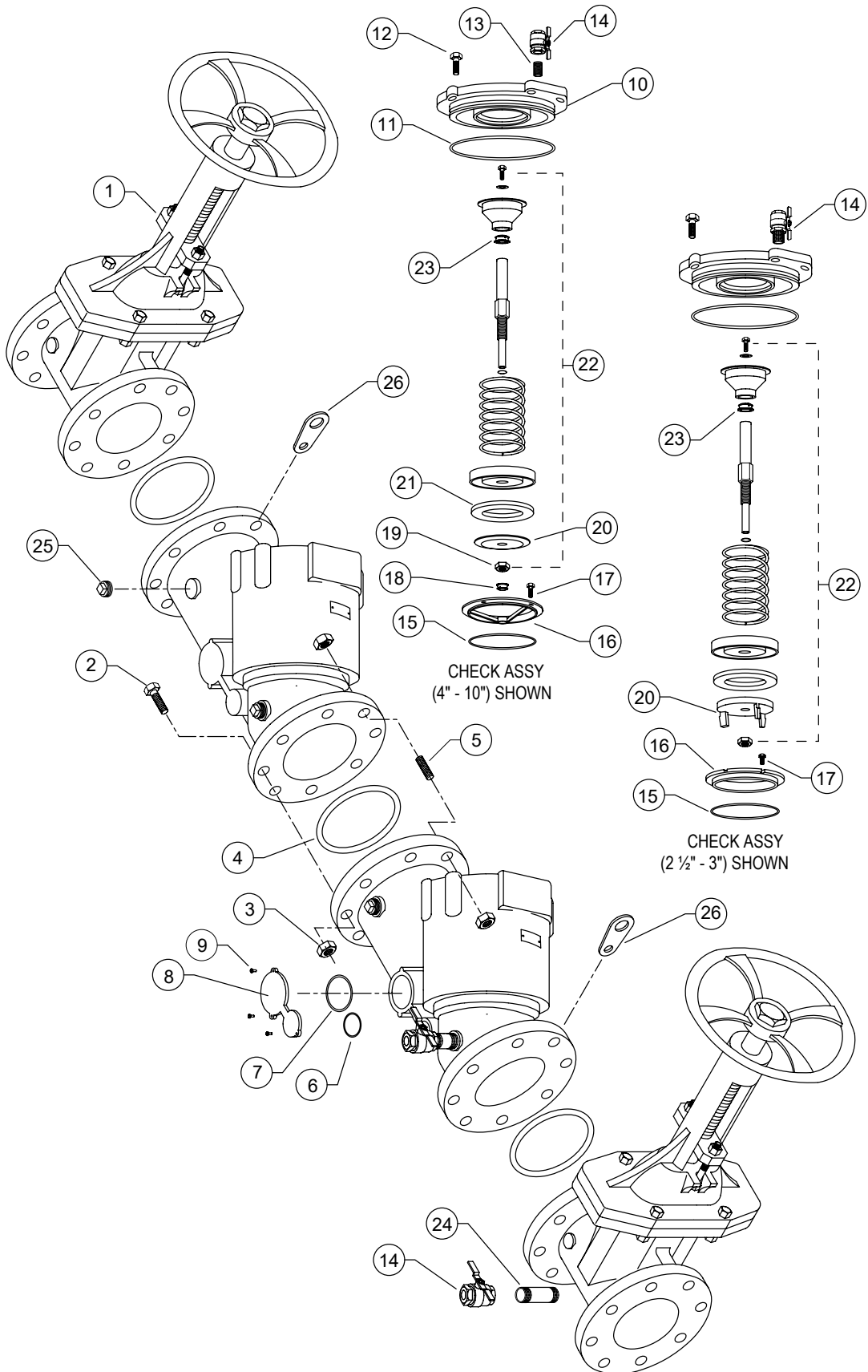


Repair Kit Components		2 1/2" and 3"	4"	6"	8"	10"
Item #	Item Description	RK212-950	RK4-950	RK6-950	RK8-950	RK10-950
1	Gate Valve, NRS					
	Gate Valve, OS&Y					
2	Bolt, Flange					
3	Nut, Flange					
4	Gasket, Flange					
5	Stud, Flange					
6	O-Ring, Small					
7	O-Ring, Large					
8	Cover Plate					
9	Bolt, Cover Plate					
10	Cover					
11	O-Ring, Cover	● (x2)	● (x2)	● (x2)	● (x2)	● (x2)
12	Bolt, Cover					
13	Nipple, Short					
14	Ball Valve, Male					
	Ball Valve, Female					
15	O-Ring, Seat					
16	Seat					
17	Bolt, Seat					
18	Lower Stem Guide					
19	Nut, Stem					
20	Retaining Plate					
21	Seal Ring	● (x2)	● (x2)	● (x2)	● (x2)	● (x2)
22	Poppet Assembly					
23	Upper Stem Guide					
24	Nipple, Long					
25	Plug					
26	Lifting Lug					

MODEL 950

Double Check – Backflow Preventers 2 1/2" to 10"

Parts Drawing



MODEL 950XL



Double Check – Backflow Preventers 3/4" to 2"

Repair Kit Components		3/4" and 1"					1 1/4" - 2"				
Item #	Item Description	RK34-950XL	RK34-950XLC	RK34-950XLR	RK34-950XLSK	RK34-CKCOVER	RK114-950XL	RK114-950XLC	RK114-950XLR	RK114-950XLSK	RK114-CK-COVER
1	Check Cover					● (x2)					● (x2)
2	O-Ring, Cover	● (x2)	● (x2)	● (x2)	● (x2)	● (x2)	● (x2)	● (x2)	● (x2)	● (x2)	● (x2)
3	Check Spring	● (x2)	● (x2)				● (x2)	● (x2)			
4	Poppet		● (x2)					● (x2)			
5	Seal Ring	● (x2)	● (x2)	● (x2)			● (x2)	● (x2)	● (x2)		
6	Seal Ring Retainer		● (x2)					● (x2)			
7	Retaining Bolt		● (x2)					● (x2)			
8	Check Seat		● (x2)		● (x2)			● (x2)		● (x2)	
9	O-Ring, Check Seat		● (x2)					● (x2)			

Whole Goods (Available for individual sale)

Item #	Item Description	3/4"	1"	1 1/4"	1 1/2"	2"
10	Test Cock	RK18-860XL		RK14-860XL		
11	Ball Valve, Tapped	34-850T	1-850T	114-850T	112-850T	2-850T
12	Ball Valve	34-850	1-850	114-850	112-850	2-850
	Check Seat Tool (x6)	BRK34-SEATTOOL			BRK114-SEATTOOL	

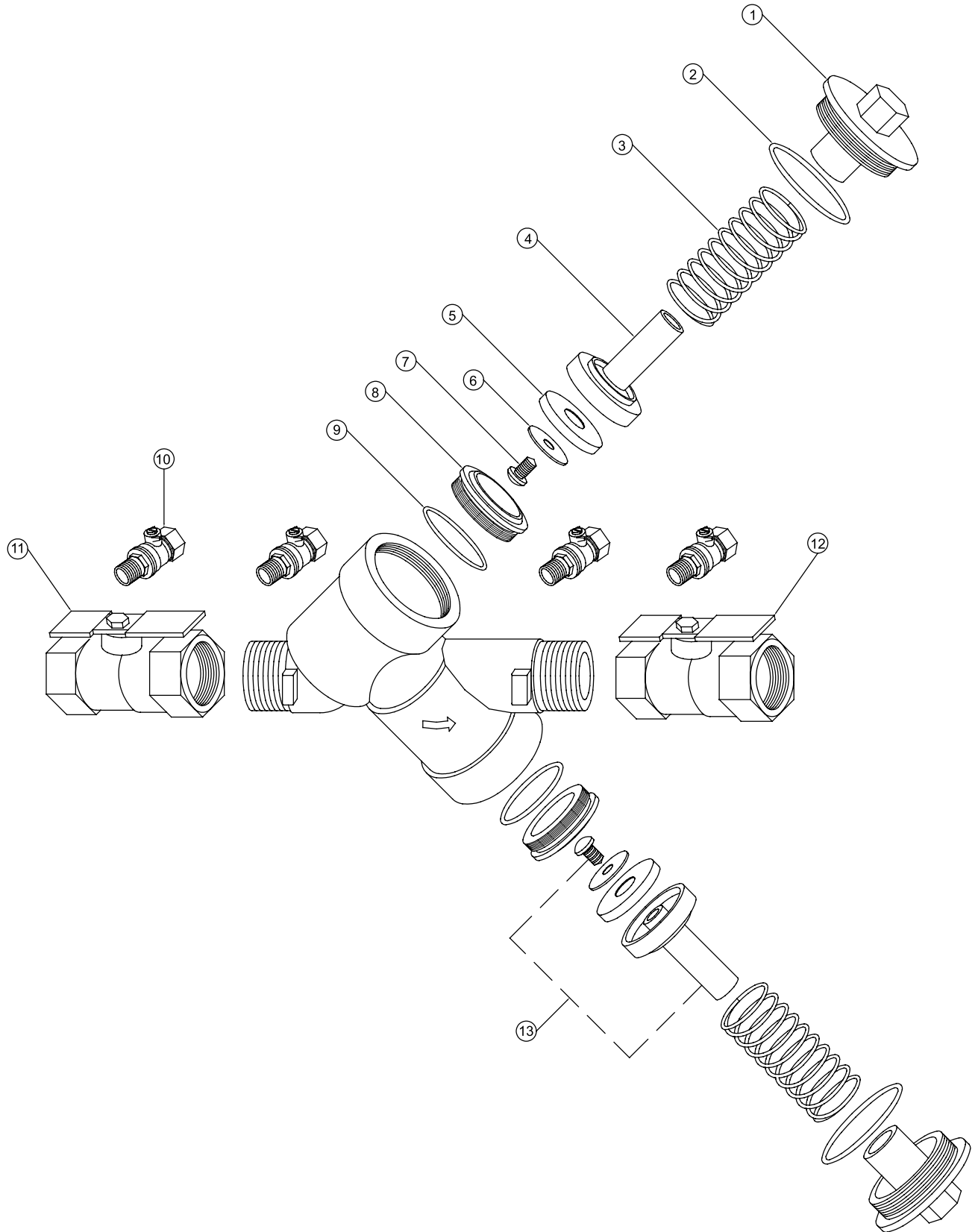
Item No.	Repair Kit Description
3/4" and 1"	
RK34-950XL	Standard Repair Kit, 3/4" and 1" 950XL
RK34-950XLC	Complete Repair Kit, 3/4" and 1" 950XL
RK34-950XLR	Rubber Repair Kit, 3/4" and 1" 950XL
RK34-950XLSK	Repair Kit, W/Seats 3/4" and 1" 950XL
RK34-CK-COVER	Repair Kit, Check Cover 3/4" and 1" 950XL

Item No.	Repair Kit Description
1 1/4" - 2"	
RK114-950XL	Standard Repair Kit, 1 1/4" and 2" 950XL
RK114-950XLC	Complete Repair Kit, 1 1/4" and 2" 950XL
RK114-950XLR	Rubber Repair Kit, 1 1/4" and 2" 950XL
RK114-950XLSK	Repair Kit, W/Seats 1 1/4" and 2" 950XL
RK114-CK-COVER	Repair Kit, Check Cover 1 1/4" and 2" 950XL

MODEL 950XL

Double Check – Backflow Preventers 3/4" to 2"

Parts Drawing



MODEL 950XLT2, 950XLT, 950XLTDA



Double Check – Backflow Preventers 3/4" to 2"

Repair Kit Components		3/4" and 1"					1 1/4" - 2"					2"
Item #	Item Description	RK34-950XL	RK34-950XLT	RK34-950XLR	RK34-950XLTSK	RK34-CK-COVER	RK114-950XL	RK114-950XLT	RK114-950XLR	RK114-950XLTSK	RK114-CK-COVER	RK2-950XLTDA
1	Check Cover					● (x2)					● (x2)	
2	O-Ring, Cover	● (x2)	● (x2)	● (x2)		● (x2)	● (x2)	● (x2)	● (x2)		● (x2)	● (x2)
3	Check Spring	● (x2)	● (x2)				● (x2)	● (x2)				● (x2)
4	Poppet		● (x2)					● (x2)				
5	Seal Ring	● (x2)	● (x2)	● (x2)			● (x2)	● (x2)	● (x2)			● (x2)
6	Seal Ring Retainer		● (x2)					● (x2)				
7	Retaining Bolt		● (x2)					● (x2)				
8	Check Seat		● (x2)		● (x2)			● (x2)		● (x2)		
9	O-Ring, Check Seat		● (x2)		● (x2)			● (x2)		● (x2)		

Whole Goods (Available for individual sale)						
Item #	Item Description	3/4"	1"	1 1/4"	1 1/2"	2"
10	Ball Valve, Tapped 950XLT2	34-850TXL	1-850TXL	114-850TXL	112-850TXL	2-850TXL
	Ball Valve, Tapped 950XLT	34-850T	1-850T	114-850T	112-850T	2-850T
11	Ball Valve, 950XLT2	34-850XL	1-850XL	114-850XL	112-850XL	2-850XL
	Ball Valve, 950XLT	34-850	1-850	114-850	112-850	2-850
12	Butterfly Valve, Tapped*	N/A		114-49BRXLSST	112-49BRXLSST	2-49BRXLSST
13	Butterfly Valve*			114-49BRXLSS	112-49BRXLSS	
14	Gate Valve			114-48OSY	112-48OSY	2-48OSY
15	Test Cock	RK18-860XL		RK14-860XL		
16	Test Cock Cap Plug	2-7P				
17	Water Meter 5/8"	557-54XL				
	Check Seat Tool (x6)	BRK34-SEATTOOL		BRK114-SEATTOOL		

*Integral Supervisory Switch Option Available

Model 350D Bypass		
Item #	Kit #	Item Description
18	RK34-350D	Complete Bypass Repair Kit, 3/4" 350D
	RK34-350DV	Vessel Repair Kit, 3/4" 350D

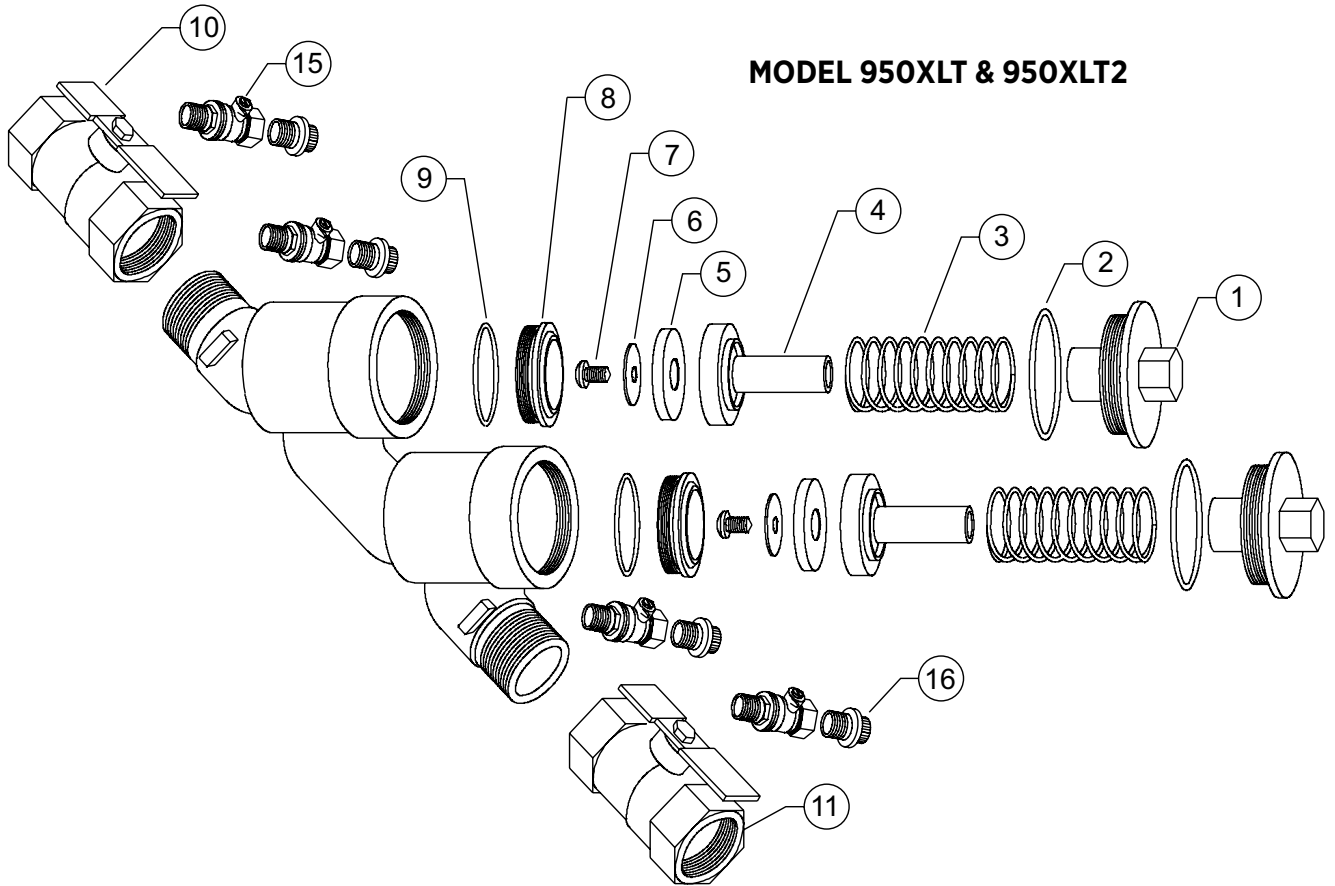
Item No.	Repair Kit Description
3/4" and 1"	
RK34-950XL	Rubber and Spring Repair Kit, 3/4" and 1" 950XLT2 and 950XLT
RK34-950XLT	Complete Repair Kit, 3/4" and 1" 950XLT2 and 950XLT
RK34-950XLR	Rubber Repair Kit, 3/4" and 1" 950XLT2 and 950XLT
RK34-950XLTSK	Seat Repair Kit, 3/4" and 1" 950XLT2 and 950XLT
RK34-CK-COVER	Repair Kit, Check Cover 3/4" and 1" 950XLT2 and 950XLT
BRK34-SEATTOOL	Seat Removal Tool Bulk Repair Kit, 3/4" and 1" 950XLT2 and 950XLT

Item No.	Repair Kit Description
1 1/4" - 2"	
RK114-950XL	Rubber and Spring Repair Kit, 1 1/4" - 2" 950XLT2, 950XLT, and 2" 950XLTDA
RK114-950XLT	Complete Repair Kit, 1 1/4" - 2" 950XLT2, 950XLT, and 2" 950XLTDA
RK114-950XLR	Rubber Repair Kit, 1 1/4" - 2" 950XLT2, 950XLT, and 2" 950XLTDA
RK114-950XLTSK	Seat Repair Kit, 1 1/4" - 2" 950XLT2, 950XLT, and 2" 950XLTDA
RK114-CK-COVER	Repair Kit, Check Cover 1 1/4" - 2" 950XLT2, 950XLT, and 2" 950XLTDA
RK2-950XLTDA	Spring Repair Kit, 2" 950XLTDA
BRK114-SEATTOOL	Seat Removal Tool Bulk Repair Kit, 1 1/4" - 2" 950XLT2, 950XLT and 2" 950XLTDA

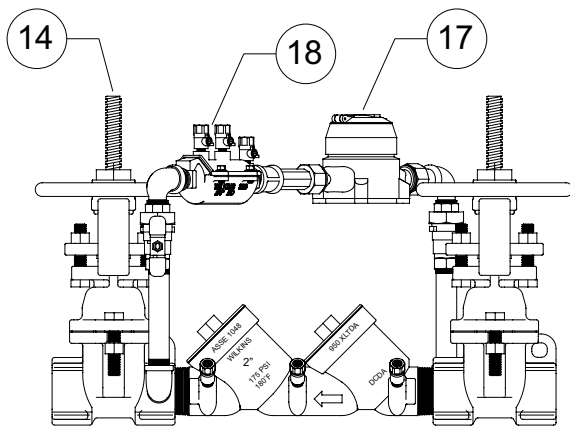
MODEL 950XLT2, 950XLT, 950XLTD

Double Check – Backflow Preventers 3/4" to 2"

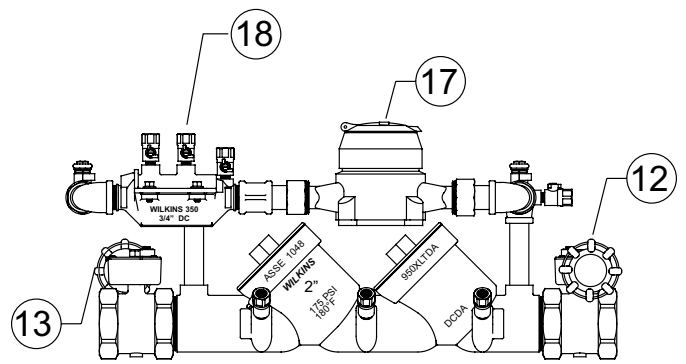
Parts Drawing



MODEL 950XLT & 950XLT2



MODEL 950XLTD



MODEL 950XLTDABFSS

MODEL 950XL3



Double Check – Backflow Preventers 3/4" to 2"

Repair Kit Components		3/4"		3/4 - 1"	1"		1 1/4 - 1 1/2"		1 1/4 - 2"	2"	
Item #	Item Description	RK34-950XL3	RK34-950XL3R	RK18-860XLFT	RK1-950XL3	RK1-950XL3R	RK114-950XL3	RK114-950XL3R	RK14-860XL	RK2-950XL3	RK2-950XL3R
1	Check Assembly	●			●		●			●	
2	O-Ring, Cover	●	●		●	●	●	●		●	●
3	#1 Seat O-ring		●			●		●			●
4	#2 Seat O-ring		●			●		●			●
5	Check Seal		● (x2)			● (x2)		● (x2)			● (x2)
6	Fast-Test Test Cocks			● (x4)							
7	Caps			● (x4)							
8	Test Cocks								● (x4)		

Whole Goods (Available for individual sale)

Item #	Item Description	3/4"	1"	1 1/4"	1 1/2"	2"
9	Ball Valve, Tapped	34-850TXL	1-850TXL	114-850TXL	112-850TXL	2-850TXL
9	Union Ball Valve, Tapped	34-850TUXL	1-850TUXL	114-850TUXL	112-850TUXL	2-850TUXL
10	Ball Valve	34-850XL	1-850XL	114-850XL	112-850XL	2-850XL
10	Union Ball Valve	34-850UXL	1-850UXL	114-850UXL	112-850UXL	2-850UXL

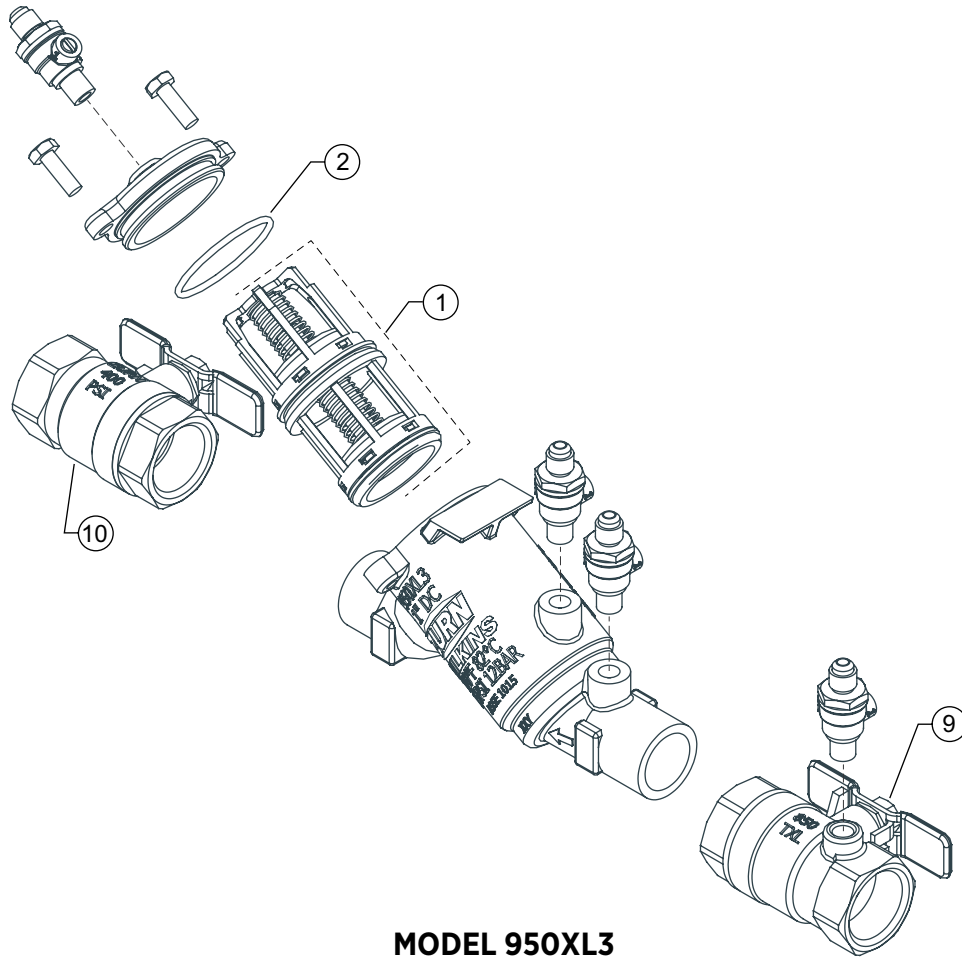
Item No.	Repair Kit Description
3/4" and 1"	
RK34-950XL3	Standard Repair Kit, 3/4" 950XL3, Complete
RK34-950XL3R	Rubber Repair Kit, 3/4" 950XL3, Seal Rings and O-Rings
RK1-950XL3	Standard Repair Kit, 1" 950XL3, Complete
RK1-950XL3R	Rubber Repair Kit, 1" 950XL3, Seal Rings and O-Rings
RK18-860XLFT	1/8" Fast-Test Test Cocks, Caps, 4PER, Lead-Free

Item No.	Repair Kit Description
1 1/4" - 2"	
RK114-950XL3	Standard Repair Kit, 1 1/4" - 1 1/2" 950XL3, Complete
RK114-950XL3R	Rubber Repair Kit, 1 1/4" - 1 1/2" 950XL3, Seal Rings and O-rings
RK2-950XL3	Rubber Repair Kit, 2" 950XL3, Complete
RK2-950XL3R	Rubber Repair Kit, 2" 950XL3, Seal Rings and O-rings
RK14-860XL	1/4" Test Cocks, 4PER, Lead-Free

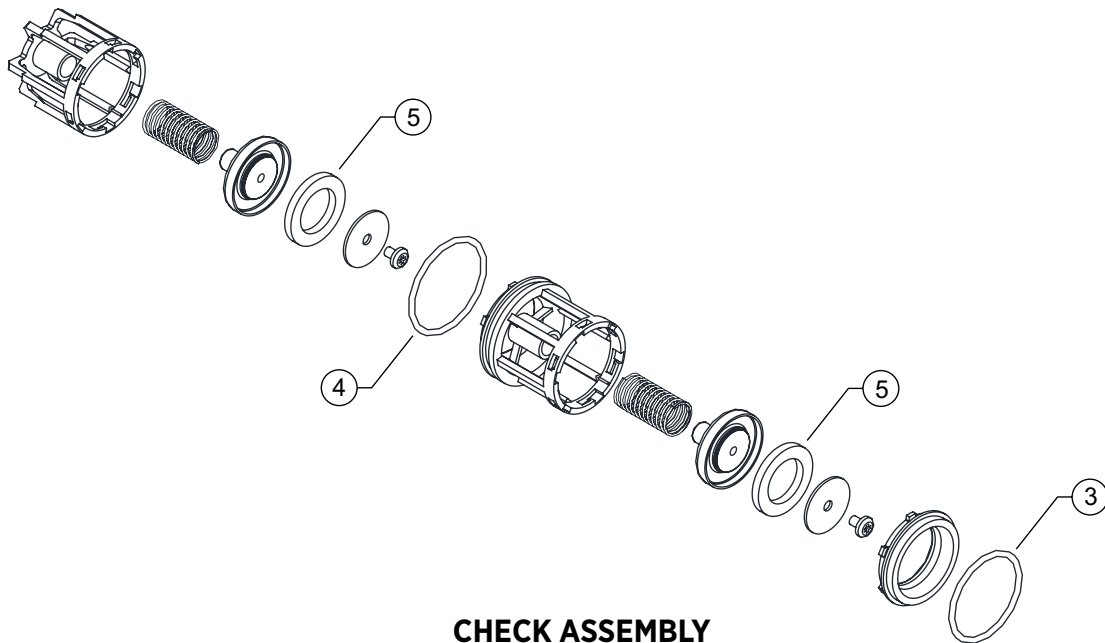
MODEL 950XL3

Double Check – Backflow Preventers 3/4" to 2"

Parts Drawing



MODEL 950XL3



CHECK ASSEMBLY

MODEL 350 and 450

Double Check – Backflow Preventers 2 1/2" and 3"



Repair Kit Components		2 1/2"	2 1/2" and 3"						3"
Item #	Item Description	212-BK	RK212-350	RK212-350CK1	RK212-350CK2	RK212-350-COVERPLATE	BRK212-300-SEAT1-RTNR	BRK212-300-SEAT2-RTNR	3-BK
1	Bolt, Flange	● (x8)							● (x8)
2	Nut, Flange	● (x8)							● (x8)
3	Gasket, Flange	● (x2)							● (x2)
4	O-Ring, Cover Plate					●			
5	Cover Plate					●			
6	Bolt, Cover Plate					● (x2)			
7	Seat Retainer #1			●			● (x6)		
8	Seat Retainer #2				●			● (x6)	
9	O-Ring, Seat		● (x2)	●	●				
10	Nut, Poppet Retainer			●	●				
11	Washer, #1 Check			●					
12	Washer, #2 Check				●				
13	O-Ring, Stem		● (x2)	●	●				
14	Poppet Retainer			●	●				
15	Seal Ring		● (x2)	●	●				
16	Seat Assembly, #1 Poppet			●					
17	Seat Assembly, #2 Poppet				●				

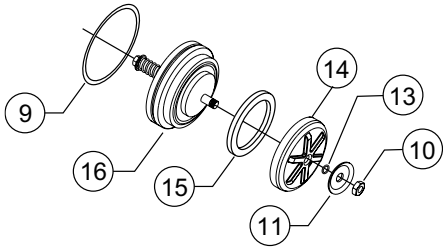
Whole Goods (Available for individual sale)			
Item #	Item Description	2 1/2"	3"
18	Gate Valve, NRS (FxF)	212-48	3-48
	Gate Valve, NRS (GxF)	212-48GXF	3-48GXF
	Gate Valve, OS&Y (FxF)	212-48OSY	3-48OSY
	Gate Valve, OS&Y (GxF)	212-48OSYGXF	3-48OSYGXF
	Butterfly Valve (GxF)	212-49GXF	3-49GXF
19	Ball Valve, FxF	12-850XL	
20	Ball Valve, MxF	12-850MXL	
21	Cover Retainer Assembly	5-23	
22	Bulkhead Fittings	RK12-BULKHEAD-M	
23	Sensing Line Bulkhead Fittings	RK12-BULKHEAD-F	
24	Cover	RK212-LBF-VLV-COVER	

Item No.	Repair Kit Description
2 1/2"	
212-BK	Flanged Kit, 2 1/2"
2 1/2" and 3"	
RK212-350	Rubber Repair Kit, 2 1/2" and 3" 350 and 450
RK212-350CK1	First Check Assembly Repair Kit, 2 1/2" and 3" 350 and 450
RK212-350CK2	Second Check Assembly Repair Kit, 2 1/2" and 3" 350 and 450
RK212-350-COVERPLATE	Cover Plate Repair Kit, 2 1/2" and 3" 350 and 450
BRK212-300-SEAT1-RTNR	#1 Check Seat Retainer Bulk Kit, 2 1/2" and 3" 350 and 450
BRK212-300-SEAT2-RTNR	#2 Check Seat Retainer Bulk Kit, 2 1/2" and 3" 350 and 450
3"	
3-BK	Flanged Kit, 3"

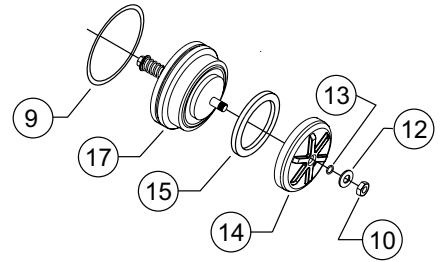
MODEL 350 and 450

Double Check – Backflow Preventers 2 1/2" and 3"

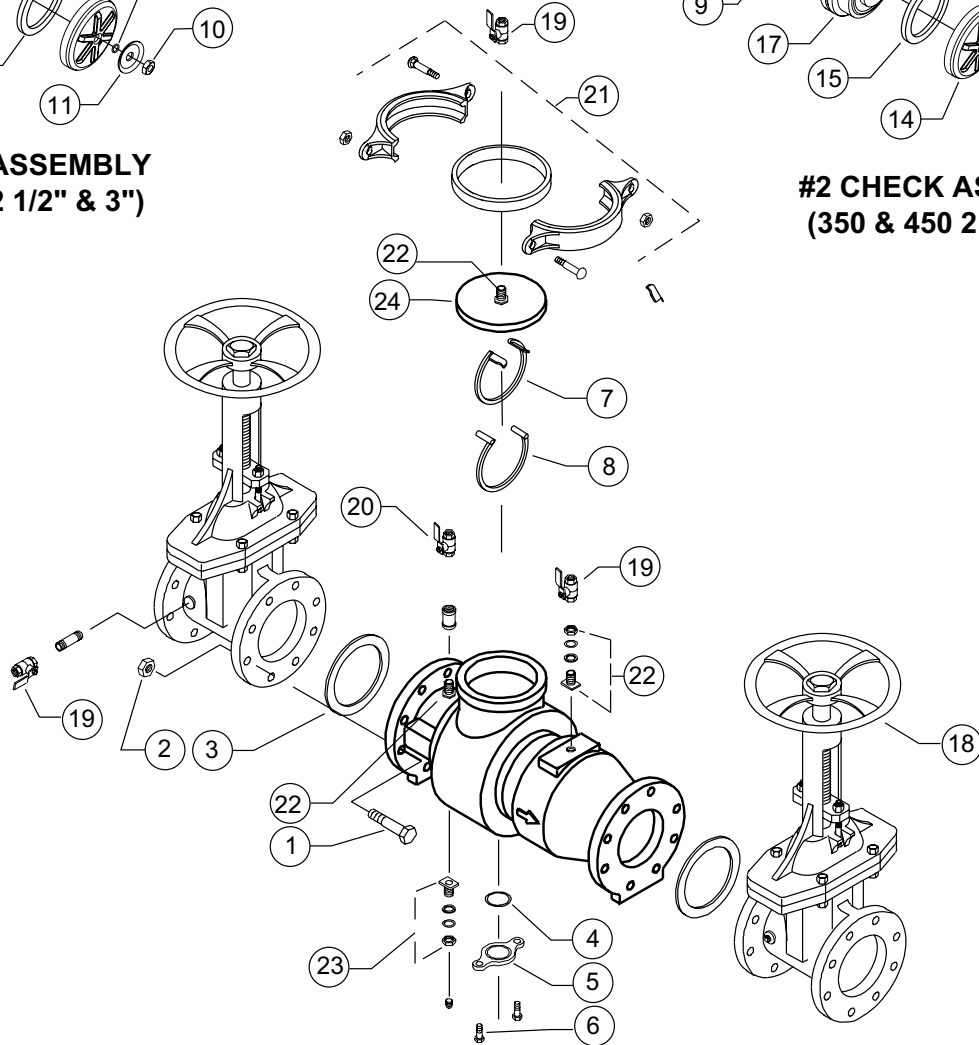
Parts Drawing



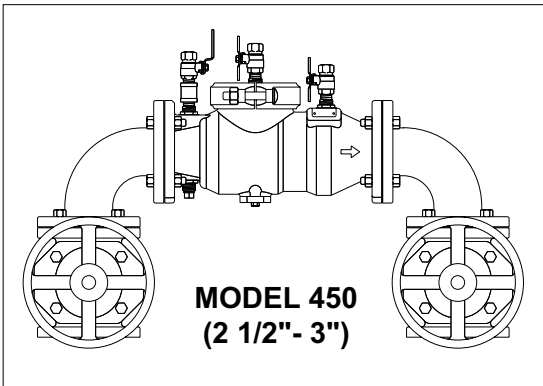
#1 CHECK ASSEMBLY
(350 & 450 2 1/2" & 3")



#2 CHECK ASSEMBLY
(350 & 450 2 1/2" & 3")



MODEL 350
(2 1/2" - 3")



MODEL 450
(2 1/2" - 3")

MODEL 350A and 350



Double Check – Backflow Preventers 350A (2 1/2" to 10") and 350 (4" to 12")

Repair Kit Components		2 1/2" - 4"						4"		6"				8"		8" - 12"			10"	12"	
Size Range	RK212-350-COVERPLATE	RK4-350	RK4-350CK1	RK4-350CK2	RK4-LBF-SEAL-RTNR	BRK4-LBF-SEATRTNR	BRK4-LBF-SEAT2RTNR	4-BK	RK6-350	RK6-350CK1	RK6-350CK2	BRK6-LBF-SEATRTNR	BRK6-LBF-SEAT2RTNR	6-BK	8-BK	RK8-350	RK8-350CK1	RK8-350CK2	RK8-350-COVERPLATE	10-BK	12-BK
2 1/2"	•	•	•	•	•	•	•														
3"	•	•	•	•	•	•	•														
4"	•	•	•	•	•	•	•	•													
6"									•	•	•	•	•								
8"														•	•	•	•	•	•		
10"															•	•	•	•	•	•	
12"															•	•	•	•	•		•

Item #	Item Description	2 1/2"	3"	4"	6"	8"	10"	12"
1	Bolt, Flange				•(x16)			•(x24) •(x24)
2	Nut, Flange				•(x16)			•(x24) •(x24)
3	Gasket, Flange				•(x2)			•(x2) •(x2)
4	O-Ring, Cover Plate	•						•
5	Cover Plate	•						•
6	Bolt, Cover Plate	•(x2)						•(x2)
7	Seat Retainer #1		•		•(x6)			•(x4) •(x7)
8	Seat Retainer #2		•		•(x12)			•(x2)
9	O-Ring, Check		•(x2)	•				•(x2)
10	Bolt, Poppet Retainer		•(x4)	•(x4)				•(x6) •(x6)
11	Handle, #1 Poppet Assembly		•					•
12	Washer, Poppet Bolt		•(x4)	•(x4)				•(x6) •(x6)
13	O-Ring, Poppet Bolt	•(x8)	•(x4)	•(x4)	•(x4)	•(x4)		•(x12) •(x6) •(x6)
14	Poppet Retainer		•	•				•
15	Seal Ring	•(x2)	•	•				•(x2)
16	Seat Assembly, #1 Poppet		•					•
17	Seat Assembly, #2 Poppet		•					•
18	Washer, Seat Retainer							•(x4) •(x7)

Whole Goods (Available for individual sale)								
Item #	Item Description	2 1/2"	3"	4"	6"	8"	10"	12"
19	Gate Valve, NRS (FxF)	212-48	3-48	4-48	6-48	8-48	10-48	12-48
	Gate Valve, NRS (GxG)	212-48G	3-48G	4-48G	6-48G	8-48G	10-48G	12-48G
	Gate Valve, NRS (GxF)	212-48GXF	3-48GXF	4-48GXF	6-48GXF	8-48GXF	10-48GXF	12-48GXF
	Gate Valve, OS&Y (FxF)	212-48OSY	3-48OSY	4-48OSY	6-48OSY	8-48OSY	10-48OSY	12-48OSY
	Gate Valve, OS&Y (GxG)	212-48OSYG	3-48OSYG	4-48OSYG	6-48OSYG	8-48OSYG	10-48OSYG	12-48OSYG
	Gate Valve, OS&Y (GxF)	212-48OSYGXF	3-48OSYGXF	4-48OSYGXF	6-48OSYGXF	8-48OSYGXF	10-48OSYGXF	12-48OSYGXF
	Butterfly Valve (GxG)	212-49G	3-49G	4-49G	6-49G	8-49G	10-49G	12-49G
	Butterfly Valve (GxF)	212-49GXF	3-49GXF	4-49GXF	6-49GXF	8-49GXF	10-49GXF	12-49GXF
20	Ball Valve, FxF		12-850XL			34-850XL		
21	Ball Valve, MxF		12-850MXL			N/A		
22	Cover Retainer Assembly	6-23 (5-23 for 212-350 and 3-350, not 350A)			8-23			12-23
23	Grooved Coupling	4X212-23	4X3-23	4-23	6-23	8-23	10-23	12-23
24	Bulkhead Fittings		RK12-BULKHEAD-M				RK34-BULKHEAD-F	
25	Sensing Line Bulkhead Fittings		RK12-BULKHEAD-F				RK34-BULKHEAD-M	
26	Cover		RK4-LBF-VALVE-COVER		RK6-LBF-VALVE-COVER		RK8-LBF-VALVE-COVER	

Item No.	Repair Kit Description
	2 1/2" - 4"
RK212-350-COVERPLATE	Cover Plate Repair Kit, 2 1/2" - 4" 350A
RK4-350	Standard Repair Kit, 2 1/2" - 4" 350A
RK4-350CK1	#1 Check Assembly Repair Kit, 2 1/2" - 4" 350A
RK4-350CK2	#2 Check Assembly Repair Kit, 2 1/2" - 4" 350A
RK4-LBF-SEAL-RTNR	Poppet Retainer Repair Kit, 2 1/2" - 4" 350A
BRK4-LBF-SEATRTNR	Bulk #1 Seat Retainer Kit, 2 1/2" - 4" 350A
BRK4-LBF-SEAT2RTNR	Bulk #2 Seat Retainer Kit, 2 1/2" - 4" 350A
	4"
4-BK	Flanged Kit, 4"

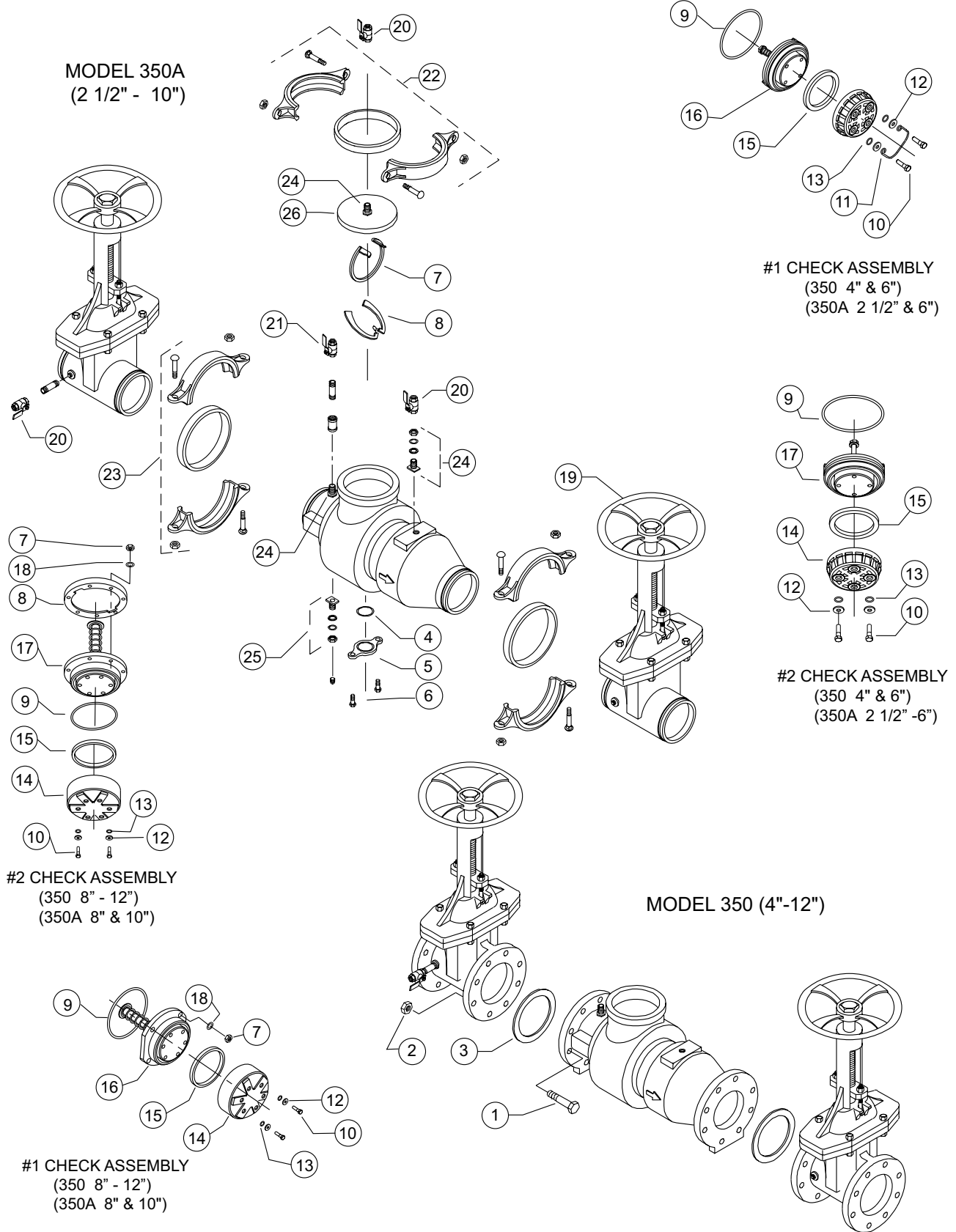
Item No.	Repair Kit Description
	6"
RK6-350	Standard Repair Kit, 6" 350A
RK6-350CK1	#1 Check Assembly Repair Kit, 6" 350A
RK6-350CK2	#2 Check Assembly Repair Kit, 6" 350A
BRK6-LBF-SEATRTNR	Bulk #1 Seat Retainer Kit, 6" 350A
BRK6-LBF-SEAT2RTNR	Bulk #2 Seat Retainer Kit, 6" 350A
6-BK	Flanged Kit, 6"
	8"
8-BK	Flanged Kit, 4"

Item No.	Repair Kit Description
	8" - 12"
RK8-350	Standard Repair Kit, 8" - 12" 350A
RK8-350CK1	#1 Check Assembly Repair Kit, 8" - 12" 350A
RK8-350CK2	#2 Check Assembly Repair Kit, 8" - 12" 350A
RK8-350-COVERPLATE	Cover Plate Repair Kit, 8" - 12" 350A
	10"
10-BK	Flanged Kit, 10"
	12"
12-BK	Flanged Kit, 12"

MODEL 350A and 350

Double Check – Backflow Preventers 350A (2 1/2" to 10") and 350 (4" to 12")

Parts Drawing



MODEL 350AST

Stainless Steel Double Check – Backflow Preventers 2 1/2" to 10"



Repair Kit Components		2 1/2"	3" and 4"	2 1/2" - 6"				6"				8"		8" and 10"		10"			
Size Range		RK212-350ASTCK2	RK4-350ASTCK2	RK4-350	RK4-350ASTCK1	RK4-350AST-COVRPLATE	BRK4-SSLBF-SEATIRTNR	BRK4-SSLBF-SEATZRTNR	RK6-350	RK6-350ASTCK1	RK6-350ASTCK2	BRK6-SSLBF-SEATIRTNR	BRK6-SSLBF-SEATZRTNR	RK8-350ASTCK1	RK8-350ASTCK2	RK8-350	RK8-350-COVRPLATE	RK10-350ASTCK1	RK10-350ASTCK2
2 1/2"		•		•	•	•	•	•											
3"			•	•	•	•	•	•											
4"			•	•	•	•	•	•											
6"									•	•	•	•	•						
8"														•	•	•	•		
10"															•	•	•	•	•
Item #	Item Description																		
1	O-Ring, Cover Plate					•												•	
2	Cover Plate					•												•	
3	Bolt, Cover Plate					•(x2)											•(x2)		
4	Seat Retainer #1						•(x6)		•		•(x6)								
5	Seat Retainer #2		•(x2)					•(x6)		•		•(x6)							
6	O-Ring, Seat	•	•	•(x2)	•			•(x2)	•	•				•	•	•(x2)		•	•
7	Bolt, Poppet Retainer	•(x4)	•(x4)		•(x4)				•(x4)	•(x4)				•(x6)	•(x6)			•(x6)	•(x6)
8	Handle, #1 Poppet Assembly				•				•										
9	Washer	•(x4)	•(x4)		•(x4)				•(x4)	•(x4)				•(x6)	•(x6)			•(x6)	•(x6)
10	O-Ring, Retainer	•(x4)	•(x4)	•(x8)	•(x4)			•(x8)	•(x4)	•(x4)				•(x6)	•(x6)	•(x12)		•(x6)	•(x6)
11	Poppet Retainer	•	•		•				•	•				•	•			•	•
12	Seal Ring	•	•	•(x2)	•			•(x2)	•	•				•	•	•(x2)		•	•
13	Seat Assembly, #1 Poppet				•				•					•				•	
14	Seat Assembly, #2 Poppet	•	•							•				•				•	•
15	Washer, Seat Retainer													•(x4)	•(x7)			•(x4)	•(x7)
16	Nut, Seat Retainer													•(x4)	•(x7)			•(x4)	•(x7)

Whole Goods (Available for individual sale)

Item #	Item Description	2 1/2"	3"	4"	6"	8"	10"
17	Gate Valve, NRS (GxG)	212-48G	3-48G	4-48G	6-48G	8-48G	10-48G
	Gate Valve, NRS (GxF)	212-48GXF	3-48GXF	4-48GXF	6-48GXF	8-48GXF	10-48GXF
	Gate Valve, OS&Y (GxG)	212-48OSYG	3-48OSYG	4-48OSYG	6-48OSYG	8-48OSYG	10-48OSYG
	Gate Valve, OS&Y (GxF)	212-48OSYGXF	3-48OSYGXF	4-48OSYGXF	6-48OSYGXF	8-48OSYGXF	10-48OSYGXF
	Butterfly Valve (GxG)	212-49G	3-49G	4-49G	6-49G	8-49G	10-49G
	Butterfly Valve (GxF)	212-49GXF	3-49GXF	4-49GXF	6-49GXF	8-49GXF	10-49GXF
18	Ball Valve, FxF		12-850XL			34-850XL	
19	Ball Valve, MxF		12-850MXL			N/A	
20	Cover Retainer Assembly		6-23		8-23		12-23
21	Grooved Coupling	212-23	3-23	4-23	6-23	8-23	10-23
22	Cover		3509ST-3		3510ST-3		3511ST-3

Item No.	Repair Kit Description
2 1/2"	
RK212-350ASTCK2	#2 Check Assembly Repair Kit, 2 1/2" 350AST
3" and 4"	
RK4-350ASTCK2	#2 Check Assembly Repair Kit, 3" - 4" 350AST
2 1/2" - 6"	
RK4-350	Standard Repair Kit, 2 1/2" - 4" 350AST
RK4-350ASTCK1	#1 Check Assembly Repair Kit, 2 1/2" - 4" 350AST
RK4-350AST-COVRPLATE	Cover Plate Repair Kit, 2 1/2" - 6" 350AST
BRK4-SSLBF-SEATIRTNR	Bulk #1 Seat Retainer Repair Kit, 2 1/2" - 4" 350AST
BRK4-SSLBF-SEATZRTNR	Bulk #2 Seat Retainer Repair Kit, 2 1/2" - 4" 350AST
6"	
RK6-350	Standard Repair Kit, 6" 350AST
RK6-350ASTCK1	#1 Check Assembly Repair Kit, 6" 350AST
RK6-350ASTCK2	#2 Check Assembly Repair Kit, 6" 350AST
BRK6-SSLBF-SEATIRTNR	Bulk #1 Seat Retainer Repair Kit, 6" 350AST
BRK6-SSLBF-SEATZRTNR	Bulk #2 Seat Retainer Repair Kit, 6" 350AST

Item No.	Repair Kit Description
8"	
RK8-350ASTCK1	#1 Check Assembly Repair Kit, 8" 350AST
RK8-350ASTCK2	#2 Check Assembly Repair Kit, 8" 350AST
8" and 10"	
RK8-350	Standard Repair Kit, 8" - 10" 350AST
RK8-350AST-COVRPLATE	Cover Plate Repair Kit, 8" - 10" 350AST
10"	
RK10-350ASTCK1	#1 Check Assembly Repair Kit, 10" 350AST
RK10-350ASTCK2	#2 Check Assembly Repair Kit, 10" 350AST

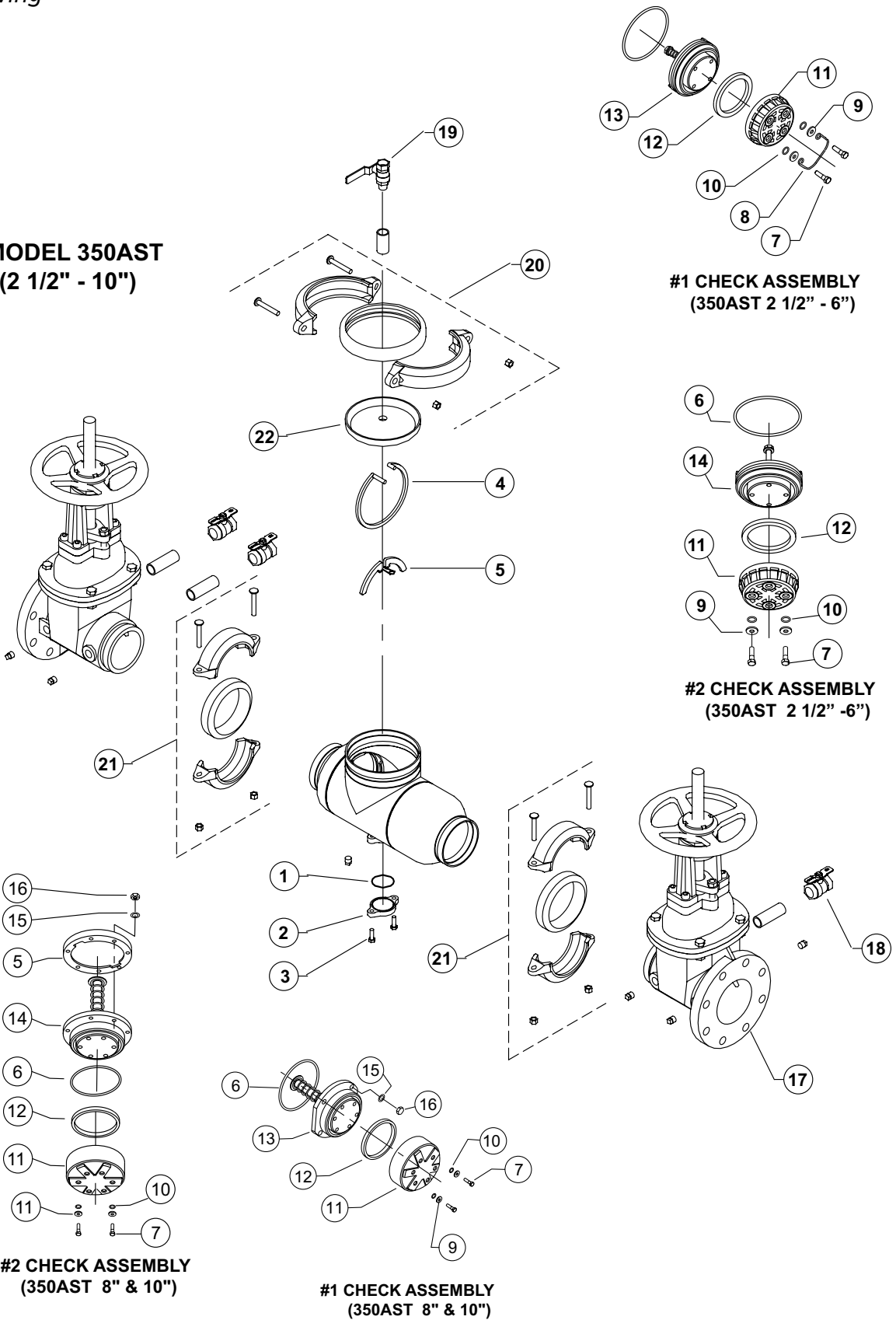
MODEL 350AST

Stainless Steel Double Check – Backflow Preventers 2 1/2" to 10"

Parts Drawing



**MODEL 350AST
(2 1/2" - 10")**



**#1 CHECK ASSEMBLY
(350AST 2 1/2" - 6")**

**#2 CHECK ASSEMBLY
(350AST 2 1/2" - 6")**

**#2 CHECK ASSEMBLY
(350AST 8" & 10")**

**#1 CHECK ASSEMBLY
(350AST 8" & 10")**

MODEL 450

Double Check – Backflow Preventers 4" to 10"



Repair Kit Components		4"					4" and 6"	6"					8" and 10"			
Size Range		RK4-350	RK4-350CK1	RK4-350CK2	BRK4-LBF-SEAT1RTNR	BRK4-LBF-SEAT2RTNR	RK212-450-COVERPLATE	RK6-350	RK6-350CK1	RK6-350CK2	BRK6-LBF-SEAT1RTNR	BRK6-LBF-SEAT2RTNR	RK8-350	RK8-350CK1	RK8-350CK2	RK8-350-COVERPLATE
4"		•	•	•	•	•	•	•	•	•	•					
6"																
8"												•	•	•	•	
10"												•	•	•	•	
Item #	Item Description															
1	Cover Plate					•										•
2	O-Ring, Cover Plate					•										•
3	Bolt, Cover Plate					•(x2)										•(x2)
4	Seat Retainer #1		•		•(x6)			•		•(x6)			•(x4)	•(x7)		
5	Seat Retainer #2			•	•(x6)				•		•(x6)					
6	O-Ring, Seat	•(x2)	•	•			•(x2)	•	•			•(x2)	•	•		
7	Bolt, Poppet Retainer		•(x4)	•(x4)				•(x4)	•(x4)				•(x6)	•(x6)		
8	Handle, #1 Poppet Assembly		•					•	•							
9	Washer, Poppet Retainer		•(x4)	•(x4)				•(x4)	•(x4)				•(x6)	•(x6)		
10	O-Ring, Poppet Retainer	•(x8)	•(x4)	•(x4)			•(x8)	•(x4)	•(x4)			•(x12)	•(x6)	•(x6)		
11	Poppet Retainer		•	•				•	•				•	•		
12	Seal Ring	•(x2)	•	•			•(x2)	•	•			•(x2)	•	•		
13	Seat Assembly #1 Poppet		•					•					•	•		
14	Seat Assembly #2 Poppet			•					•							
15	Washer, Seat												•(x4)	•(x7)		

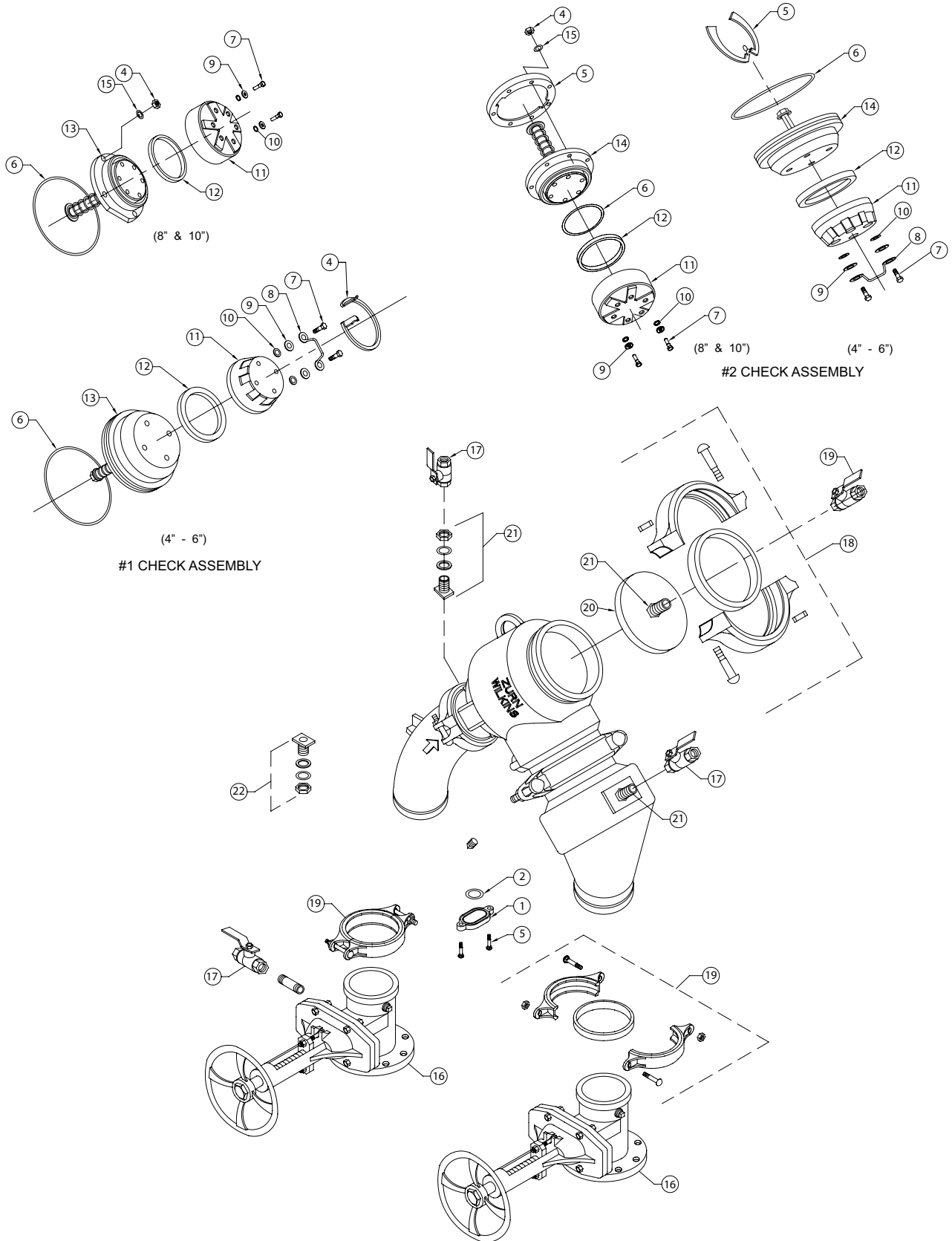
Whole Goods (Available for individual sale)						
Item #	Item Description	4"	6"	8"	10"	
16	Gate Valve, NRS (GxG)	4-48G	6-48G	8-48G	10-48G	
	Gate Valve, NRS (GxF)	4-48GXF	6-48GXF	8-48GXF	10-48GXF	
	Gate Valve, OS&Y (GxG)	4-48OSYG	6-48OSYG	8-48OSYG	10-48OSYG	
	Gate Valve, OS&Y (GxF)	4-48OSYGF	6-48OSYGF	8-48OSYGF	10-48OSYGF	
	Butterfly Valve (GxG)	4-49G	6-49G	8-49G	10-49G	
	Butterfly Valve (GxF)	4-49GXF	6-49GXF	8-49GXF	10-49GXF	
17	Ball Valve, FxF	12-850XL		34-850XL		
18	Cover Retainer Assembly	6-23	8-23	12-23	12-23	
19	Grooved Coupling	4-23	6-23	8-23	10-23	
20	Cover	RK4-LBF-VALVE-COVER	RK6-LBF-VALVE-COVER	RK8-LBF-VALVE-COVER		
21	Bulkhead Fitting	RK12-BULKHEAD-M		RK34-BULKHEAD-F		
22	Sensing Line Bulkhead Fitting	RK12-BULKHEAD-F			RK34-BULKHEAD-M	

Item No.	Repair Kit Description
4"	
RK4-350	Standard Repair Kit, 4" 450
RK4-350CK1	#1 Check Assembly Repair Kit, 4" 450
RK4-350CK2	#2 Check Assembly Repair Kit, 4" 450
BRK4-LBF-SEAT1RTNR	Bulk #1 Seat Retainer Repair Kit, 4" 450
BRK4-LBF-SEAT2RTNR	Bulk #2 Seat Retainer Repair Kit, 4" 450
4" and 6"	
RK212-450-COVERPLATE	Cover Plate Repair Kit, 4" and 6" 450
6"	
RK6-350	Standard Repair Kit, 6" 450
RK6-350CK1	#1 Check Assembly Repair Kit, 6" 450
RK6-350CK2	#2 Check Assembly Repair Kit, 6" 450
BRK6-LBF-SEAT1RTNR	Bulk #1 Seat Retainer Repair Kit, 6" 450
BRK6-LBF-SEAT2RTNR	Bulk #2 Seat Retainer Repair Kit, 6" 450
8" and 10"	
RK8-350	Standard Repair Kit, 8" and 10" 450
RK8-350CK1	#1 Check Assembly Repair Kit, 8" and 10" 450
RK8-350CK2	#2 Check Assembly Repair Kit, 8" and 10" 450
RK8-350-COVERPLATE	Cover Plate Repair Kit, 8" and 10" 450

MODEL 450

Double Check – Backflow Preventers 4" to 10"

Parts Drawing



MODEL 450ST

Stainless Steel Double Check – Backflow Preventers 4" to 10"



Repair Kit Components		4"			4" and 6"		6"			8" and 10"		
Size Range		RK4-350	RK4-450STCK4	BRK4-SSLBF-SEATRTNR	RK4-350AST-COVRPLATE	RK6-350	RK6-450STCK4	BRK6-SSLBF-SEATRTNR	RK8-350	RK8-350-COVRPLATE	RK8-450STCK1	
4"		•	•	•	•							
6"					•	•	•	•				
8"									•	•	•	
10"									•	•	•	
Item #	Item Description											
1	O-Ring, Cover Plate				•					•		
2	Relief Cover Plate				•					•		
3	Bolt, Cover Plate				•(x2)					•(x2)		
4	Seat Retainer		•	•(x6)			•	•(x6)				
5	O-Ring, Seat	•(x2)	•			•(x2)	•		•(x2)		•	
6	Bolt, Poppet Retainer		•(x4)				•(x4)				•(x6)	
7	Handle, Poppet Assembly		•				•				•	
8	Washer		•(x4)				•(x4)				•(x6)	
9	O-Ring, Retainer	•(x8)	•(x4)			•(x8)	•(x4)		•(x12)		•(x6)	
10	Poppet Retainer		•				•				•	
11	Seal Ring	•(x2)	•			•(x2)	•		•(x2)		•	
12	Seat Assembly		•				•				•	
13	Washer, Seat Retainer										•(x4)	
14	Nut, Seat Retainer										•(x4)	

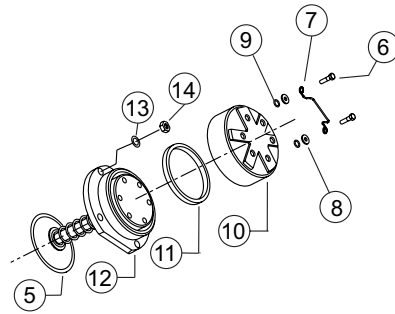
Whole Goods (Available for individual sale)					
Item #	Item Description	4"	6"	8"	10"
15	Gate Valve, NRS (GxG)	4-48G	6-48G	8-48G	10-48G
	Gate Valve, NRS (GxF)	4-48GXF	6-48GXF	8-48GXF	10-48GXF
	Gate Valve, OS&Y (GxG)	4-48OSYG	6-48OSYG	8-48OSYG	10-48OSYG
	Gate Valve, OS&Y (GxF)	4-48OSYGXF	6-48OSYGXF	8-48OSYGXF	10-48OSYGXF
	Butterfly Valve (GxG)	4-49G	6-49G	8-49G	10-49G
	Butterfly Valve (GxF)	4-49GXF	6-49GXF	8-49GXF	10-49GXF
16	Grooved Coupling, Cover	6-23	8-23		12-23
17	Ball Valve, Cover	12-850MXL		34-850XL	
18	Ball Valve, Shut Off Valve	12-850XL		34-850XL	
19	Grooved Coupling, Body	4-23	6-23	8-23	10-23
20	Cover	3509ST-3	3510ST-3		3511ST-3

Item No.	Repair Kit Description
4"	
RK4-350	Rubber Kit, 4"
RK4-450STCK4	#1 and #2 Check Assembly Kit, 4"
BRK4-SSLBF-SEATRTNR	Bulk Seat Retainer Kit, 4"
4" and 6"	
RK4-350AST-COVRPLATE	Cover Plate Kit, 4" and 6"
6"	
RK6-350	Rubber Kit, 6"
RK6-450STCK4	#1 and #2 Check Assembly Kit, 6"
BRK6-SSLBF-SEATRTNR	Bulk Seat Retainer Kit, 6" 450ST
8" and 10"	
RK8-350	Rubber Kit, 8" - 10"
RK8-350-COVRPLATE	Cover Plate Kit, 8" - 10"
RK8-450STCK1	#1 and #2 Check Assembly Kit, 8" - 10"

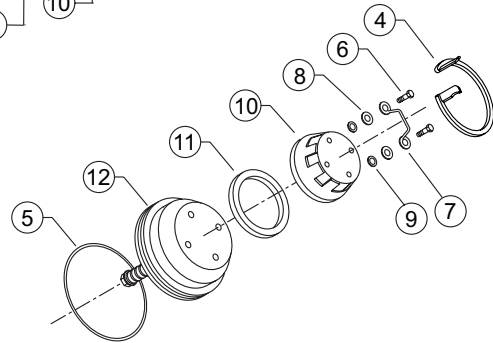
MODEL 450ST

Stainless Steel Double Check – Backflow Preventers 4" to 10"

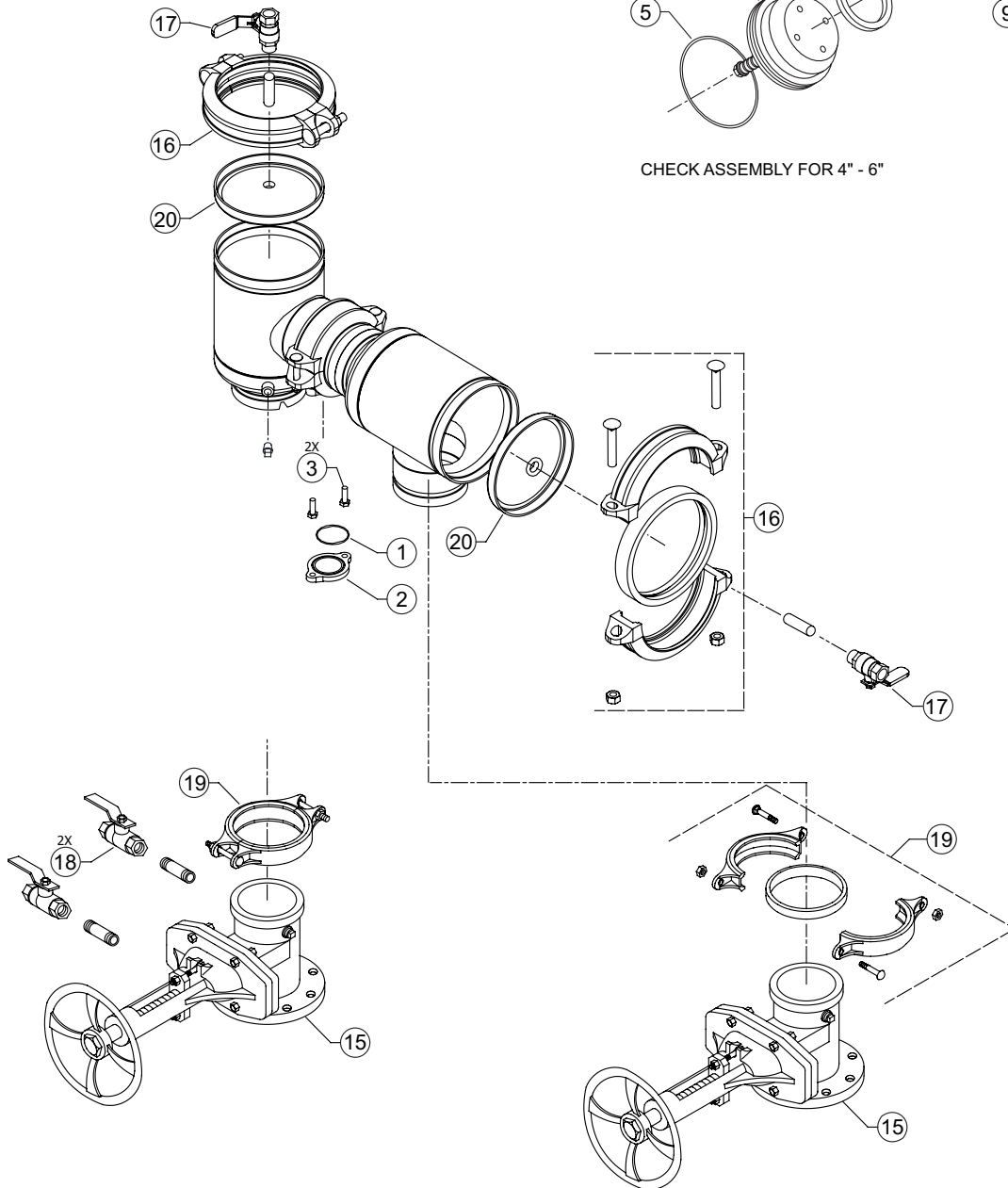
Parts Drawing



CHECK ASSEMBLY FOR 8" - 10"



CHECK ASSEMBLY FOR 4" - 6"



MODEL 375ST



Stainless Steel Reduced Pressure Principle – Backflow Preventers 1/2" to 1"

Repair Kit Components		1/2"		3/4"		1/2" and 3/4"						1"												
Item #	Item Description	RK12-375STBV1	RK12-375STBV2	RK34-375STBV1	RK34-375STBV2	RK34-375	RK34-375R	RK34-375VST	RK34-375W	RK34-375BOF	RK34-375FLUSH	RK34-375-RVCOVER	RK34-375STBVHD	RK1-375STBV1	RK1-375STBV2	RK1-375	RK1-375R	RK1-375VST	RK1-375W	RK1-375BOF	RK1-375FLUSH	RK1-375-RVCOVER	RK1-375STBVHD	
1	Wedge Screw								•(x2)										•(x2)					
2	Wedge								•										•					
3	O-Ring, Sleeve	•		•		•	•		•					•		•	•		•					
4	Sleeve								•										•					
5	O-Ring, #1 Check Seat					•	•	•								•	•	•						
6	#1 Check Seat					•		•								•		•						
7	Poppet Screw					•(x2)		•(x2)								•(x2)		•(x2)						
8	Check Seal Retainer					•(x2)		•(x2)								•(x2)		•(x2)						
9	Check Seal Ring					•(x2)	•(x2)	•(x2)								•(x2)	•(x2)	•(x2)						
10	Poppet					•(x2)		•(x2)								•(x2)		•(x2)						
11	#1 Check Spring					•		•								•		•						
12	#1 Check Spring Retainer					•		•								•		•						
13	O-Ring, #2 Check Seat					•	•	•								•	•	•						
14	#2 Check Seat					•		•								•		•						
15	#2 Check Spring					•		•								•		•						
16	#2 Check Spring Retainer					•		•								•		•						
17	O-Ring, Housing Inlet					•	•	•		•	•					•	•	•			•	•		
18	Test Cock, SS							•(x3)										•(x3)						
19	Check Housing							•										•						
20	O-Ring, Housing Outlet		•		•	•	•	•		•	•				•	•	•	•			•	•		
21	O-Ring, Relief Valve Cover					•	•	•								•	•	•						
22	O-Ring, Relief Valve Seat					•	•	•								•	•	•						
23	Relief Valve Seat					•		•								•		•						
24	Relief Valve Spring					•		•								•		•						
25	Relief Valve Seal Retaining Screw					•		•								•		•						
26	Relief Valve Seal Ring					•	•	•								•(x2)	•	•						
27	Relief Valve Lower Plunger					•		•								•		•						
28	Diaphragm					•	•	•								•	•	•						
29	Relief Valve Upper Plunger					•		•								•		•						
30	O-Ring, Relief Valve Stem					•	•	•								•	•	•						
31	Relief Valve Cover							•								•		•					•	
32	Relief Valve Cover Screw, Short							•(x2)										•(x2)						
32	Relief Valve Cover Screw, Long							•(x4)										•(x4)						
33	Inlet Ball Valve, SS	•		•										•										
34	Outlet Ball Valve, SS		•		•										•									
35	Housing, Blow-Out/Flush									•	•										•	•		
35	Flush Hose Assembly										•											•		
36	Red Ball Valve, Handle and Nut												•(x2)											•(x2)
	Test Cock Cap Plug							•(x3)										•(x3)						

Whole Goods (Available for individual sale)

Item #	Item Description	3/4"	1"
18	Test Cock, SS		18-860SS

Item No.	Repair Kit Description
	1/2"
RK12-375STBV1	Inlet Ball Valve Repair Kit, 1/2" 375ST
RK12-375STBV2	Outlet Ball Valve Repair Kit, 1/2" 375ST
	3/4"
RK34-375STBV1	Inlet Ball Valve Repair Kit, 3/4" 375ST
RK34-375STBV2	Outlet Ball Valve Repair Kit, 3/4" 375ST

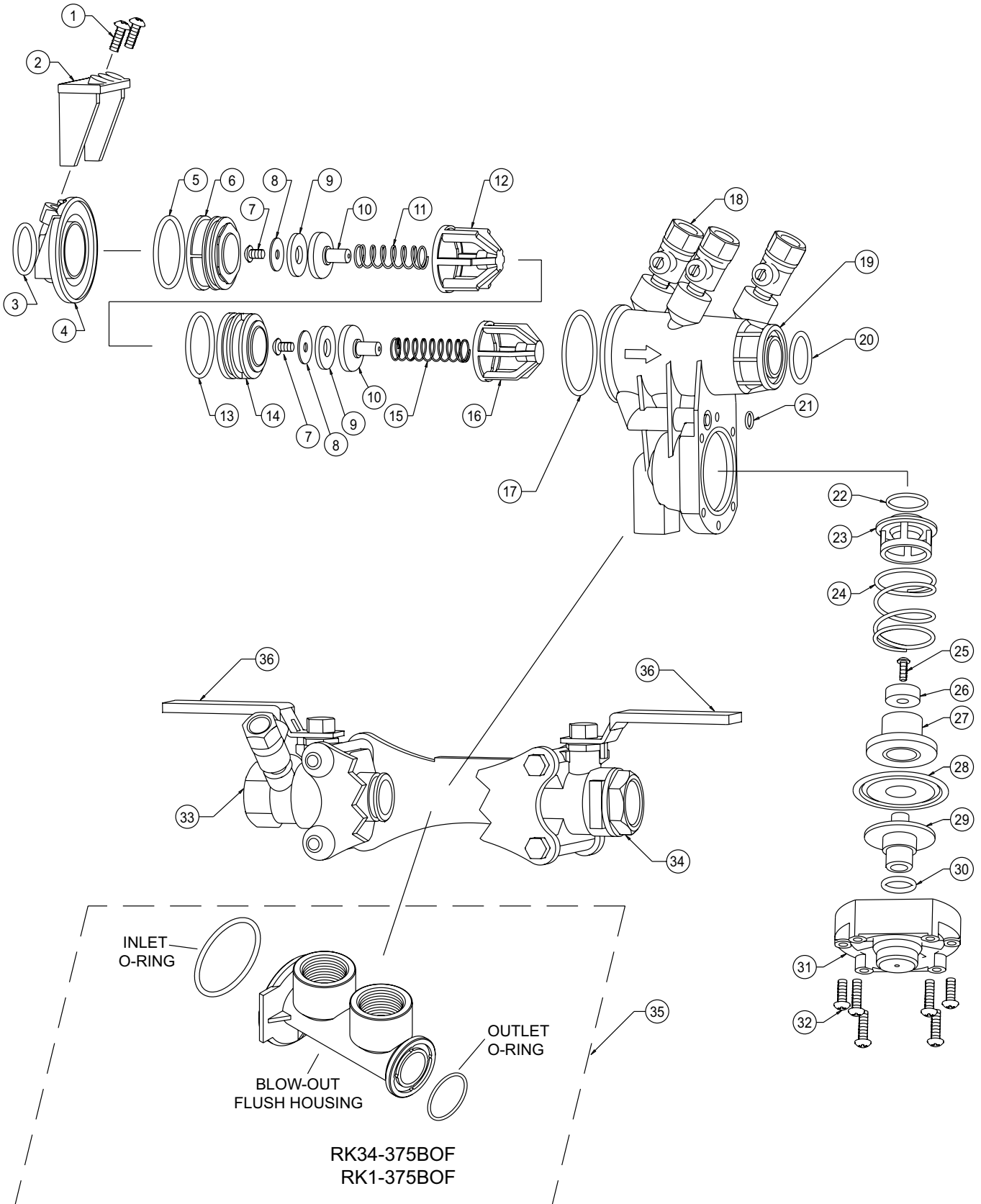
Item No.	Repair Kit Description
	1/2" and 3/4"
RK34-375	Complete Internals Repair Kit, 1/2" and 3/4" 375ST
RK34-375R	Rubber Repair Kit, 1/2" and 3/4" 375ST
RK34-375VST	Complete Pressure Vessel Repair Kit, 1/2" and 3/4" 375ST
RK34-375W	Wedge Assembly Repair Kit, 1/2" and 3/4" 375ST
RK34-375BOF	Blow-Out/Flush Fitting Repair Kit, 1/2" and 3/4" 375ST
RK34-375FLUSH	Flush Kit, 1/2" and 3/4" 375 Series

Item No.	Repair Kit Description
RK34-375-RVCOVER	Relief Valve Cover Repair Kit, 1/2" and 3/4" 375ST
RK34-375STBVHD	Red Ball Valve Handle Repair Kit, 1/2" and 3/4" 375ST
	1"
RK1-375STBV1	Inlet Ball Valve Repair Kit, 1" 375ST
RK1-375STBV2	Outlet Ball Valve Repair Kit, 1" 375ST
RK1-375	Complete Internals Repair Kit, 1" 375ST
RK1-375R	Rubber Repair Kit, 1" 375ST
RK1-375VST	Complete Pressure Vessel Repair Kit, 1" 375ST
RK1-375W	Wedge Assembly Repair Kit, 1" 375ST
RK1-375BOF	Blow-Out/Flush Fitting Repair Kit, 1" 375ST
RK1-375FLUSH	Flush Kit, 1" 375ST
RK1-375-RVCOVER	Relief Valve Cover Repair Kit, 1" 375ST
RK1-375STBVHD	Red Ball Valve Handle Repair Kit, 1" 375ST

MODEL 375ST

Stainless Steel Reduced Pressure Principle – Backflow Preventers ½" to 1"

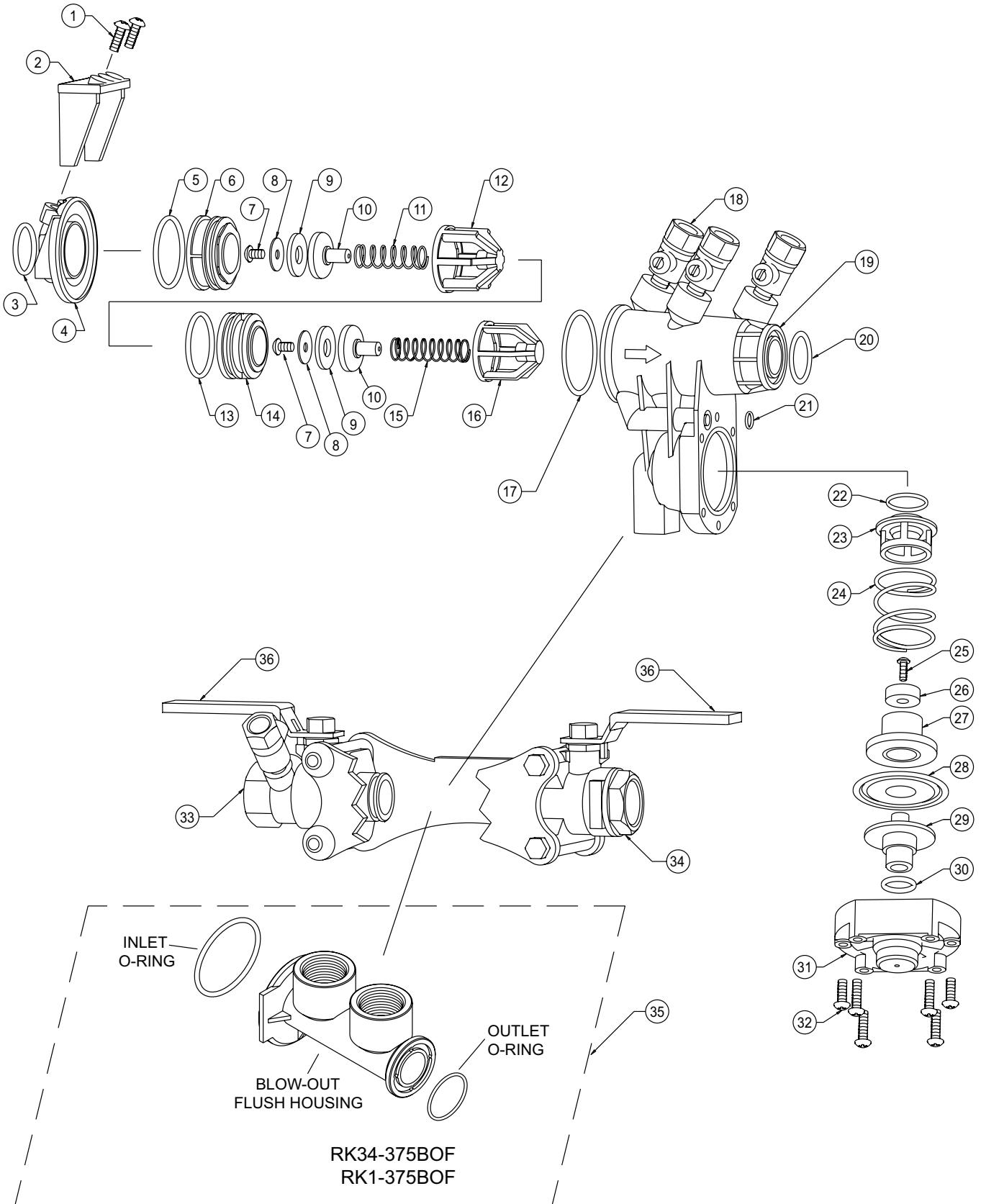
Parts Drawing



MODEL 375XL and 375

Reduced Pressure Principle – Backflow Preventers ½" to 1"

Parts Drawing



MODEL 375XL and 375

Reduced Pressure Principle – Backflow Preventers 1 1/4" to 2"



Repair Kit Components		1 1/4"					1 1/2"					2"					1 1/4" - 2"								
Item #	Item Description	RK114-375XLBV1	RK114-375BV1	RK114-375XLBV2	RK114-375BV2	RK114-375BVHD	RK114-375XLBVHD	RK112-375XLBV1	RK112-375BV1	RK112-375XLBV2	RK112-375BV2	RK112-375BVHD	RK112-375XLBVHD	RK2-375XLBV1	RK2-375BV1	RK2-375XLBV2	RK2-375BV2	RK2-375BVHD	RK2-375XLBVHD	RK114-375V	RK114-350-375BOF	RK114-350-375FLUSH	RK114-375	RK114-375R	
1	Pressure Vessel																			•					
2	Integral Inlet Ball Valve 375XL	•						•						•											
2	Integral Inlet Ball Valve 375		•						•						•										
3	O-Ring, Ball Valve	•	•	•	•			•	•	•	•			•	•	•	•				•(x2)	•(x2)	•(x2)	•(x2)	•(x2)
4	Sleeve																				•				
5	O-Ring, Sleeve/#1 Seat																				•(x2)	•	•	•(x2)	•(x2)
6	Bolt, Sleeve																				•(x4)				
7	Test Cocks																				•(x3)				
8	Integral Outlet Ball Valve 375XL			•						•						•									
8	Integral Outlet Ball Valve 375				•						•						•								
9	Seat #1																				•			•	
10	Spring #1																				•			•	
11	Spring Retainer #1																				•			•	
12	Bolt, Seat																				•(x2)			•(x2)	
13	Seal Retainer																				•(x2)			•(x2)	
14	Seal Washer																				•(x2)			•(x2)	•(x2)
15	Poppet																				•(x2)			•(x2)	•(x2)
16	O-Ring, #2 Seat																				•			•	•
17	Seat #2																				•			•	
18	Spring #2																				•(x2)			•	
19	Spring Retainer #2																				•			•	
20	Seal Washer, Relief Valve																				•			•	•
21	Seal Retainer, Relief Valve																				•			•	
22	Bolt, Relief Valve																				•			•	
23	O-Ring, Relief Valve																				•			•	•
24	Nut, Relief Valve																				•			•	
25	O-Ring, Sensing Port																				•(x2)			•(x2)	•(x2)
26	Body, Relief Valve																				•			•	
27	Seat, Relief Valve																				•			•	
28	Spring Guide, Relief Valve																				•			•	
29	Spring, Relief Valve																				•			•	
30	Diaphragm																				•			•	•
31	Plunger, Relief Valve																				•			•	
32	O-Ring, Plunger																				•			•	•
33	O-Ring, Relief Valve Cover																				•			•	•
34	Cover, Relief Valve																				•			•	
35	Bolt, Cover																				•			•	
36	Spacer, #1																				•			•	
37	Body, Blow Out/Flush Flush Hose Assembly																					•	•		
38	Green Ball Valve Handle and Nut																					•(x2)			
38	Blue Ball Valve Handle and Nut																					•(x2)			
	Test Cock Cap Plug																								•(x3)

Whole Goods (Available for individual sale)			
Item #	Item Description	1 1/4"	1 1/2" 2"
7	Test Cock		RK18-860XL

Item No.	Repair Kit Description
RK114-375XLBV1	Inlet Ball Valve Repair Kit, 1 1/4" 375XL
RK114-375BV1	Inlet Ball Valve Repair Kit, 1 1/4" 375
RK114-375XLBV2	Outlet Ball Valve Repair Kit, 1 1/4" 375XL
RK114-375BV2	Outlet Ball Valve Repair Kit, 1 1/4" 375
RK114-375BVHD	Blue Ball Valve Handle Repair Kit, 1 1/4" 375
RK114-375XLBVHD	Green Ball Valve Handle Repair Kit, 1 1/4" 375XL

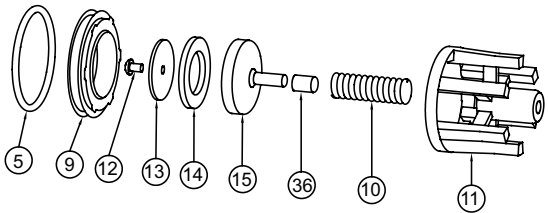
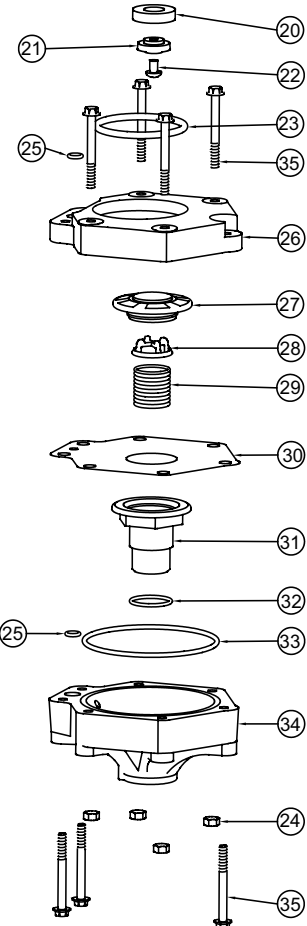
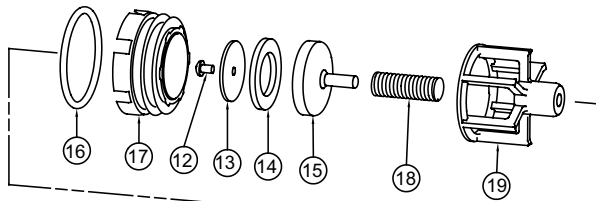
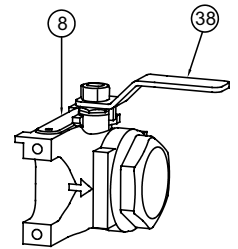
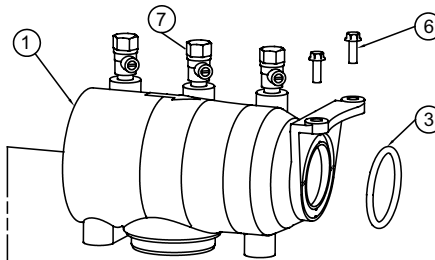
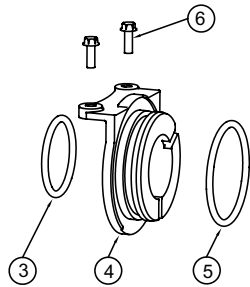
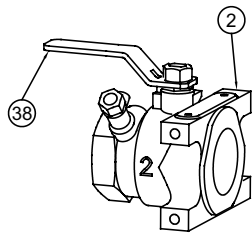
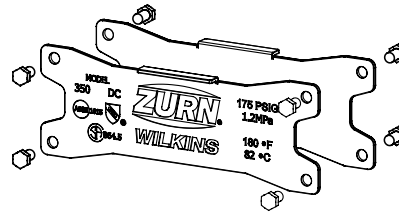
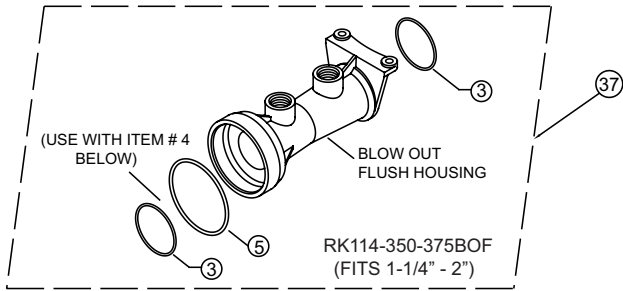
Item No.	Repair Kit Description
RK112-375XLBV1	Inlet Ball Valve Repair Kit, 1 1/2" 375XL
RK112-375BV1	Inlet Ball Valve Repair Kit, 1 1/2" 375
RK112-375XLBV2	Outlet Ball Valve Repair Kit, 1 1/2" 375XL
RK112-375BV2	Outlet Ball Valve Repair Kit, 1 1/2" 375
RK112-375BVHD	Blue Ball Valve Handle Repair Kit, 1 1/2" 375
RK112-375XLBVHD	Green Ball Valve Handle Repair Kit, 1 1/2" 375XL
RK2-375XLBV1	Inlet Ball Valve Repair Kit, 2" 375XL
RK2-375BV1	Inlet Ball Valve Repair Kit, 2" 375
RK2-375XLBV2	Outlet Ball Valve Repair Kit, 2" 375XL
RK2-375BV2	Outlet Ball Valve Repair Kit, 2" 375
RK2-375BVHD	Blue Ball Valve Handle Repair Kit, 2" 375
RK2-375XLBVHD	Green Ball Valve Handle Repair Kit, 2" 375XL

Item No.	Repair Kit Description
RK114-375V	Complete Pressure Vessel Repair Kit, 1 1/4" 375XL and 375
RK114-350-375BOF	Blow-Out/Flush Fitting Repair Kit, 1 1/4" 375XL and 375
RK114-350-375FLUSH	Flush Kit, 1 1/4" 375XL and 375
RK114-375	Check Repair Kit, 1 1/4" - 2" 375XL and 375
RK114-375R	Rubber Repair Kit, 1 1/4" 375XL and 375

MODEL 375XL and 375

Reduced Pressure Principle – Backflow Preventers 1 1/4" to 2"

Parts Drawing



MODEL 975



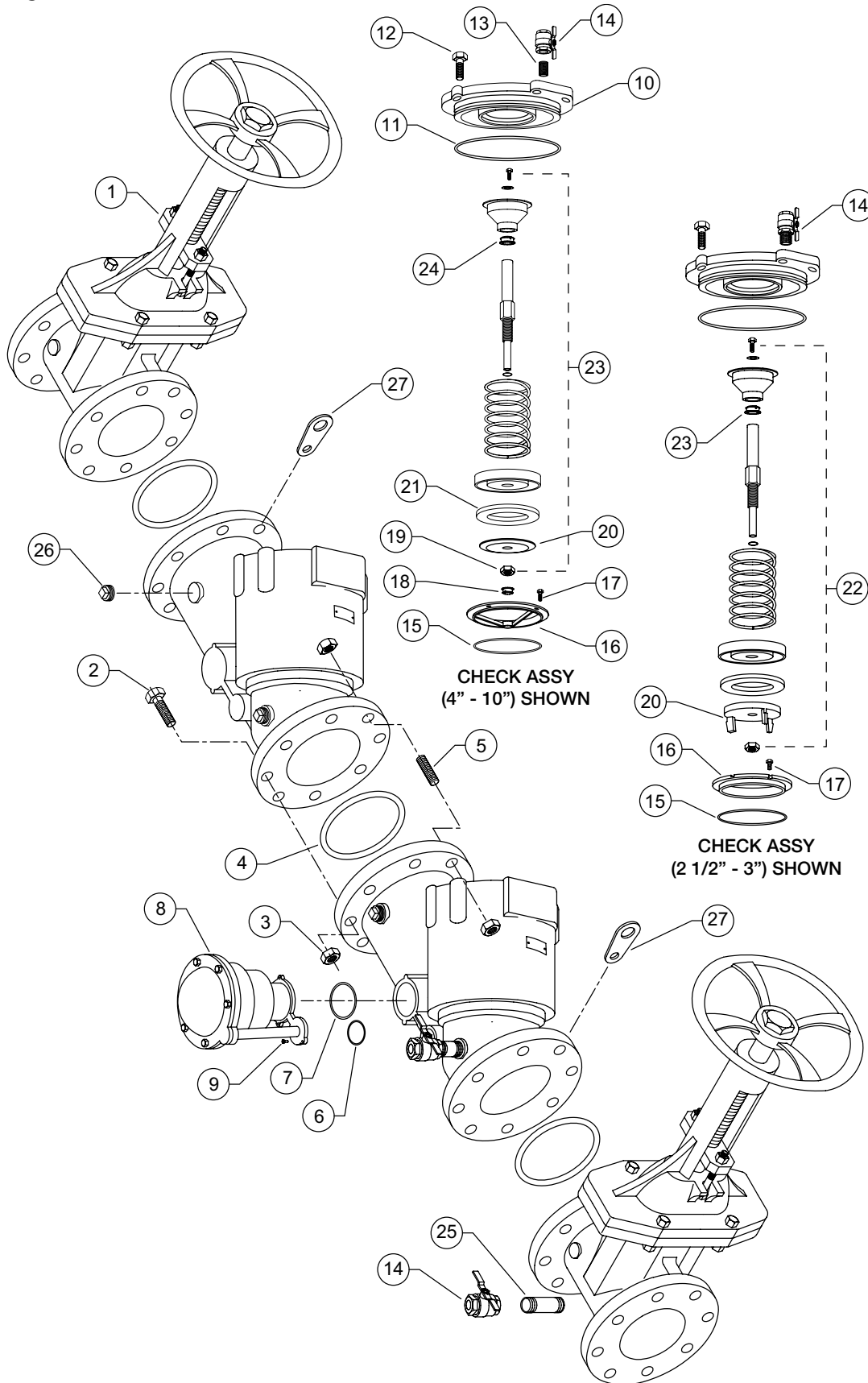
Reduced Pressure Principle – Backflow Preventers 2 1/2" to 10"

Repair Kit Components		2 1/2" and 3"	4"	6"	8"	10"
Item #	Item Description	RIK12-950	RIK4-950	RIK6-950	RIK8-950	RIK10-950
1	Gate Valve, NRS Gate Valve, OS&Y					
2	Bolt, Flange					
3	Nut, Flange					
4	Gasket, Flange					
5	Stud, Flange					
6	O-Ring, Small					
7	O-Ring, Large					
8	Cover Plate					
9	Bolt, Cover Plate					
10	Cover					
11	O-Ring, Cover	● (x2)	● (x2)	● (x2)	● (x2)	● (x2)
12	Bolt, Cover					
13	Nipple, Short					
14	Ball Valve, Male Ball Valve, Female					
15	O-Ring, Seat					
16	Seat					
17	Bolt, Seat					
18	Lower Stem Guide					
19	Nut, Stem					
20	Retaining Plate					
21	Seal Ring	● (x2)	● (x2)	● (x2)	● (x2)	● (x2)
22	Poppet Assembly					
23	Upper Stem Guide					
24	Nipple, Long					
25	Plug					
26	Lifting Lug					

MODEL 975

Reduced Pressure Principle - Backflow Preventers 2 1/2" to 10"

Parts Drawing



MODEL 975XLST



Stainless Steel Reduced Pressure Principle – Backflow Preventers 3/8" and 1/2"

Repair Kit Components		3/8" and 1/2"				
Item #	Item Description	RK14-975XL	RK14-975XLC	RK14-975XLR	RK14-975XLSK	RK14-975XLA
1	O-Ring, Cover	● (x2)	● (x2)	● (x2)		● (x2)
2	No. 2 Check Spring	●	●			●
3	No. 1 Check Spring	●	●			●
4	Poppet		● (x2)			
5	Seal Ring	● (x2)	● (x2)	● (x2)		● (x2)
6	Seal Ring Retainer		● (x2)			
7	Retaining Bolt		● (x2)			
8	Check Seat		● (x2)		● (x2)	● (x2)
9	O-Ring, Check Seat		● (x2)		● (x2)	● (x2)
10	O-Ring, Relief Valve Seat		●		●	●
11	Relief Valve Seat		●		●	●
12	Relief Valve Spring	●	●			●
13	Relief Valve Retaining Bolt		●			
14	Relief Valve Seal Ring Retainer		●			
15	Relief Valve Seal Ring	●	●	●		●
16	Relief Valve Lower Plunger		●			
17	Relief Valve Diaphragm	●	●	●		●
18	Relief Valve Upper Plunger		●			
19	O-Ring, Relief Valve Stem	●	●	●		●

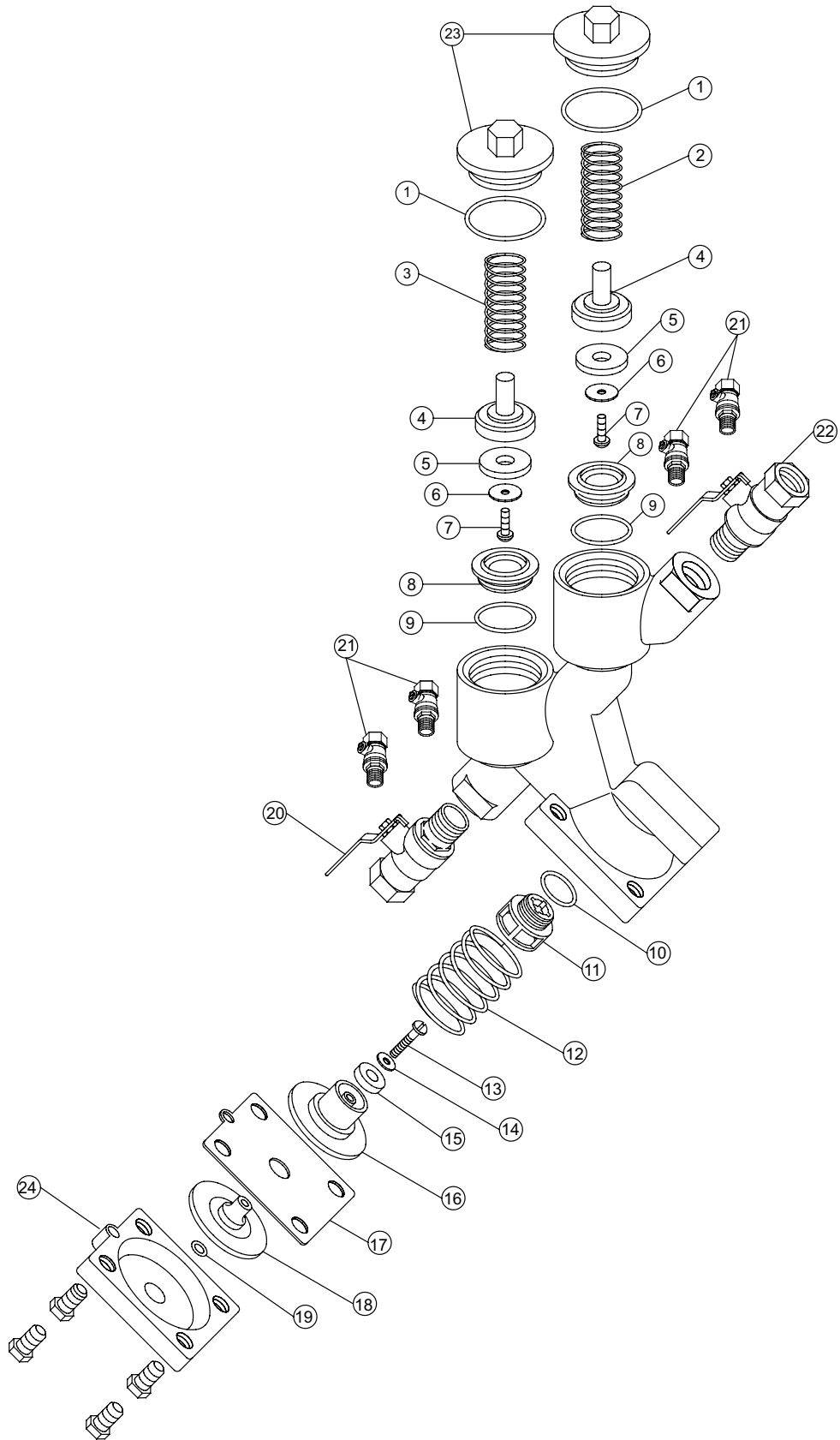
Whole Goods (Available for individual sale)			
Item #	Item Description	3/8"	1/2"
20	Ball Valve, SS Tapped	12-850TMSS/971A-2	12-850TMSS
21	Test Cock, SS		18-860SS
22	Ball Valve	12-850MSS/971A-2	12-850MSS
23	Check Cover		971-3SS-010F
24	Relief Valve Cover and Bolts (X4)		RK38-RVSS-COVER
	Check Seat Tool (x6)		BRK12-SEATTOOL

Item No.	Repair Kit Description
3/8" and 1/2"	
RK14-975XL	Standard Repair Kit, 3/8" and 1/2" 975XLST
RK14-975XLC	Complete Repair Kit, 3/8" and 1/2" 975XLST
RK14-975XLR	Rubber Repair Kit, 3/8" and 1/2" 975XLST
RK14-975XLSK	Seat Repair Kit, 3/8" and 1/2" 975XLST
RK14-975XLA	Standard Repair Kit w/seats, 3/8" and 1/2" 975XLST

MODEL 975XLST

Stainless Steel Reduced Pressure Principle – Backflow Preventers 3/8" and 1/2"

Parts Drawing



MODEL 975XL2 and 975XL



Reduced Pressure Principle – Backflow Preventers 1/4" to 1/2"

Repair Kit Components		1/4" - 1/2"				
Item #	Item Description	RK14-975XL	RK14-975XLC	RK14-975XLR	RK14-975XLSK	RK14-975XLA
1	O-Ring, Cover	● (x2)	● (x2)	● (x2)		● (x2)
2	#2 Check Spring	●	●			●
3	#1 Check Spring	●	●			●
4	Poppet		● (x2)			
5	Seal Ring	● (x2)	● (x2)	● (x2)		● (x2)
6	Seal Ring Retainer		● (x2)			
7	Retaining Bolt		● (x2)			
8	Check Seat		● (x2)		● (x2)	● (x2)
9	O-Ring, Check Seat		● (x2)		● (x2)	● (x2)
10	O-Ring, Relief Valve Seat		●		●	●
11	Relief Valve Seat		●		●	●
12	Relief Valve Spring	●	●			●
13	Relief Valve Retaining Bolt		●			
14	Relief Valve Seal Ring Retainer		●			
15	Relief Valve Seal Ring	●	●	●		●
16	Relief Valve Lower Plunger		●			
17	Relief Valve Diaphragm	●	●	●		●
18	Relief Valve Upper Plunger		●			
19	O-Ring, Relief Valve Stem	●	●	●		●
	Relief Valve and Check Seat Tool					●

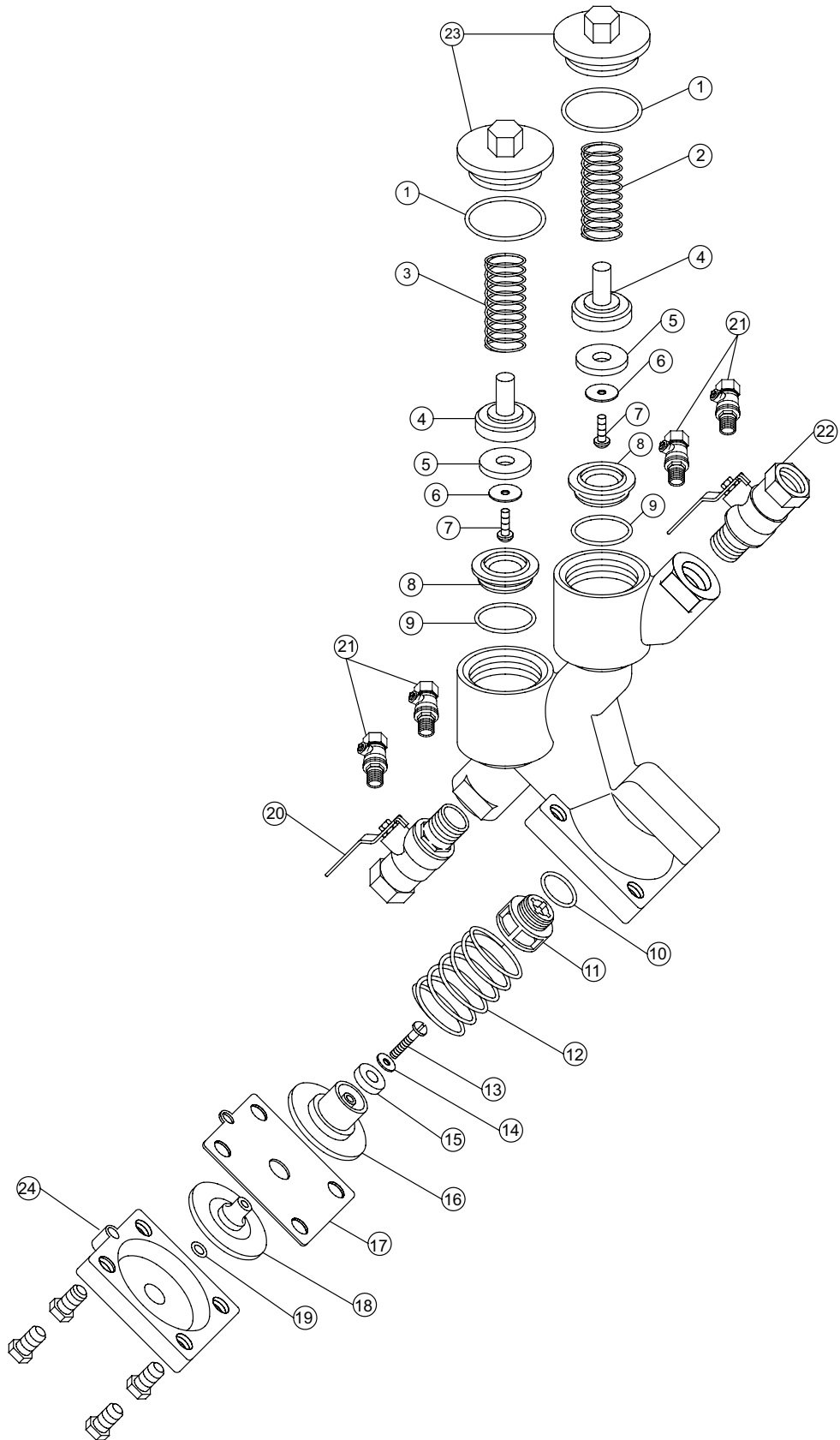
Whole Goods (Available for individual sale)				
Item #	Item Description	1/4"	3/8"	1/2"
20	Ball Valve, Tapped	12-850TMXL/971B-2	12-850TMXL/971A-2	12-850TMXL
21	Test Cock		RK18-860XL	
22	Ball Valve	12-850MXL/971B-2	12-850MXL/971A-2	12-850MXL
23	Check Cover		971-3XL2-010F	
24	Relief Valve Cover and Bolts		RK38-RV-COVER	
	Check Seat Tool (x6)		BRK12-SEATTOOL	

Item No.	Repair Kit Description
1/4" - 1/2"	
RK14-975XL	Standard Repair Kit, 1/4" - 1/2" 975XL2 and 975XL
RK14-975XLC	Complete Repair Kit, 1/4" - 1/2" 975XL2 and 975XL
RK14-975XLR	Rubber Repair Kit, 1/4" - 1/2" 975XL2 and 975XL
RK14-975XLSK	Seat Repair Kit, 1/4" - 1/2" 975XL2 and 975XL
RK14-975XLA	Standard Repair Kit w/seats, 1/4" - 1/2" 975XL2 and 975XL

MODEL 975XL2 and 975XL

Reduced Pressure Principle – Backflow Preventers – ¼" to ½"

Parts Drawing



MODEL 975XL2 and 975XL

Reduced Pressure Principle – Backflow Preventers 3/4" to 2"



Repair Kit Components		3/4" and 1"							1 1/4" - 2"								
Item #	Item Description	RK34-975XL	RK34-975XLC	RK34-975XLR	RK34-975XLSK	RK34-975XLA	RK34-CK-COVER	RK34-RV-COVER	RK34-975XLRVR	RK114-975XL	RK114-975XLC	RK114-975XLR	RK114-975XLSK	RK114-975XLA	RK114-CK-COVER	RK114-RV-COVER	RK114-975XLRVR
1	O-Ring, Check Seat		•(x2)		•(x2)	•(x2)					•(x2)		•(x2)	•(x2)			
2	Check Seat		•(x2)		•(x2)	•(x2)					•(x2)		•(x2)	•(x2)			
3	Retaining Bolt		•(x2)								•(x2)						
4	Seal Ring Retainer		•(x2)								•(x2)						
5	Seal Ring	•(x2)	•(x2)	•(x2)		•(x2)				•(x2)	•(x2)	•(x2)		•(x2)			
6	Poppet		•(x2)								•(x2)						
7	#1 Check Spring	•	•			•				•	•			•			
8	O-Ring, Cover	•(x2)	•(x2)	•(x2)		•(x2)	•(x2)			•(x2)	•(x2)	•(x2)		•(x2)	•(x2)		
9	Check Cover						•(x2)								•(x2)		
10	#2 Check Spring	•	•			•				•	•			•			
11	O-Ring, Relief Valve Seat		•		•	•					•		•	•			
12	Relief Valve Seat		•		•	•					•		•	•			
13	Relief Valve Spring	•	•			•				•	•			•			
14	Relief Valve Retaining Bolt		•								•						
15	Relief Valve Seal Ring Retainer		•								•						
16	Relief Valve Seal Ring	•	•	•		•			•	•	•	•		•			•
17	Relief Valve Lower Plunger		•								•						
18	Relief Valve Diaphragm	•	•	•		•			•	•	•	•		•			•
19	Relief Valve Upper Plunger		•								•						
20	O-Ring, Relief Valve Stem	•	•	•		•			•	•	•	•		•			•
21	Relief Valve Cover Bolt							•(x7)								•(x7)	
22	Relief Valve Cover						•								•		
	RV and Check Seat Tool					•							•				

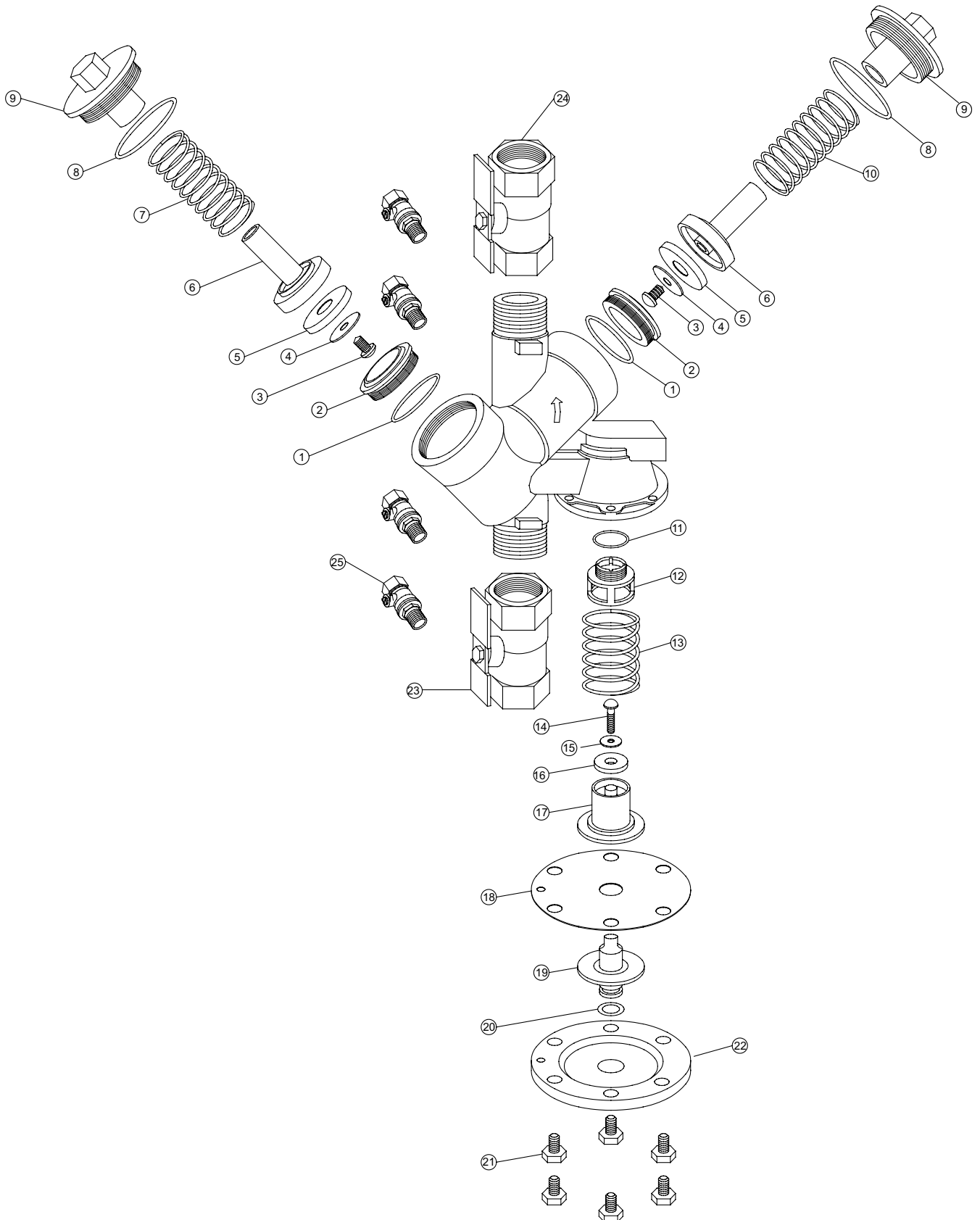
Whole Goods (Available for individual sale)						
Item #	Item Description	3/4"	1"	1 1/4"	1 1/2"	2"
23	Ball Valve, Tapped 975XL2	34-850TXL	1-850TXL	114-850TXL	112-850TXL	2-850TXL
	Ball Valve, Tapped 975XL	34-850T	1-850T	114-850T	112-850T	2-850T
	Butterfly Valve, Tapped	N/A		114-49BRXLSST	112-49BRXLSST	2-49BRXLSST
24	Ball Valve, 975XL2	34-850XL	1-850XL	114-850XL	112-850XL	2-850XL
	Ball Valve, 975XL	34-850	1-850	114-850	112-850	2-850
	Butterfly Valve	N/A		114-49BRXLSS	112-49BRXLSS	2-49BRXLSS
25	Test Cock	RK18-860XL		RK14-860XL		
	Check Seat Tool (x6)	BRK34-SEATTOOL		BRK114-SEATTOOL		

Item No.	Repair Kit Description
3/4" and 1"	
RK34-975XL	Standard Repair Kit, 3/4" and 1" 975XL2 and 975XL
RK34-975XLC	Complete Repair Kit, 3/4" and 1" 975XL2 and 975XL
RK34-975XLR	Rubber Repair Kit, 3/4" and 1" 975XL2 and 975XL
RK34-975XLSK	Seat Repair Kit 3/4" and 1" 975XL2 and 975XL
RK34-975XLA	Complete Repair Kit w/seats, 3/4" and 1" 975XL2 and 975XL
RK34-CK-COVER	Check Cover Repair Kit 3/4" and 1" 975XL2 and 975XL
RK34-RV-COVER	Relief Valve Cover Repair Kit 3/4" and 1" 975XL2 and 975XL
RK34-975XLRVR	Relief Valve Rubber Repair Kit 3/4" and 1" 975XL2 and 975XL
1 1/4" - 2"	
RK114-975XL	Standard Repair Kit, 1 1/4" - 2" 975XL2 and 975XL
RK114-975XLC	Complete Repair Kit, 1 1/4" - 2" 975XL2 and 975XL
RK114-975XLR	Rubber Repair Kit, 1 1/4" - 2" 975XL2 and 975XL
RK114-975XLSK	Seat Repair Kit 1 1/4" - 2" 975XL2 and 975XL
RK34-975XLA	Complete Repair Kit w/seats, 1 1/4" - 2" 975XL2 and 975XL
RK114-CK-COVER	Check Cover Repair Kit 1 1/4" - 2" 975XL2 and 975XL
RK114-RV-COVER	Relief Valve COVER Repair Kit 1 1/4" - 2" 975XL2 and 975XL
RK114-975XLRVR	Relief Valve Rubber Repair Kit 1 1/4" - 2" 975XL2 and 975XL

MODEL 975XL2 and 975XL

Reduced Pressure Principle – Backflow Preventers 3/4" to 2"

Parts Drawing



MODEL 975XL3



Reduced Pressure Principle – Backflow Preventers 1/2" to 2"

Repair Kit Components		1/2" - 3/4"		1/2" - 1"			1"		1 1/4" - 1 1/2"			1 1/4" - 2"		2"			
Item #	Item Description	RK34-975XL3	RK34-975XL3R	RK34-975XL3RV	RK34-975XL3RVC	RK18-860XLFT	RK1-975XL3	RK1-975XL3R	RK114-975XL3	RK114-975XL3RV	RK114-975XL3RVC	RK114-975XL3R	RK14-860XL	RK2-975XL3	RK2-975XL3RV	RK2-975XL3RVC	RK2-975XL3R
1	Relief Valve Seat	•		•			•		•	•				•	•		
2	Relief Valve Diaphragm	•	•	•			•	•	•	•		•		•	•		•
3	Relief Valve Lower Plunger	•		•			•		•	•				•	•		
4	Relief Valve Plunger-Upper	•		•			•		•	•				•	•		
5	Relief Valve Seal	•	•	•			•	•	•	•		•		•	•		•
6	Relief Valve Cover				•						•					•	
7	Relief Valve Cover Screw				•(x4)						•(x6)					•(x6)	
8	Relief Valve Cup Seal	•	•	•	•		•	•	•	•	•	•		•	•	•	•
9	Relief Valve Cover O-Ring	•	•	•	•		•	•	•	•	•	•		•	•	•	•
10	Relief Valve Seat O-Ring	•	•	•			•	•	•	•		•		•	•		•
11	Relief Valve Spring	•		•			•		•	•				•	•		
12	Check Assembly	•					•		•					•			
13	Cover O-Ring	•	•				•	•	•			•		•			•
14	Check Seal		•(x2)					•(x2)				•(x2)					•(x2)
15	#1 Seat O-Ring		•					•				•					•
16	#2 Seat O-Ring		•					•				•					•
17	Relief Valve Screw	•					•		•					•			
18	Fast-Test Test Cocks																•(x4)
19	Caps																•(x4)
20	Test Cocks												•(x4)				

Whole Goods (Available for individual sale)

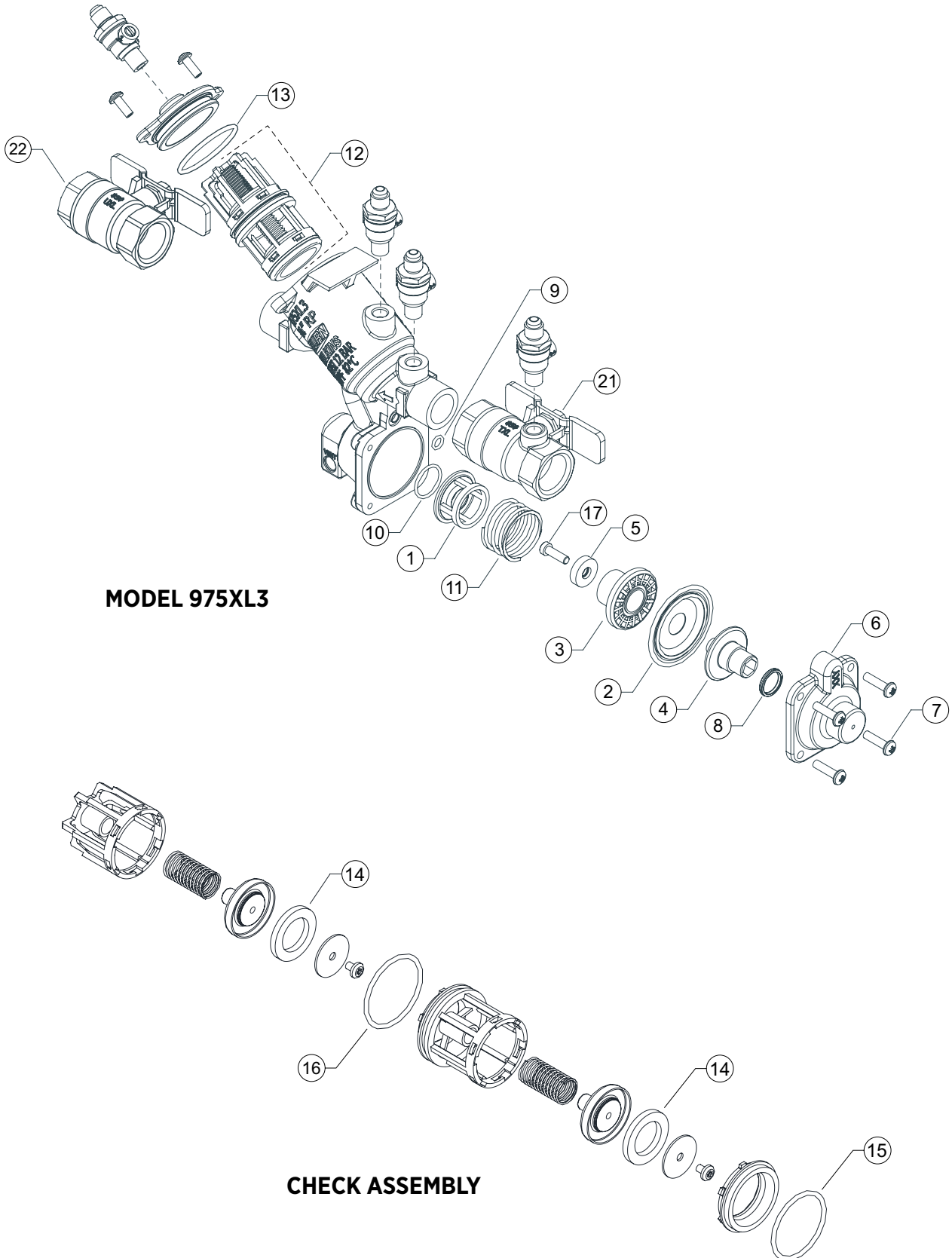
Item #	Item Description	1/2"	3/4"	1"	1 1/4"	1 1/2"	2"
21	Ball Valve, Tapped	12-850TXL	34-850TXL	1-850TXL	114-850TXL	112-850TXL	2-850TXL
21	Union Ball Valve, Tapped	N/A	34-850TUXL	1-850TUXL	114-850TUXL	112-850TUXL	2-850TUXL
22	Ball Valve	12-850XL	34-850XL	1-850XL	114-850XL	112-850XL	2-850XL
22	Union Ball Valve	N/A	34-850UXL	1-850UXL	114-850UXL	112-850UXL	2-850UXL

Item No.	Repair Kit Description
1/2" - 1"	
RK34-975XL3	Standard Repair Kit, 1/2" - 3/4" 975XL3 Complete Internal, Checks and Relief
RK34-975XL3CH	Repair Kit, 1/2" - 3/4" 975XL3, Check Assembly
RK34-975XL3RV	Relief Valve Repair Kit, 1/2" - 1" 975XL3, Relief Valve No Cover
RK34-975XL3RVC	Relief Cover Valve Repair Kit, 1/2" - 1" 975XL3, Complete Relief Valve Cover
RK34-975XL3R	Rubber Repair Kit, 3/4" 975XL3, Diaphragm, Seal Rings and O-Rings
RK1-975XL3	Standard Repair Kit, 1" 975XL3 Complete Internal, Checks and Relief
RK1-975XL3CH	Repair Kit, 1" 975XL3, Check Assembly
RK1-975XL3R	Rubber Repair Kit, 1" 975XL3 Diaphragm, Seal Rings and O-Rings
RK18-860XLFT	1/8" Fast-Test Test Cocks, Caps, 4PER, Lead-Free
1 1/4" - 2"	
RK114-975XL3	Standard Repair Kit, 1 1/4" - 1 1/2" 975XL3, Complete Internal, Checks and Relief
RK114-975XL3CH	Repair Kit, 1 1/4" - 1 1/2" 975XL3, Check Assembly
RK114-975XL3RV	Relief Valve Repair Kit, 1 1/4" - 1 1/2" 975XL3, Relief Valve No Cover
RK114-975XL3RVC	Relief Valve Cover Repair Kit, 1 1/4" - 1 1/2" 975XL3, Complete Relief Valve Cover
RK114-975XL3R	Rubber Repair Kit, 1 1/4" - 1 1/2" 975XL3, Seal Rings and O-rings
RK2-975XL3	Standard Repair Kit, 2" 975XL3, Complete Internal, Checks and Relief
RK2-975XL3CH	Repair Kit, 2" 975XL3, Check Assembly
RK2-975XL3RV	Relief Valve Repair Kit, 2" 975XL3, Relief Valve No Cover
RK2-975XL3RVC	Relief Cover Valve Repair Kit, 2" 975XL3, Complete Relief Valve Cover
RK2-975XL3R	Rubber Repair Kit, 2" 975XL3, Diaphragm, Seal Rings and O-Rings
RK14-860XL	1/4" Test Cocks, 4PER, Lead-Free

MODEL 975XL3

Reduced Pressure Principle – Backflow Preventers ½" to 2"

Parts Drawing



MODEL 975XL3

CHECK ASSEMBLY

MODEL 375, 475 and 475V

Reduced Pressure Principle – Backflow Preventers 2 1/2" and 3"



Repair Kit Components		2 1/2"		2 1/2" and 3"							3"
Item #	Item Description	212-BK	RK212-350	RK212-375CK1	RK212-375CK2	RK212-RV375-HOSE	RK212-RV-ASSY	RK212-LBF-VLV-COVER	BRK212-300-SEAT1-RTNR	BRK212-300-SEAT2-RTNR	3-BK
1	Bolt, Flange	•(x8)									•(x8)
2	Nut, Flange	•(x8)									•(x8)
3	Gasket, Flange	•(x2)									•(x2)
4	O-Ring, Relief Valve						•				
5	Relief Valve Assembly						•				
6	Bolt, Relief Valve						•(x2)				
7	Seat Retainer #1			•					•(x6)		
8	Seat Retainer #2				•					•(x6)	
9	O-Ring, Seat		•(x2)	•	•						
10	Nut, Poppet Retainer			•	•						
11	Washer, #1 Check			•							
12	Washer, #2 Check				•						
13	O-Ring, Stem		•(x2)	•	•						
14	Poppet Retainer			•	•						
15	Seal Ring		•(x2)	•	•						
16	Seat Assembly, #1 Poppet			•							
17	Seat Assembly, #2 Poppet				•						
18	Sensing Tube Fitting, Relief Valve Cover					•	•				
19	Sensing Tube Fitting, Body					•					
20	Sensing Tube					•					

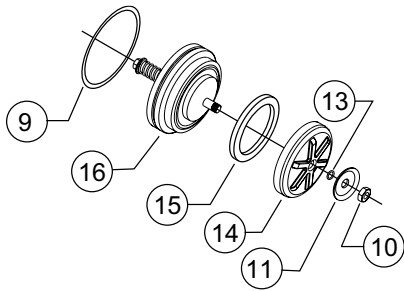
Whole Goods (Available for individual sale)			
Item #	Item Description	2 1/2"	3"
21	Gate Valve, NRS (FxF)	212-48	3-48
	Gate Valve, NRS (GxF)	212-48GXF	3-48GXF
	Gate Valve, OS&Y (FxF)	212-480SY	3-480SY
	Gate Valve, OS&Y (GXF)	212-480SYGXF	3-480SYGXF
	Butterfly Valve (GXF)	212-49GXF	3-49GXF
22	Ball Valve, FxF		12-850XL
23	Ball Valve, MxF		12-850MXL
24	Cover Retainer Assembly		5-23
25	Bulkhead Fitting		RK12-BULKHEAD-M
26	Sensing Bulkhead Fitting		RK12-BULKHEAD-F
27	Cover		RK212-LBF-VLV-COVER

Item No.	Repair Kit Description
2 1/2"	
212-BK	Flanged Kit, 2 1/2"
2 1/2" and 3"	
RK212-350	Rubber Repair Kit, 2 1/2" and 3" 375, 475, and 475V
RK212-375CK1	First Check Assembly Repair Kit, 2 1/2" and 3" 375, 475, and 475V
RK212-375CK2	Second Check Assembly Repair Kit, 2 1/2" and 3" 375, 475, and 475V
RK212-RV375-HOSE	Relief Valve Hose Repair Kit, 2 1/2" and 3" 375, 475, and 475V
RK212-RV-ASSY	Complete Relief Valve Repair Kit, 2 1/2" and 3" 375, 475, and 475V
RK212-LBF-VLV-COVER	Cover Repair Kit, 2 1/2" and 3" 375, 475, and 475V
BRK212-300-SEAT1-RTNR	#1 Check Seat Retainer Bulk Kit, 2 1/2" and 3" 375, 475, and 475V
BRK212-300-SEAT2-RTNR	#2 Check Seat Retainer Bulk Kit, 2 1/2" and 3" 375, 475, and 475V
3"	
3-BK	Flanged Kit, 3"

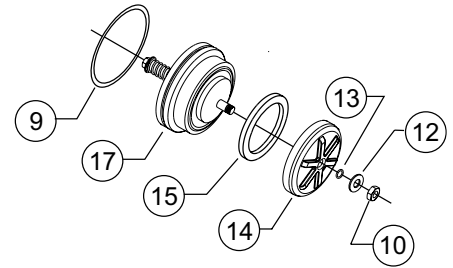
MODEL 375, 475 and 475V

Reduced Pressure Principle – Backflow Preventers 2 1/2" and 3"

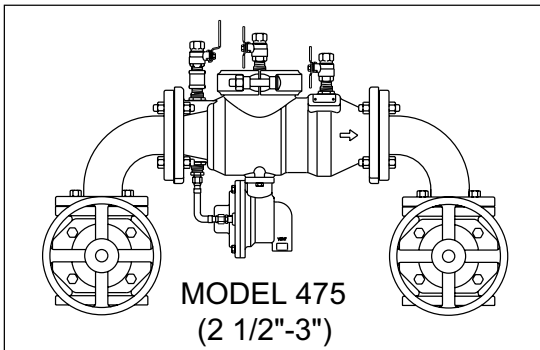
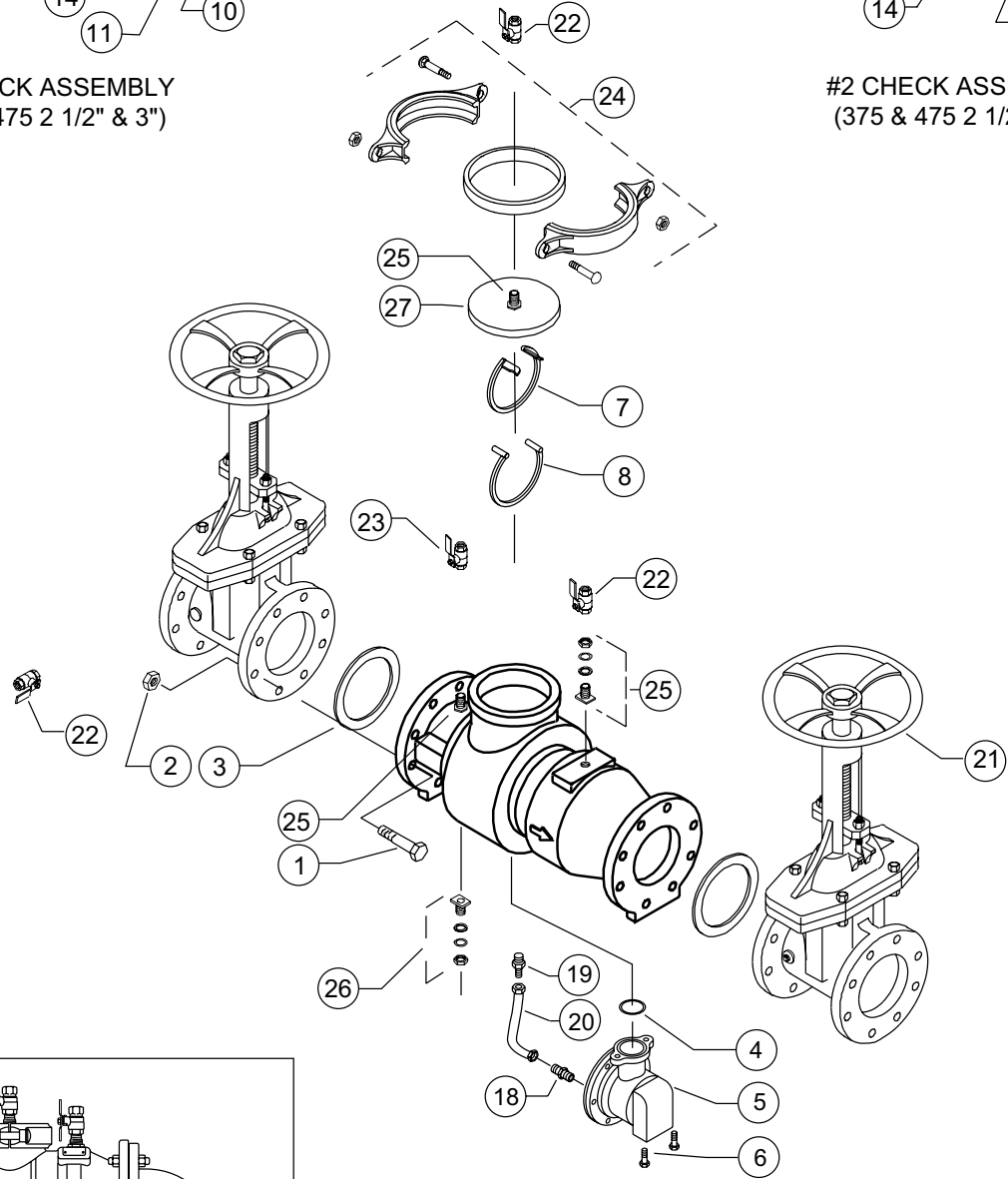
Parts Drawing



#1 CHECK ASSEMBLY
(375 & 475 2 1/2" & 3")



#2 CHECK ASSEMBLY
(375 & 475 2 1/2" & 3")



MODEL 375
(2 1/2"-3")

MODEL 375A and 375



Reduced Pressure Principle – Backflow Preventers 375A (2 1/2" to 10") and 375 (4" to 10")

Repair Kit Components		2 1/2" - 4"						2 1/2 - 6"	4"	6"						8"	8" and 10"				10"		
Size Range		RK212-RV375A-HOSE	RK4-350	RK4-375CK1	RK4-350CK2	BRK4-LBF-SEAT1RTNR	BRK4-LBF-SEAT2RTNR	RK212-RV-ASSY	4-BK	6-BK	RK6-350	RK6-375CK1	RK6-350CK2	BRK6-LBF-SEAT1RTNR	BRK6-LBF-SEAT2RTNR	RK6-RV375-HOSE	8-BK	RK8-350	RK8-375CK1	RK8-350CK2	RK8-RV375-HOSE	RK8-RV-ASSY	10-BK
2 1/2"		•	•	•	•	•	•	•															
3"		•	•	•	•	•	•	•	•														
4"		•	•	•	•	•	•	•															
6"								•		•	•	•	•	•	•								
8"																•	•	•	•	•	•	•	•
10"																		•	•	•	•	•	•

Item #	Item Description																						
1	Bolt, Flange								•(x16)	•(x16)							•(x16)						•(x24)
2	Nut, Flange								•(x16)	•(x16)							•(x16)						•(x24)
3	Gasket, Flange								•(x2)	•(x2)							•(x2)						•(x2)
4	O-Ring, Relief Valve						•																•
5	Relief Valve Assembly						•																•
6	Bolt, Relief Valve						•(x2)																•(x2)
7	Seat Retainer #1			•		•(x6)					•		•(x6)					•(x4)	•(x7)				
8	Seat Retainer #2				•(x2)		•(x12)						•(x2)		•(x12)								
9	O-Ring, Seat	•(x2)		•						•(x2)	•	•					•(x2)						
10	Bolt, Poppet Retainer			•(x4)	•(x4)						•(x4)	•(x4)						•(x6)	•(x6)				
11	Handle, #1 Poppet Assembly			•							•	•											
12	Washer, Poppet Bolt			•(x4)	•(x4)						•(x4)	•(x4)						•(x6)	•(x6)				
13	O-Ring, Poppet Bolt	•(x8)	•(x4)	•(x4)						•(x8)	•(x4)	•(x4)					•(x12)	•(x6)	•(x6)				
14	Poppet Retainer			•	•						•	•						•	•				
15	Seal Ring	•(x2)	•	•						•(x2)	•	•					•(x2)	•	•				
16	Seat Assembly, #1 Poppet			•							•							•					
17	Seat Assembly, #2 Poppet				•							•							•				
18	Sensing Tube Fitting	•					•								•							•	•
19	Pitot Tube Assembly	•													•							•	
20	Sensing Tube	•													•							•	
21	Washer, Seat Retainer																	•(x4)	•(x7)				

Whole Goods (Available for individual sale)							
Item #	Item Description	2 1/2"	3"	4"	6"	8"	10"
22	Gate Valve, NRS (FxF)	212-48	3-48	4-48	6-48	8-48	10-48
	Gate Valve, NRS (GxG)	212-48G	3-48G	4-48G	6-48G	8-48G	10-48G
	Gate Valve, NRS (GxF)	212-48GXF	3-48GXF	4-48GXF	6-48GXF	8-48GXF	10-48GXF
	Gate Valve, OS&Y (FxG)	212-48OSY	3-48OSY	4-48OSY	6-48OSY	8-48OSY	10-48OSY
	Gate Valve, OS&Y (GxG)	212-48OSYG	3-48OSYG	4-48OSYG	6-48OSYG	8-48OSYG	10-48OSYG
	Gate Valve, OS&Y (GxF)	212-48OSYGXF	3-48OSYGXF	4-48OSYGXF	6-48OSYGXF	8-48OSYGXF	10-48OSYGXF
	Butterfly Valve (GxG)	212-49G	3-49G	4-49G	6-49G	8-49G	10-49G
	Butterfly Valve (GxF)	212-49GXF	3-49GXF	4-49GXF	6-49GXF	8-49GXF	10-49GXF
23	Ball Valve, FxF		12-850XL			34-850XL	
24	Ball Valve, MxF		12-850MXL			N/A	
25	Cover Retainer Assembly		5-23	6-23	8-23	12-23	12-23
26	Grooved Coupling	4X212-23	4X3-23	4-23	6-23	8-23	10-23
27	Bulkhead Fitting		RK12-BULKHEAD-M			RK34-BULKHEAD-F	
28	Sensing Line Bulkhead Fitting		RK12-BULKHEAD-F			RK34-BULKHEAD-M	
29	Cover		RK4-LBF-VALVE-COVER		RK6-LBF-VALVE-COVER	RK8-LBF-VALVE-COVER	

Item No.	Repair Kit Description
RK212-RV375A-HOSE	Braided Hose Kit, 2 1/2" - 4" 375A RV
RK4-350	Standard Repair Kit, 2 1/2" - 4" 375A
RK4-375CK1	#1 Check Assembly Repair Kit, 2 1/2" - 4" 375A
RK4-350CK2	#2 Check Assembly Repair Kit, 2 1/2" - 4" 375A
BRK4-LBF-SEAT1RTNR	Bulk #1 Seat Retainer Repair Kit, 2 1/2" - 4" 375A
BRK4-LBF-SEAT2RTNR	Bulk #2 Seat Retainer Repair Kit, 2 1/2" - 4" 375A

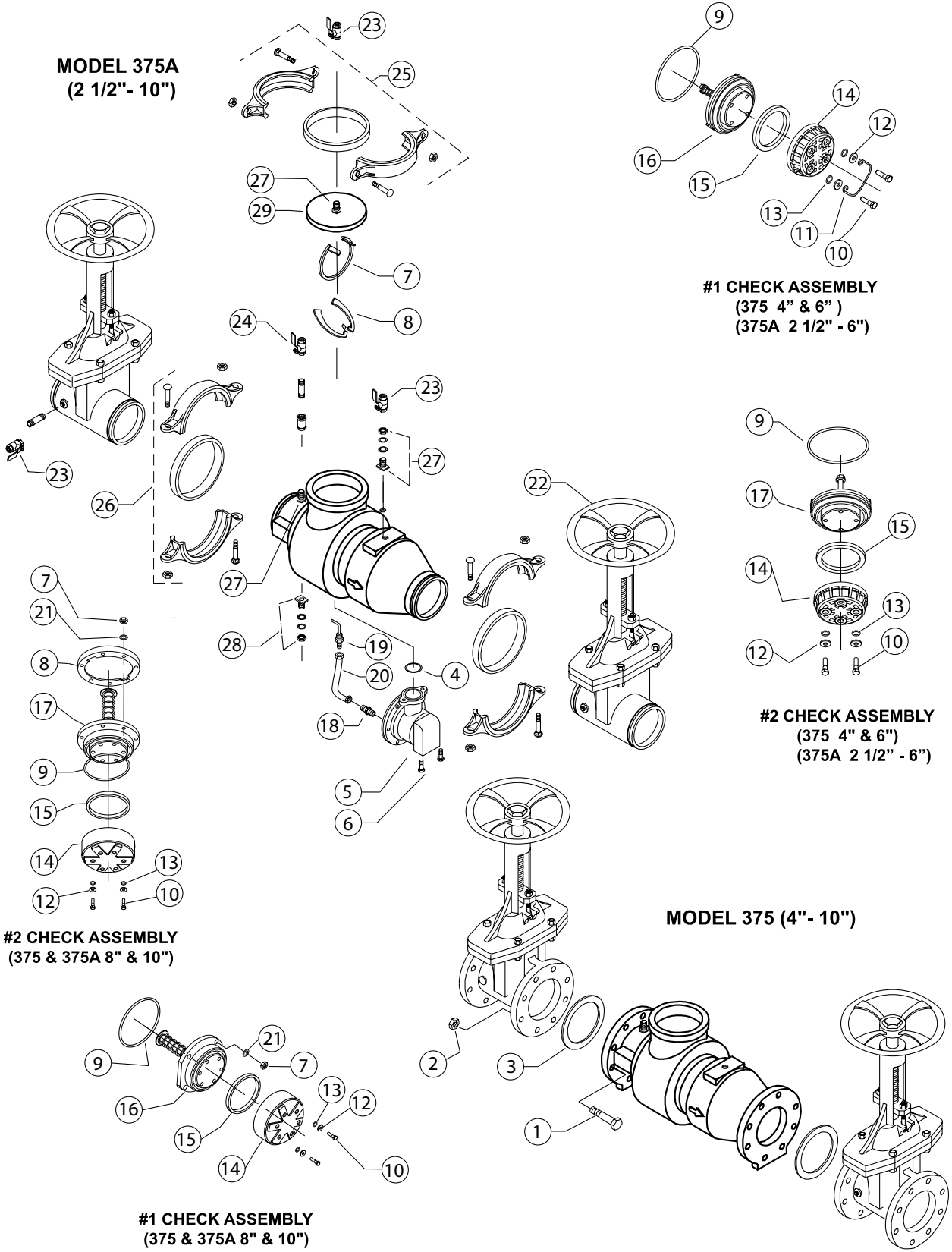
Item No.	Repair Kit Description
RK212-RV-ASSY	Relief Valve Assembly Repair Kit, 2 1/2" - 6" 375A
4"	
4-BK	Flanged Kit, 4"
6"	
6-BK	Flanged Kit, 6"
RK6-350	Standard Repair Kit, 6" 375A
RK6-375CK1	#1 Check Assembly Repair Kit, 6" 375A
RK6-350CK2	#2 Check Assembly Repair Kit, 6" 375A
BRK6-LBF-SEAT1RTNR	Bulk #1 Seat Retainer Repair Kit, 6" 375A

Item No.	Repair Kit Description
BRK6-LBF-SEAT2RTNR	Bulk #2 Seat Retainer Repair Kit, 6" 375A
RK6-RV375-HOSE	Braided Hose Kit, 6" 375A RV
8"	
8-BK	Flanged Kit, 8"
8 - 10"	
RK8-350	Standard Repair Kit, 8" and 10" 375A
RK8-375CK1	#1 Check Assembly Repair Kit, 8" and 10" 375A
RK8-350CK2	#2 Check Assembly Repair Kit, 8" and 10" 375A
RK8-RV375-HOSE	Braided Hose Kit, 8" and 10" 375A Relief Valve
RK8-RV-ASSY	Relief Valve Assembly Repair Kit, 8" and 10" 375A
10"	
10-BK	Flanged Kit, 10"

MODEL 375A and 375

Reduced Pressure Principle – Backflow Preventers 375A (2 1/2" to 10") and 375 (4" to 10")

Parts Drawing



MODEL 375AST



Stainless Steel Reduced Pressure Principle – Backflow Preventers 2 1/2" to 10"

Repair Kit Components		2 1/2"	3" and 4"	2 1/2" - 4"				2 1/2" - 6"	6"						8" and 10"				10"		
Size Range		RK212-350ASTCK2	RK4-350ASTCK2	RK4-350	RK4-375ASTCK1	BRK4-SSLBF-SEATIRTNR	BRK4-SSLBF-SEAT2RTNR	RK212-RV375AST-HOSE	RK212-RV-ASSY	RK6-350	RK6-375ASTCK1	RK6-350ASTCK2	BRK6-SSLBF-SEATIRTNR	RK6-RV375AST-HOSE	BRK6-SSLBF-SEAT2RTNR	RK6-RV375AST-HOSE	RK8-350	RK8-375ASTCK1	RK8-350ASTCK2	RK8-RV-ASSY	RK10-350ASTCK2
2 1/2"		•			•	•	•	•	•												
3"			•	•	•	•	•	•	•												
4"			•	•	•	•	•	•	•												
6"									•	•	•	•	•	•	•						
8"																•	•	•	•	•	•
10"																•	•	•	•	•	•
Item #	Item Description																				
1	O-Ring, Relief Valve							•													•
2	Relief Valve Assembly							•													•
3	Bolt, Relief Valve							•(x2)													•(x2)
4	Seat Retainer #1				•	•(x6)				•	•	•(x6)									
5	Seat Retainer #2		•(x2)				•(x6)							•(x6)							
6	O-Ring, Seat	•	•	•(x2)	•				•(x2)	•	•					•(x2)	•	•			•
7	Bolt, Poppet Retainer	•(x4)	•(x4)		•(x4)					•(x4)	•(x4)							•(x6)	•(x6)		•(x6)
8	Handle, #1 Poppet Assembly				•					•											
9	Washer	•(x4)	•(x4)		•(x4)					•(x4)	•(x4)							•(x6)	•(x6)		•(x6)
10	O-Ring, Retainer	•(x4)	•(x4)	•(x8)	•(x4)				•(x8)	•(x4)	•(x4)					•(x12)	•(x6)	•(x6)			•(x6)
11	Poppet Retainer	•	•		•					•	•							•	•		•
12	Seal Ring	•	•	•(x2)	•				•(x2)	•	•					•(x2)	•	•			•
13	Seat Assembly, #1 Poppet				•					•											•
14	Seat Assembly, #2 Poppet	•	•								•										•
15	Sensing Tube Fitting							•(x2)	•				•(x2)		•(x2)						•
16	Sensing Tube							•					•		•						
17	Washer, Seat Retainer																	•(x4)	•(x7)		•(x7)
18	Nut, Seat Retainer																	•(x4)	•(x7)		•(x7)

Whole Goods (Available for individual sale)

Item #	Item Description	2 1/2"	3"	4"	6"	8"	10"
19	Gate Valve, NRS (FxF)	212-48	3-48	4-48	6-48	8-48	10-48
	Gate Valve, NRS (GXG)	212-48G	3-48G	4-48G	6-48G	8-48G	10-48G
	Gate Valve, NRS (GXF)	212-48GXF	3-48GXF	4-48GXF	6-48GXF	8-48GXF	10-48GXF
	Gate Valve, OS&Y (FxF)	212-48OSY	3-48OSY	4-48OSY	6-48OSY	8-48OSY	10-48OSY
	Gate Valve, OS&Y (GXG)	212-48OSYG	3-48OSYG	4-48OSYG	6-48OSYG	8-48OSYG	10-48OSYG
	Gate Valve, OS&Y (GXF)	212-48OSYGXF	3-48OSYGXF	4-48OSYGXF	6-48OSYGXF	8-48OSYGXF	10-48OSYGXF
20	Ball Valve, FxF	12-850XL	12-850XL	12-850XL	34-850XL	34-850XL	34-850XL
21	Cover Ball Valve	12-850MXL	12-850MXL	12-850MXL	34-850XL	34-850XL	34-850XL
22	Cover Retainer Assembly		6-23		8-23		12-23
23	Grooved Coupling	212-23	3-23	4-23	6-23	8-23	10-23
24	Cover		3509ST-3		3510ST-3		3511ST-3

Item No.	Repair Kit Description
	2 1/2"
RK212-350ASTCK2	#2 Check Assembly Repair Kit, 2 1/2" 375AST
	3" and 4"
RK4-350ASTCK2	#2 Check Assembly Repair Kit, 3" and 4" 375AST
	2 1/2" - 4"
RK4-350	Standard Repair Kit, 2 1/2" - 4" 375AST
RK4-375ASTCK1	#1 Check Assembly Repair Kit, 2 1/2" - 4" 375AST
BRK4-SSLBF-SEATIRTNR	Bulk #1 Seat Retainer Repair Kit, 2 1/2" - 4" 375AST
BRK4-SSLBF-SEAT2RTNR	Bulk #2 Seat Retainer Repair Kit, 2 1/2" - 4" 375AST
RK212-RV375AST-HOSE	Braided Hose Kit, 2 1/2" - 4" 375AST RV
	2 1/2" - 6"
RK212-RV-ASSY	Relief Valve Assembly Repair Kit, 2 1/2" - 6" 375AST

Item No.	Repair Kit Description
	6"
RK6-350	Standard Repair Kit, 6" 375AST
RK6-375ASTCK1	#1 Check Assembly Repair Kit, 6" 375AST
RK6-350ASTCK2	#2 Check Assembly Repair Kit, 6" 375AST
BRK6-SSLBF-SEATIRTNR	Bulk #1 Seat Retainer Repair Kit, 6" 375AST
RK6-RV375AST-HOSE	Braided Hose Kit, 6" 375AST RV
BRK6-SSLBF-SEAT2RTNR	Bulk #2 Seat Retainer Repair Kit, 6" 375AST
	8" and 10"
RK8-RV375AST-HOSE	Braided Hose Kit, 8" and 10" 375AST RV
RK8-350	Standard Repair Kit, 8" and 10" 375AST
RK8-375ASTCK1	#1 Check Assembly Repair Kit, 8" and 10" 375AST
RK8-350ASTCK2	#2 Check Assembly Repair Kit, 8" and 10" 375AST
RK8-RV-ASSY	Relief Valve Assembly Repair Kit, 8" and 10" 375AST
	10"
RK10-350ASTCK2	#2 Check Assembly Repair Kit, 10" 375AST

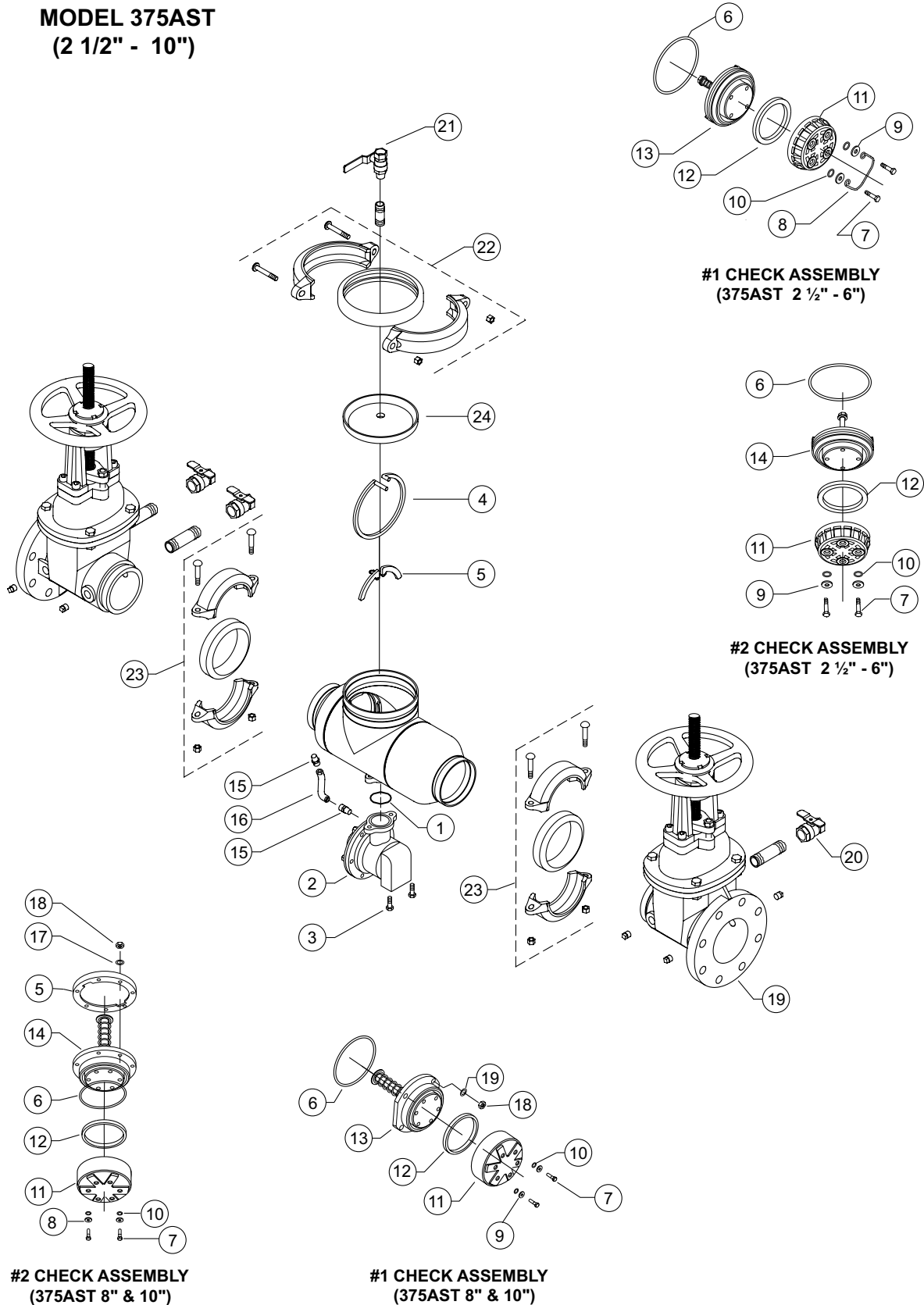
MODEL 375AST

Stainless Steel Reduced Pressure Principle – Backflow Preventers 2 1/2" to 10"

Parts Drawing



MODEL 375AST (2 1/2" - 10")



**#1 CHECK ASSEMBLY
(375AST 2 1/2" - 6")**

**#2 CHECK ASSEMBLY
(375AST 2 1/2" - 6")**

**#2 CHECK ASSEMBLY
(375AST 8" & 10")**

**#1 CHECK ASSEMBLY
(375AST 8" & 10")**

MODEL 475 and 475V

Reduced Pressure Principle – Backflow Preventers 4" to 10"



Repair Kit Components		4"					4" and 6"		6"				8" and 10"					4" - 10"	
Size Range		RK4-350	RK4-375CK1	RK4-350CK2	BRK4-LBF-SEAT1RTNR	BRK4-LBF-SEAT2RTNR	RK4-RV475-HOSE	RK212-RV475-ASSY	RK6-350	RK6-375CK1	RK6-350CK2	BRK6-LBF-SEAT1RTNR	BRK6-LBF-SEAT2RTNR	RK8-350	RK8-375CK1	RK8-350CK2	RK8-RV475-HOSE	RK8-RV475-ASSY	RK4-475-TUBE-ASSY
4"		•	•	•	•	•	•	•											•
6"							•	•	•	•	•	•							•
8"														•	•	•	•	•	•
10"														•	•	•	•	•	•
Item #	Item Description																		
1	Relief Valve Elbow							•											•
2	O-Ring, Elbow/Relief Valve							•(x2)											•(x2)
3	Bolt, Elbow/Relief Valve							•(x4)											•(x4)
4	Seat Retainer Assembly #1		•		•(x6)				•		•(x6)			•(x4)	•(x7)				
5	Seat Retainer Assembly #2			•		•(x6)				•		•(x6)							
6	O-Ring, Seat Assembly	•(x2)	•	•				•(x2)	•	•			•(x2)	•	•				
7	Bolt, Poppet Retainer		•(x4)	•(x4)					•(x4)	•(x4)				•(x6)	•(x6)				
8	Handle, #1 Poppet Assembly		•						•										
9	Washer, Poppet Retainer		•(x4)	•(x4)					•(x4)	•(x4)				•(x6)	•(x6)				
10	O-Ring, Poppet Retainer	•(x8)	•(x4)	•(x4)				•(x8)	•(x4)	•(x4)			•(x12)	•(x6)	•(x6)				
11	Poppet Retainer		•	•					•	•				•	•				
12	Seal Ring	•(x2)	•	•				•(x2)	•	•			•(x2)	•	•				
13	Seat Assembly #1 Poppet		•						•					•					
14	Seat Assembly #2 Poppet			•						•					•				
15	Relief Valve Assembly							•										•	
16	Pitot Tube Assembly																		•
17	Sensing Tube						•										•		
18	Elbow						•										•		
19	Nipple						•										•		
20	Washer, Seat Retainer													•(x4)	•(x7)				

Whole Goods (Available for individual sale)

Item #	Item Description	4"	6"	8"	10"
21	Gate Valve, NRS (GXG)	4-48G	6-48G	8-48G	10-48G
	Gate Valve, NRS (GXF)	4-48GXF	6-48GXF	8-48GXF	10-48GXF
	Gate Valve, OS&Y (GXG)	4-48OSYG	6-48OSYG	8-48OSYG	10-48OSYG
	Gate Valve, OS&Y (GXF)	4-48OSYGXF	6-48OSYGXF	8-48OSYGXF	10-48OSYGXF
	Butterfly Valve (GxG)	4-49G	6-49G	8-49G	10-49G
	Butterfly Valve (GXF)	4-49GXF	6-49GXF	8-49GXF	10-49GXF
22	Ball Valve, FxF	12-850XL		34-850XL	
23	Cover Retainer Assembly	6-23	8-23		12-23
24	Bulkhead Fitting Assembly	RK12-BULKHEAD-M		RK34-BULKHEAD-F	
25	Sensing Bulkhead Fitting	RK12-BULKHEAD-F		RK34-BULKHEAD-M	
26	Grooved Coupling	4-23	6-23	8-23	10-23
27	Cover	RK4-LBF-VALVE-COVER		RK8-LBF-VALVE-COVER	

Item No.	Repair Kit Description
4"	
RK4-350	Standard Repair Kit, 4" 475 and 475V
RK4-375CK1	#1 Check Assembly Repair Kit, 4" 475 and 475V
RK4-350CK2	#2 Check Assembly Repair Kit, 4" 475 and 475V
BRK4-LBF-SEAT1RTNR	Bulk #1 Seat Retainer Repair Kit, 4" 475 and 475V
BRK4-LBF-SEAT2RTNR	Bulk #2 Seat Retainer Repair Kit, 4" 475 and 475V
4" and 6"	
RK4-RV475-HOSE	Braided Hose Repair Kit, 4" and 6" 475 and 475V
RK212-RV-ASSY	Relief Valve Assembly Repair Kit, 4" and 6" 475 and 475V

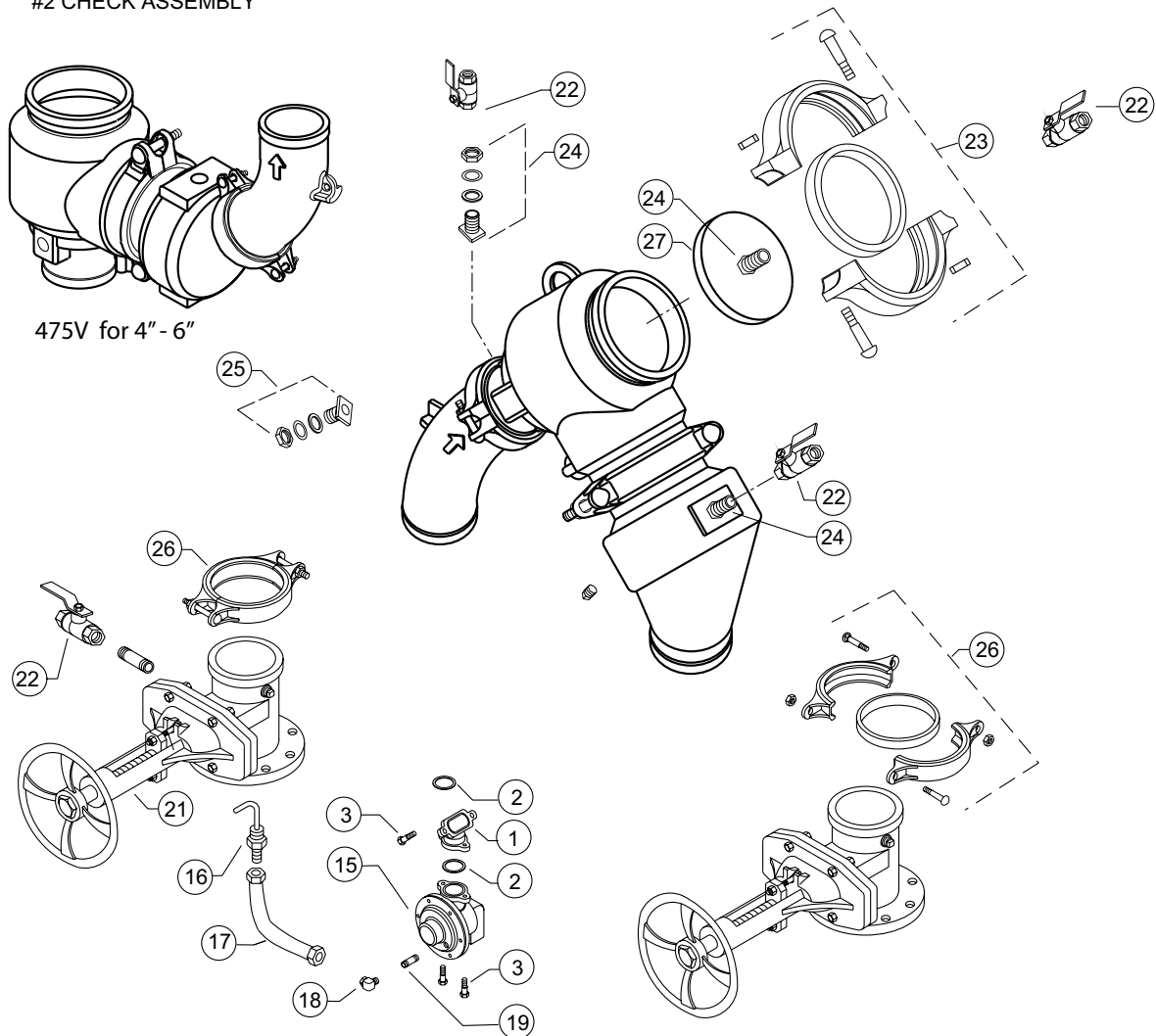
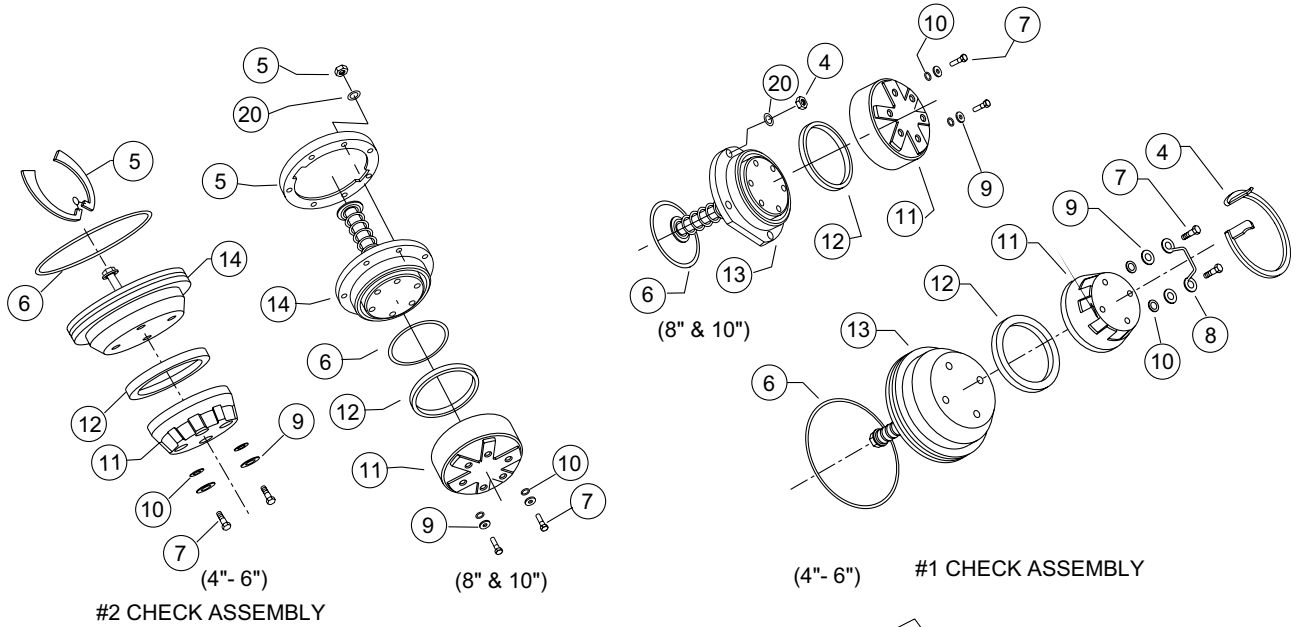
Item No.	Repair Kit Description
6"	
RK6-350	Standard Repair Kit, 6" 475 and 475V
RK6-375CK1	#1 Check Assembly Repair Kit, 6" 475 and 475V
RK6-350CK2	#2 Check Assembly Repair Kit, 6" 475 and 475V
BRK6-LBF-SEAT1RTNR	Bulk #1 Seat Retainer Repair Kit, 6" 475 and 475V
BRK6-LBF-SEAT2RTNR	Bulk #2 Seat Retainer Repair Kit, 6" 475 and 475V

Item No.	Repair Kit Description
8" and 10"	
RK8-350	Standard Repair Kit, 8" and 10" 475 and 475V
RK8-375CK1	#1 Check Assembly Repair Kit, 8" and 10" 475 and 475V
RK8-350CK2	#2 Check Assembly Repair Kit, 8" and 10" 475 and 475V
RK8-RV475-HOSE	Braided Hose Repair Kit, 8" and 10" 475 and 475V
RK8-RV475-ASSY	Relief Valve Assembly Repair Kit, 8" and 10" 475 and 475V
4" - 10"	
RK4-475-TUBE-ASSY	Pitot Tube Assembly Repair Kit, 4" - 10" 475 and 475V

MODEL 475 and 475V

Reduced Pressure Principle – Backflow Preventers 4" to 10"

Parts Drawing



MODEL 475ST

Reduced Pressure Principle – Backflow Preventers 4" to 10"



Repair Kit Components		4"						4" and 6"	4" and 8"	6"						6" and 10"	8"			8" and 10"			10"		
Size Range		RK4-350	RK4-375ASTCK1	RK4-450STCK4	RK4-475STR-RVELBOW	RK4-475STR-RVELBOW	BRK4-SSLBF-SEATIRTNR	RK212-RV-ASSY	RK4-RV475ST-HOSE	RK6-350	RK6-375ASTCK1	RK6-450STCK4	RK6-475STR-RVELBOW	RK6-475STR-RVELBOW	BRK6-SSLBF-SEATIRTNR	RK6-RV475ST-HOSE	RK8-475STR-RVELBOW	RK8-475STR-RVELBOW	RK8-350	RK8-450STCK1	RK8-475STCK1	RK8-RV-ASSY	RK10-475STR-RVELBOW	RK10-475STR-RVELBOW	
4"		•	•	•	•	•	•	•																	
6"								•	•	•	•	•	•	•	•										
8"									•							•	•	•	•	•	•	•	•	•	
10"															•	•	•	•	•	•	•	•	•	•	
Item #	Item Description																								
1	O-Ring, Relief Valve				•	•		•					•	•			•	•					•	•	•
2	Relief Valve Elbow				•	•							•	•			•	•						•	•
3	O-Ring, Relief Valve Elbow				•	•							•	•			•	•						•	•
4	Relief Valve Assembly							•															•	•	
5	Bolt, Relief Valve							•(x2)															•(x2)	•	
6	Seat Retainer		•	•			•(x6)				•	•			•(x6)										
7	O-Ring, Seat	•(x2)	•	•					•(x2)	•	•							•(x2)	•	•					
8	Bolt, Poppet Retainer		•(x4)	•(x4)						•(x4)	•(x4)									•(x6)	•(x6)				
9	Handle, Poppet Assembly		•	•							•	•									•	•			
10	Washer		•(x4)	•(x4)						•(x4)	•(x4)										•(x6)	•(x6)			
11	O-Ring, Retainer	•(x8)	•(x4)	•(x4)					•(x8)	•(x4)	•(x4)							•(x12)	•(x6)	•(x6)					
12	Poppet Retainer		•	•							•	•											•	•	
13	Seal Ring	•(x2)	•	•					•(x2)	•	•							•(x2)	•	•					
14	Seat Assembly, #1 Poppet		•								•												•	•	
15	Seat Assembly, #2 Poppet			•							•														
16	Sensing Tube Fitting							•															•	•	
17	Sensing Tube				•	•						•	•			•	•						•	•	
18	Washer, Seat Retainer																			•(x4)	•(x4)				
19	Nut, Seat Retainer																			•(x4)	•(x4)				
20	Elbow										•														
21	Nipple										•														
22	Grooved Coupling, Body					•							•											•	
	Spool					•							•											•	

Whole Goods (Available for individual sale)

Item #	Item Description	4"	6"	8"	10"
23	Gate Valve, NRS (GXG)	4-48G	6-48G	8-48G	10-48G
	Gate Valve, NRS (GXF)	4-48GXF	6-48GXF	8-48GXF	10-48GXF
	Gate Valve, OS&Y (GXG)	4-48OSYG	6-48OSYG	8-48OSYG	10-48OSYG
	Gate Valve, OS&Y (GXF)	4-48OSYGXF	6-48OSYGXF	8-48OSYGXF	10-48OSYGXF
	Butterfly Valve (GXG)	4-49G	6-49G	8-49G	10-49G
	Butterfly Valve (GXF)	4-49GXF	6-49GXF	8-49GXF	10-49GXF
24	Grooved Coupling, Cover	6-23	8-23		
25	Ball Valve, Cover	12-850MXL		N/A	12-23
26	Ball Valve, FxF	12-850XL		34-850XL	
22	Grooved Coupling, Body	4-23	6-23	8-23	10-23
27	Cover	3509ST-3	3510ST-3		3511ST-3

Item No.	Repair Kit Description
4"	
RK4-350	Rubber Kit, 4"
RK4-375ASTCK1	#1 Check Assembly Kit, 4"
RK4-450STCK4	#2 Check Assembly Kit, 4"
RK4-475STR-RVELBOW	400STR to Standard Conversion Kit, 4"
RK4-475STR-RVELBOW	Standard to 400STR Conversion Kit, 4"
BRK4-SSLBF-SEATIRTNR	Bulk Seat Retainer Kit, 4"
4" and 6"	
RK212-RV-ASSY	Relief Assembly Kit, 4" and 6"
4" and 8"	
RK4-RV475ST-HOSE	Relief Valve Hose Kit, 4" and 8"

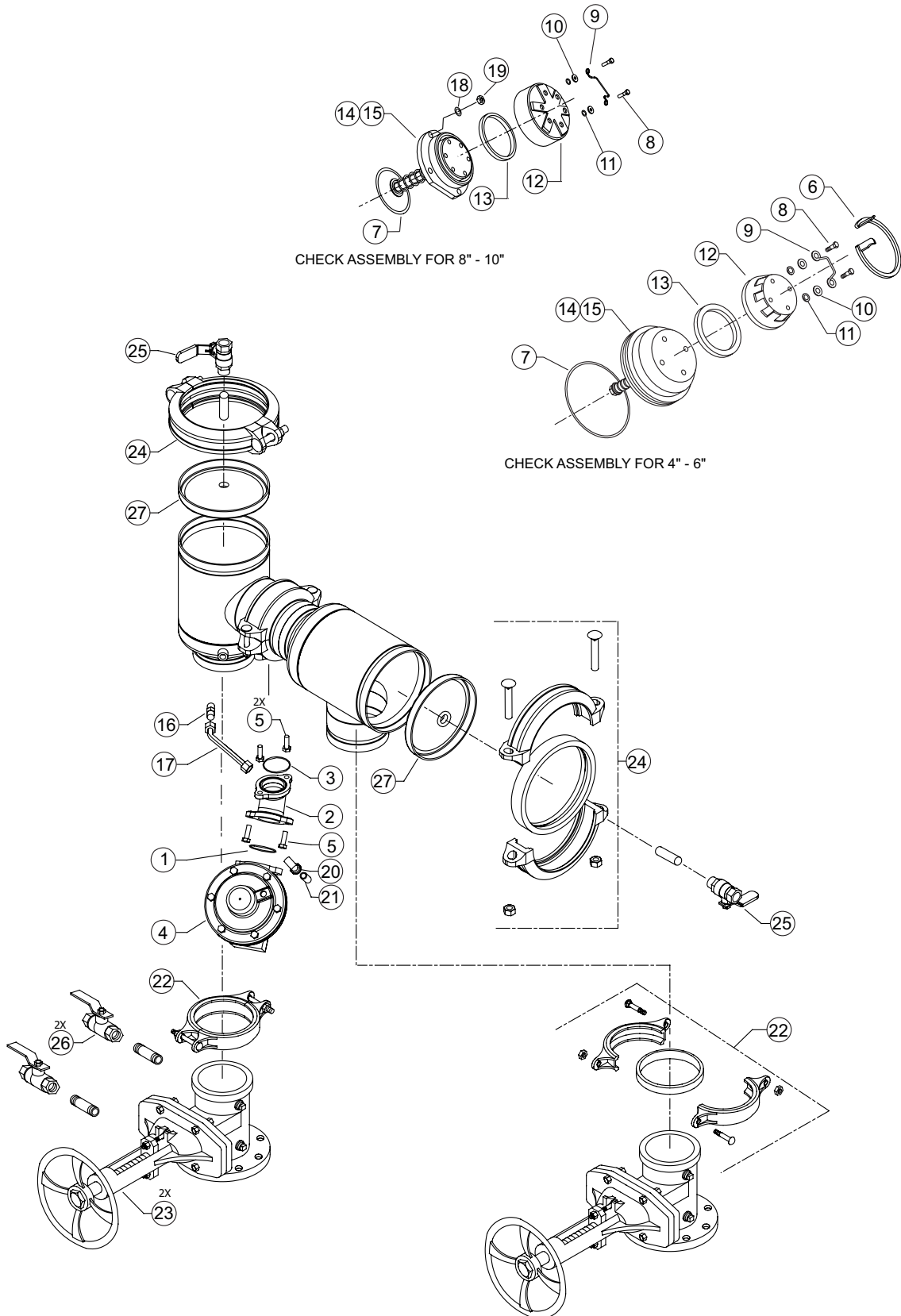
Item No.	Repair Kit Description
6"	
RK6-350	Rubber Kit, 6"
RK6-375ASTCK1	#1 Check Assembly Kit, 6"
RK6-450STCK4	#2 Check Assembly Kit, 6"
RK6-475STR-RVELBOW	400STR to Standard Conversion Kit, 6"
RK6-475STR-RVELBOW	Standard to 400STR Conversion Kit, 6"
BRK6-SSLBF-SEATIRTNR	Bulk Seat Retainer Kit, 6"
6" and 10"	
RK6-RV475ST-HOSE	Relief Valve Hose Kit, 6" and 10"
8"	
RK8-475STR-RVELBOW	400STR to Standard Conversion Kit, 8"
RK8-475STR-RVELBOW	Standard to 400STR Conversion Kit, 8"

Item No.	Repair Kit Description
8" and 10"	
RK8-350	Rubber Kit, 8" and 10"
RK8-475STCK1	#1 Check Assembly Kit, 8" and 10"
RK8-450STCK1	#2 Check Assembly Kit, 8" and 10"
RK8-RV-ASSY	Relief Assembly Kit, 8" and 10"
10"	
RK10-475STR-RVELBOW	400STR to Standard Conversion Kit, 10"
RK10-475STR-RVELBOW	Standard to 400STR Conversion Kit, 10"

MODEL 475ST

Reduced Pressure Principle – Backflow Preventers 4" to 10"

Parts Drawing



RELIEF VALVE - 2 1/2" to 10"



Models 375, 375A, 375AST, 475 and 475V

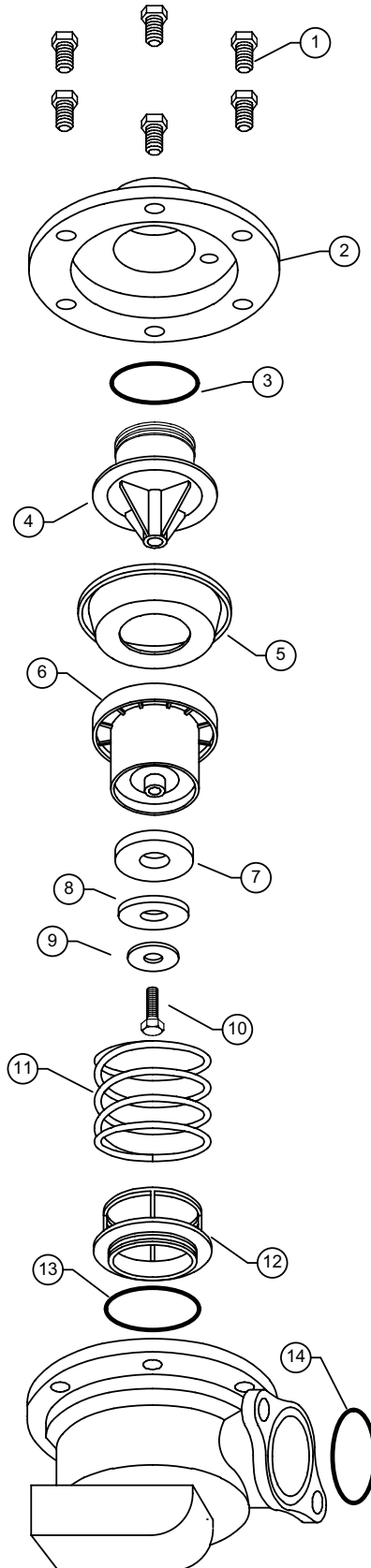
Repair Kit Components		2 1/2" - 6"					8" and 10"			
Item #	Item Description	RK212-375	RK212-375R	RK212-375RVCI	RK212-RV-COVER	RK212-RV-PLUNGER	RK8-375	RK8-375R	RK8-375RVCI	RK8-RV-COVER
1	Bolt, Cover				● (x6)					● (x6)
2	Cover				●					●
3	O-Ring, Upper Plunger	●	●	●			●	●	●	
4	Upper Plunger			●		●			●	
5	Diaphragm	●	●	●			●	●	●	
6	Lower Plunger			●		●			●	
7	Seal Ring	●	●	●			●	●	●	
8	Seal Retainer			●					●	
9	Washer			●					●	
10	Bolt			●					●	
11	Relief Valve Spring	●		●			●		●	
12	Relief Valve Seat			●					●	
13	O-Ring, Relief Valve Seat	●	●	●		●	●	●	●	
14	O-Ring, Relief Valve	●	●	●			●	●	●	
	Sensing Tube Fitting				●					●

Item No.	Repair Kit Description
2 1/2" - 6"	
RK212-375	Complete Relief Valve Repair Kit, 2 1/2" - 6"
RK212-375R	Relief Valve Rubber Repair Kit, 2 1/2" - 6"
RK212-375RVCI	Relief Valve Complete Internals Repair Kit, 2 1/2" - 6"
RK212-RV-COVER	Relief Valve Cover Repair Kit 2 1/2" - 6"
RK212-RV-PLUNGER	Relief Valve Plunger Repair Kit 2 1/2" - 6"
8" and 10"	
RK8-375	Complete Relief Valve Repair Kit, 8" and 10"
RK8-375R	Relief Valve Rubber Repair Kit, 8" and 10"
RK8-375RVCI	Relief Valve Complete Internals Repair Kit, 8" and 10"
RK8-RV-COVER	Relief Valve Cover Repair Kit 8" and 10"

RELIEF VALVE - 2 1/2" to 10"

Models 375, 375A, 375AST, 475 and 475V

Parts Drawing



MODEL 710

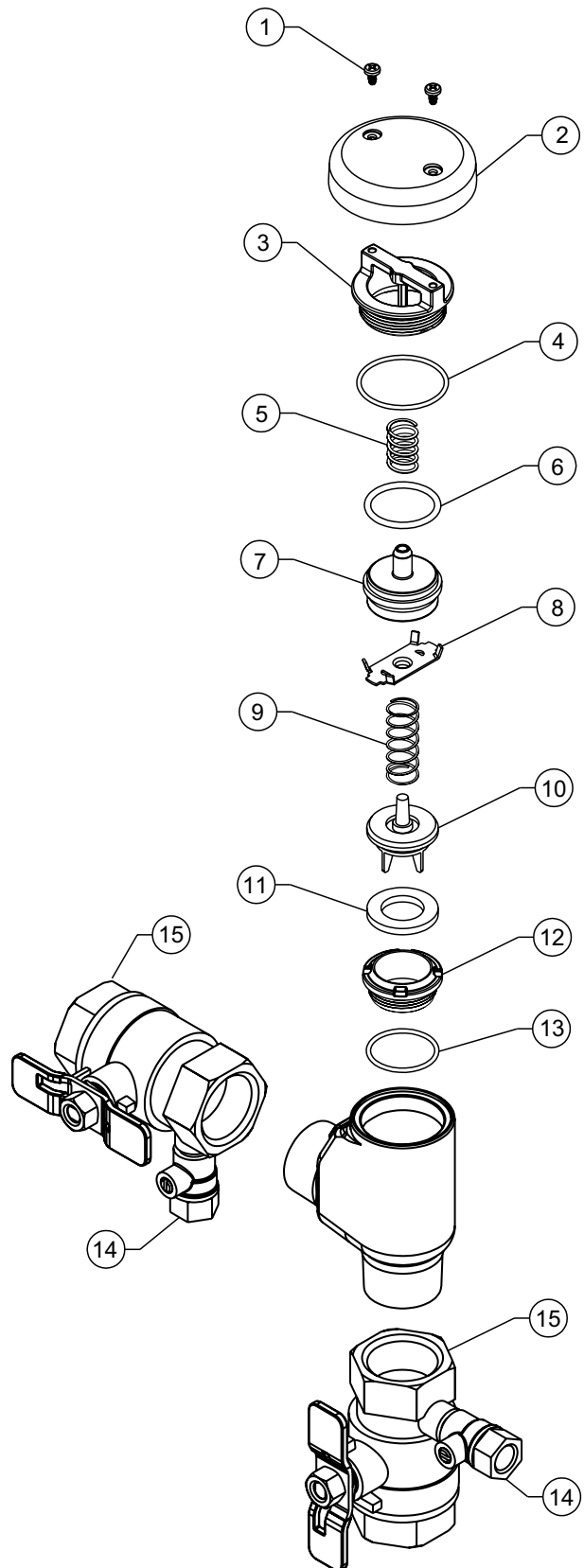
Pressure Vacuum Breakers – 3/4" to 1"



Repair Kit Components		3/4" and 1"	
Item #	Item Description	RK34-710	RK34-710B
1	Canopy Screw		● (x2)
2	Canopy		●
3	Bonnet		●
4	O-Ring, Bonnet	●	●
5	Float Spring	●	
6	O-Ring, Float	●	
7	Float	●	
8	Spring Retainer	●	
9	Check Spring	●	
10	Poppet	●	
11	Seal Ring	●	
12	Seat	●	
13	O-Ring, Seat	●	

Whole Goods (Available for individual sale)			
Item #	Item Description	3/4"	1"
14	Test Cock	RK18-860XL	
15	Ball Valve, Tapped	34-850T	1-850T

Item No.	Repair Kit Description
	3/4" and 1"
RK34-710	Standard Repair Kit, 3/4" and 1" 710
RK34-710B	Bonnet Repair Kit, 3/4" and 1" 710

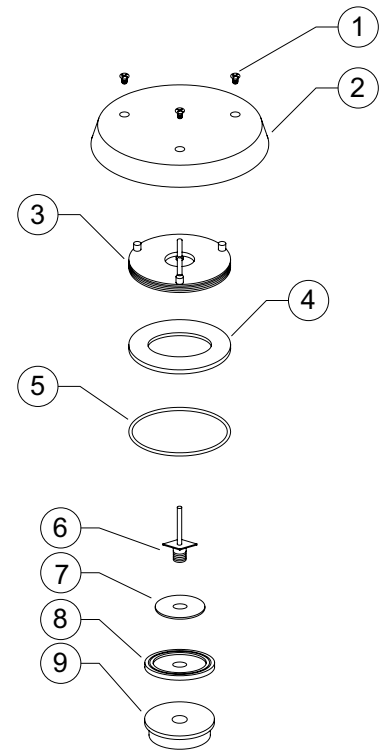


MODEL 720A

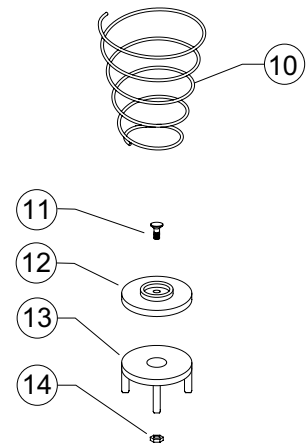
Pressure Vacuum Breakers - 1/2" to 1"



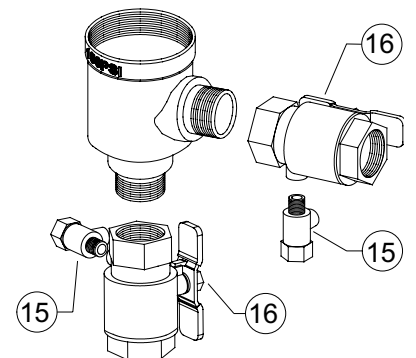
Repair Kit Components		1/2" - 1"		
Item #	Item Description	RK1-720A	RK1-720AB	RK1-720AP
1	Screw, Canopy		● (x3)	
2	Canopy		●	
3	Bonnet		●	
4	Washer, Bonnet	●	●	
5	O-Ring, Bonnet	●	●	●
6	Load Nut and Guide	●		●
7	Load Washer	●		●
8	Disc, Upper	●		●
9	Poppet	●		●
10	Spring	●		
11	Screw, Spider	●		
12	Disc, Lower	●		
13	Guide Spider	●		
14	Nut, Hex	●		



Whole Goods (Available for individual sale)				
Item #	Item Description	1/2"	3/4"	1"
15	Test Cock		RK18-860XL	
16	Ball Valve, Tapped	12-850T	34-850T	1-850T



Item No.	Repair Kit Description
	1/2" - 1"
RK1-720A	Complete Repair Kit, 1/2 - 1" 720A
RK1-720AB	Bonnet Repair Kit, 1/2 - 1" 720A
RK1-720AP	Poppet Repair Kit, 1/2 - 1" 720A

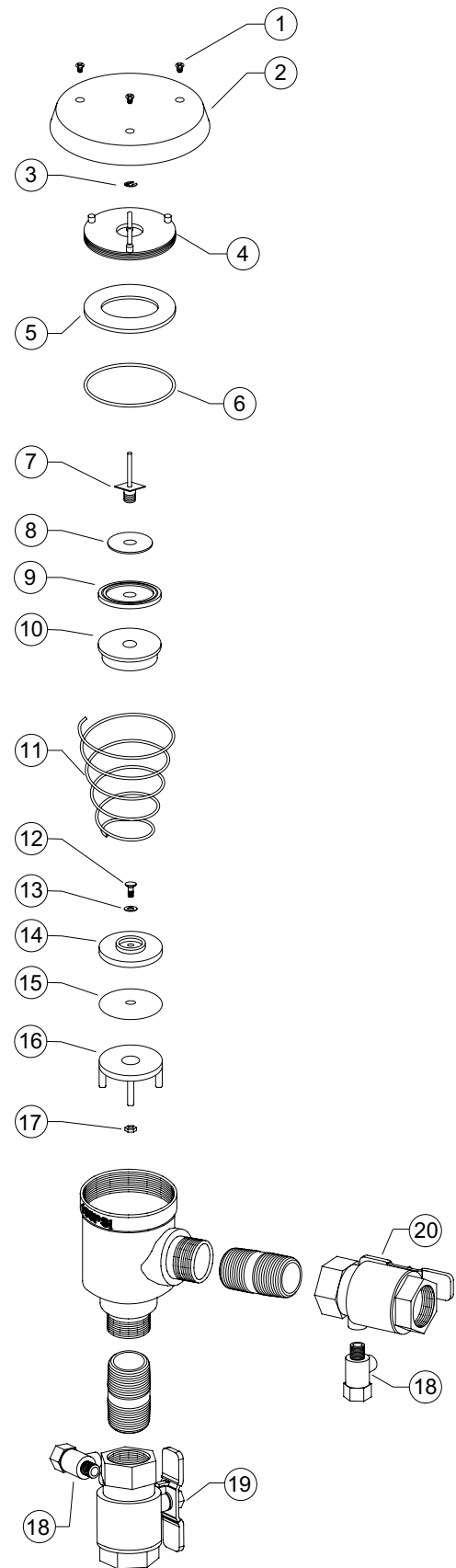


MODEL 720A

Pressure Vacuum Breakers – 1 1/4" to 2"



Repair Kit Components		1 1/4" - 2"	
Item #	Item Description	RK2-720A	RK114-720A-BONNET
1	Screw, Canopy		•
2	Canopy		•
3	Retainer Ring		•
4	Bonnet		•
5	Washer, Bonnet	•	
6	O-Ring, Bonnet	•	
7	Load Nut and Guide	•	
8	Load Washer	•	
9	Disc, Upper	•	
10	Poppet	•	
11	Spring	•	
12	Screw, Spider	•	
13	Washer, Lower Disc	•	
14	Disc, Lower	•	
15	Washer, Spider	•	
16	Guide Spider	•	
17	Nut, Hex	•	



Whole Goods (Available for individual sale)

Item #	Item Description	1 1/4"	1 1/2"	2"
18	Test Cock		RK14-860XL	
19	Ball Valve, Tapped	114-850T	112-850T	2-850T

Item No.	Repair Kit Description
1 1/4" - 2"	
RK2-720A	Complete Repair Kit, 1 1/4 - 2" 720A
RK114-720A-BONNET	Bonnet Repair Kit, 1 1/4 - 2" 720A

MODEL 420XL and 420

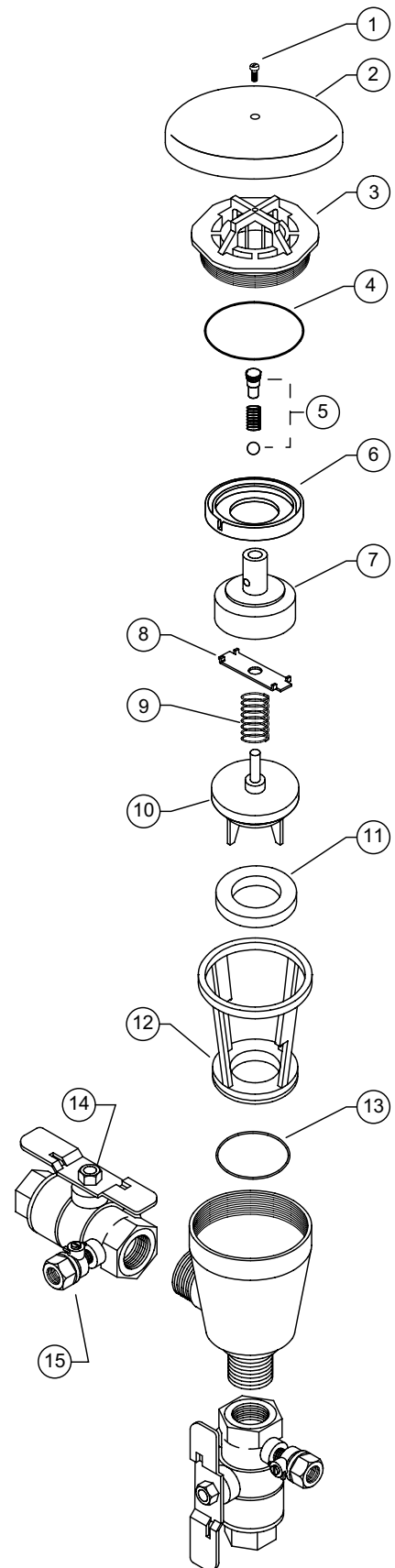
Pressure Vacuum Breakers – 1/2" and 3/4"



Repair Kit Components		1/2" and 3/4"		
Item #	Item Description	RK12-420	RK12-420R	RK12-420FK
1	Screw, Canopy	•		
2	Canopy	•		
3	Bonnet	•		•
4	O-Ring, Bonnet	•	•	•
5	Relief Valve Assembly	•		•
6	Air Inlet Disc	•	•	•
7	Float	•		•
8	Spring Retainer	•		
9	Spring, Check	•		
10	Poppet	•		•
11	Seal Ring	•	•	•
12	Seat	•		
13	O-Ring, Seat	•	•	

Whole Goods (Available for individual sale)			
Item #	Item Description	1/2"	3/4"
14	Ball Valve, Tapped	12-850TXL	34-850TXL
15	Test Cock	RK18-860XL	

Item No.	Repair Kit Description
1/2" and 3/4"	
RK12-420	Complete Repair Kit, 1/2" and 3/4" 420XL
RK12-420R	Rubber Repair Kit, 1/2" and 3/4" 420XL
RK12-420FK	Freeze Repair Kit, 1/2" and 3/4" 420XL



MODEL 420XL and 420

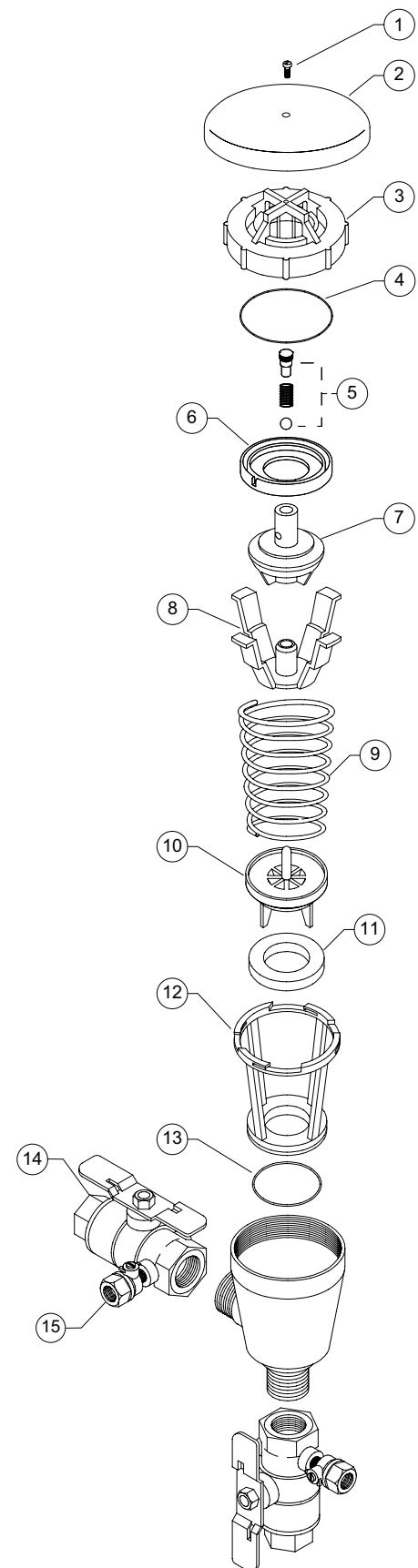
Pressure Vacuum Breakers – 1"



Repair Kit Components		1"		
Item #	Item Description	RK1-420	RK1-420R	RK1-420FK
1	Screw, Canopy	•		
2	Canopy	•		
3	Bonnet	•		•
4	O-Ring, Bonnet	•	•	•
5	Relief Valve Assembly	•		•
6	Air Inlet Disc	•	•	•
7	Float	•		•
8	Spring Retainer	•		
9	Spring, Check	•		
10	Poppet	•		•
11	Seal Ring	•	•	•
12	Seat	•		
13	O-Ring, Seat	•	•	

Whole Goods (Available for individual sale)		
Item #	Item Description	1"
14	Ball Valve, Tapped	1-850TXL
15	Test Cock	RK18-860XL

Item No.	Repair Kit Description
	1"
RK1-420	Complete Repair Kit, 1" 420XL
RK1-420R	Rubber Repair Kit, 1" 420XL
RK1-420FK	Freeze Repair Kit, 1" 420XL



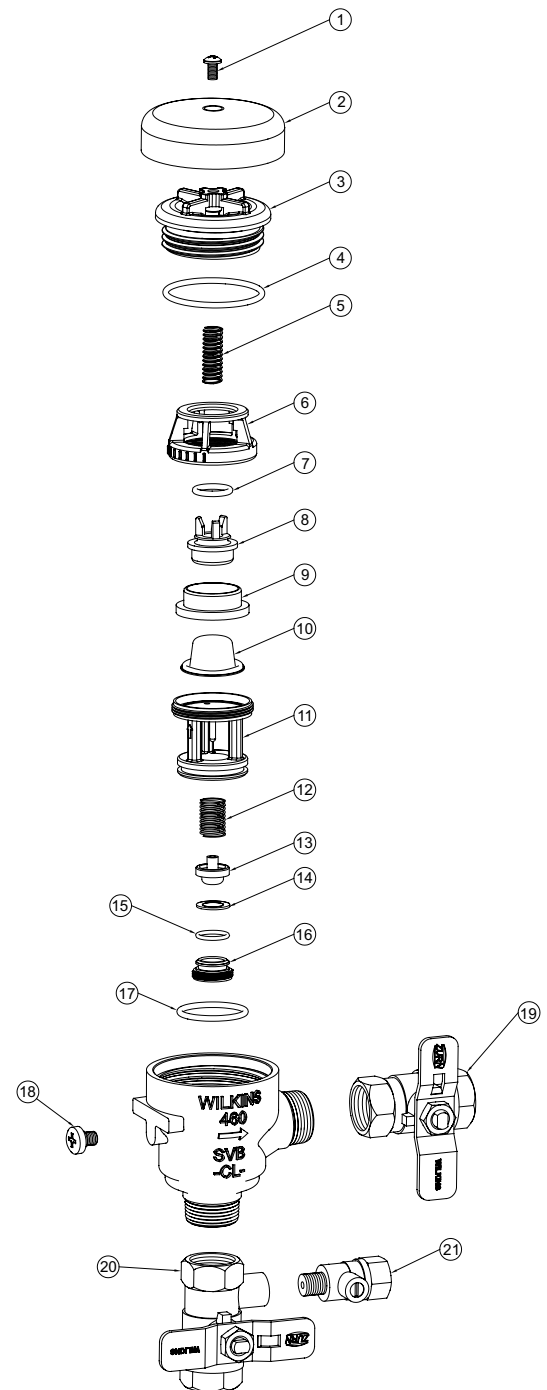
MODEL 460XL and 460

Spill Resistant Pressure Vacuum Breaker – 3/8" to 1"

Repair Kit Components		3/8" and 1/2"		3/4" and 1"	
Item #	Item Description	RK12-460	RK12-460R	RK1-460	RK1-460R
1	Screw, Canopy	•		•	
2	Canopy	•		•	
3	Bonnet	•		•	
4	O-Ring, Bonnet	•	•	•	•
5	Spring, Vent	•		•	
6	Vent Cage	•		•	
7	O-Ring, Vent Poppet	•		•	
8	Poppet, Vent	•	•	•	•
9	Thrust Washer	•		•	
10	Diaphragm	•	•	•	•
11	Check Cage	•		•	
12	Spring, Check	•		•	
13	Poppet, Check	•		•	
14	Seal Ring	•	•	•	•
15	O-Ring, Seat	•	•	•	•
16	Seat	•		•	
17	O-Ring, Check Cage	•	•	•	•
18	Screw, Bleed	•		•	

Whole Goods (Available for individual sale)					
Item #	Item Description	3/8"	1/2"	3/4"	1"
19	Ball Valve, Outlet	38-850XL	12-850XL	34-850XL	1-850XL
20	Ball Valve, Inlet	38-850TXL	12-850TXL	34-850TXL	1-850TXL
21	Test Cock	RK18-860XL			

Item No.	Repair Kit Description
3/8" and 1/2"	
RK12-460	Complete Repair Kit, 3/8" and 1/2" 460XL
RK12-460R	Rubber Repair Kit, 3/8" and 1/2" 460XL
3/4" and 1"	
RK1-460	Complete Repair Kit, 3/4" and 1" 460XL
RK1-460R	Rubber Repair Kit, 3/4" and 1" 460XL

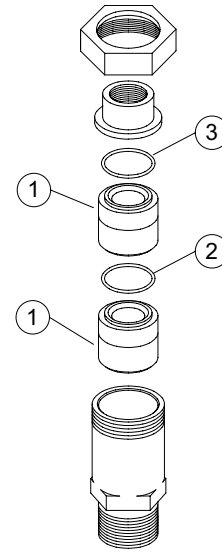


MODEL 700XL and 700

Dual Check Valve – ¼" to 1"



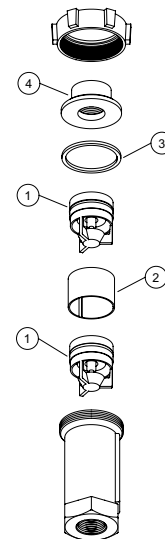
Repair Kit Components		1/4" - 1/2"	3/4" and 1"
Item #	Item Description	RK14-700	RK34-700
1	Poppet Assembly	●	●
2	O-Ring, Poppet	●	●
3	Washer/O-Ring	●	●



MODEL 700XLFP and 700FP

High Capacity Dual Check Valve – 1" to 1 ½"

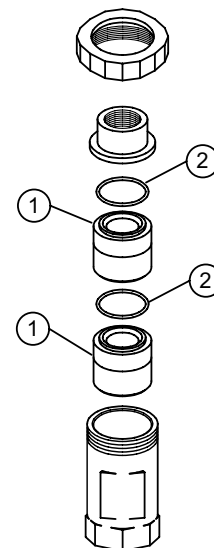
Repair Kit Components		1" - 1 1/2"
Item #	Item Description	RK1-700FP
1	Poppet Assembly	● (x2)
2	Sleeve	●
3	Union Gasket	●



MODEL 705

Dual Check Valve – ¾" and 1"

Repair Kit Components		¾" and 1"
Item #	Item Description	RK34-700
1	Poppet Assembly	● (x2)
2	O-Ring, Poppet	● (x2)



MODEL 310

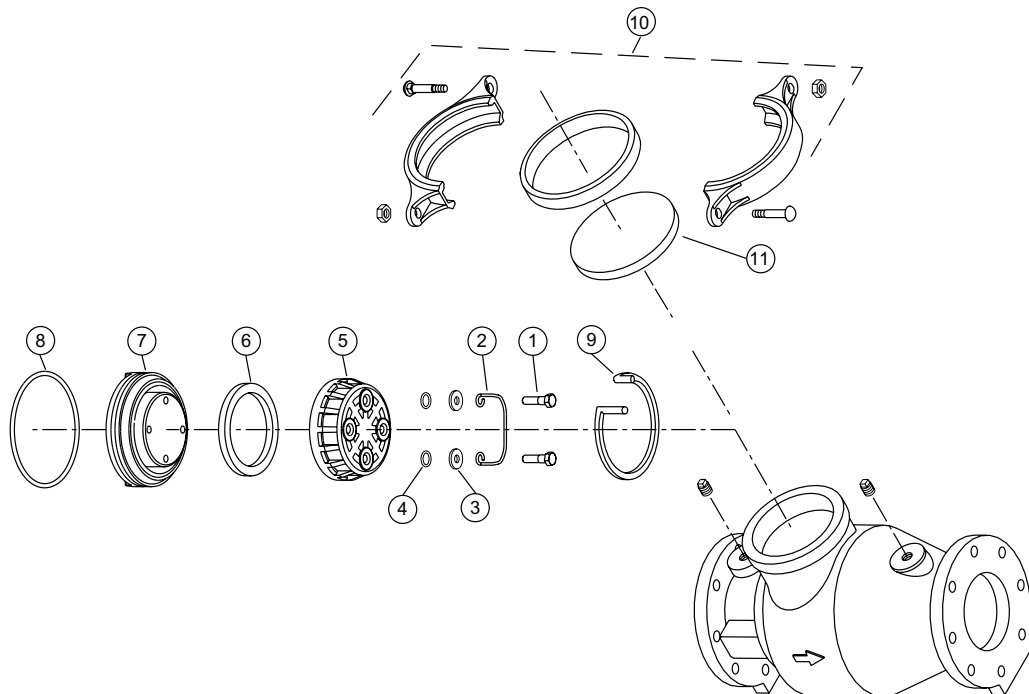
Single Check – 4" to 8"



Repair Kit Components		4"			6"		8"
Size Range		RK4-310	RK4-310CK	BRK4-LBF-SEATIRTNR	RK6-310	BRK6-LBF-SEATIRTNR	RK8-310
	4"		●	●	●		
6"					●	●	
8"							●
Item #	Item Description						
1	Bolt, Poppet Retainer		●(x4)				
2	Handle		●				
3	Washer, Poppet Bolt		●(x4)				
4	O-Ring, Poppet Bolt	●(x4)	●(x4)		●(x4)		●(x6)
5	Poppet Retainer		●				
6	Seal Ring	●	●		●		●
7	Seat Assembly		●				
8	O-Ring, Seat	●	●		●		●
9	Seat Retainer		●	●(x6)		●(x6)	

Item No.	Repair Kit Description
4"	
RK4-310	Standard Repair Kit, 4" 310
RK4-310CK	Check Assembly Repair Kit, 4" 310
BRK4LBF-SEATIRTNR	Bulk Seat Retainer Repair Kit, 4" 310
6"	
RK6-310	Standard Repair Kit, 6" 310
BRK6LBF-SEATIRTNR	Bulk Seat Retainer Repair Kit, 6" 310
8"	
RK8-310	Standard Repair Kit, 8" 310

Whole Goods (Available for individual sale)				
Item #	Item Description	4"	6"	8"
10	Cover Retainer Assembly	4-23	6-23	8-23
11	Cover	RK4-LBF-VALVE-COVER	RK6-LBF-VALVE-COVER	RK8-LBF-VALVE-COVER

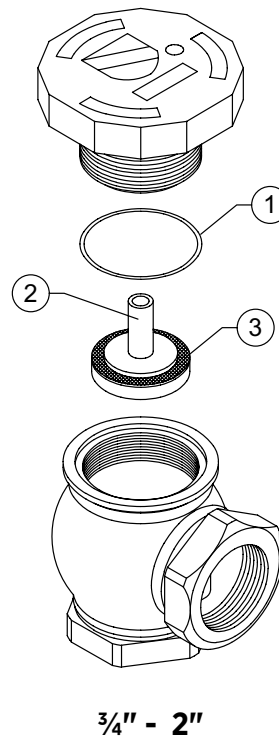
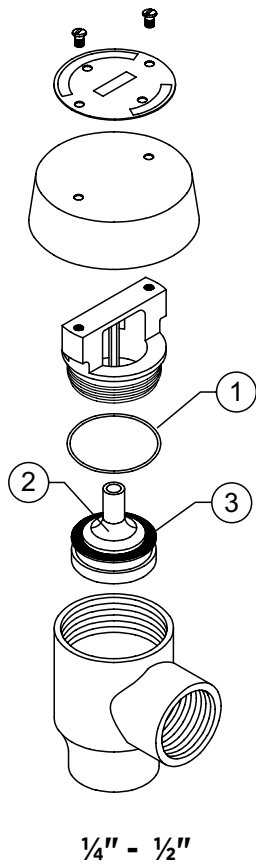


MODEL 35XL and 35

Atmospheric Vacuum Breaker – ¼" to 2"



Repair Kit Components		Complete Repair Kits						
		1/4" and 3/8"	1/2"	3/4"	1"	1 1/4"	1 1/2"	2"
Item #	Item Description	RK14-35	RK12-35	RK34-35	RK1-35	RK14-35	RK12-35	RK2-35
1	O-Ring/Gasket	•	•	•	•	•	•	•
2	Float	•	•	•	•	•	•	•
3	Seal Ring	•	•	•	•	•	•	•



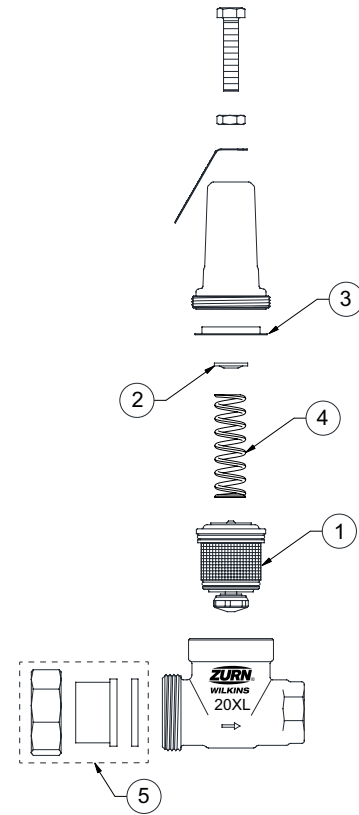
MODEL 20XL

Pressure Reducing Valves – 3/4" to 1"



Repair Kit Components		Complete Repair Kit
		3/4" - 1"
Item #	Item Description	RK34-1-20XL
1	Cartridge	•
2	Spring Disc	•
3	Friction Ring	•
4	Spring	•

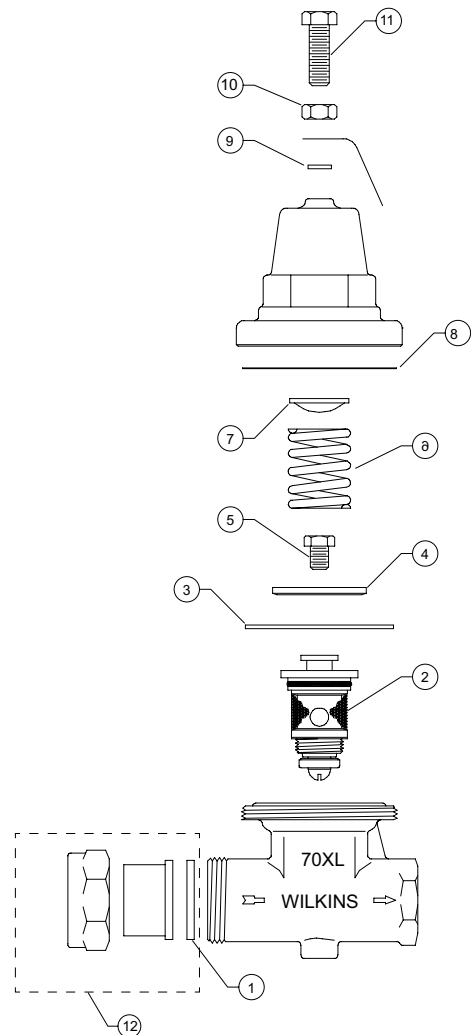
Whole Goods (Available for individual sale)			
Item #	Item Description	3/4"	1"
5	Tailpiece Kit, NPT Female	34-TPKXL	1-TPKXL



MODEL 70XL

Pressure Reducing Valves – 3/4" to 1"

Repair Kit Components		Complete Repair Kits			
		3/4"		1"	
Item #	Item Description	RK34-70XL	RK34-70SS	RK1-70XL	RK1-70SS
1	Union Gasket	•	•	•	•
2	Cartridge	•	•	•	•
3	Diaphragm	•	•	•	•
4	Diaphragm Disc	•	•	•	•
5	Bolt, Diaphragm	•		•	
	Bolt, Diaphragm SS		•		•
6	Spring, SS	•	•	•	•
7	Spring Disc	•		•	
	Spring Disc, SS		•		•
8	Friction Ring	•		•	
	Friction Ring, SS		•		•
9	Washer, Adjustment Bolt		•		•
10	Locknut	•	•	•	•
11	Adjustment Bolt	•	•	•	•



MODEL NR3XL

Pressure Reducing Valves – ½" to 2"



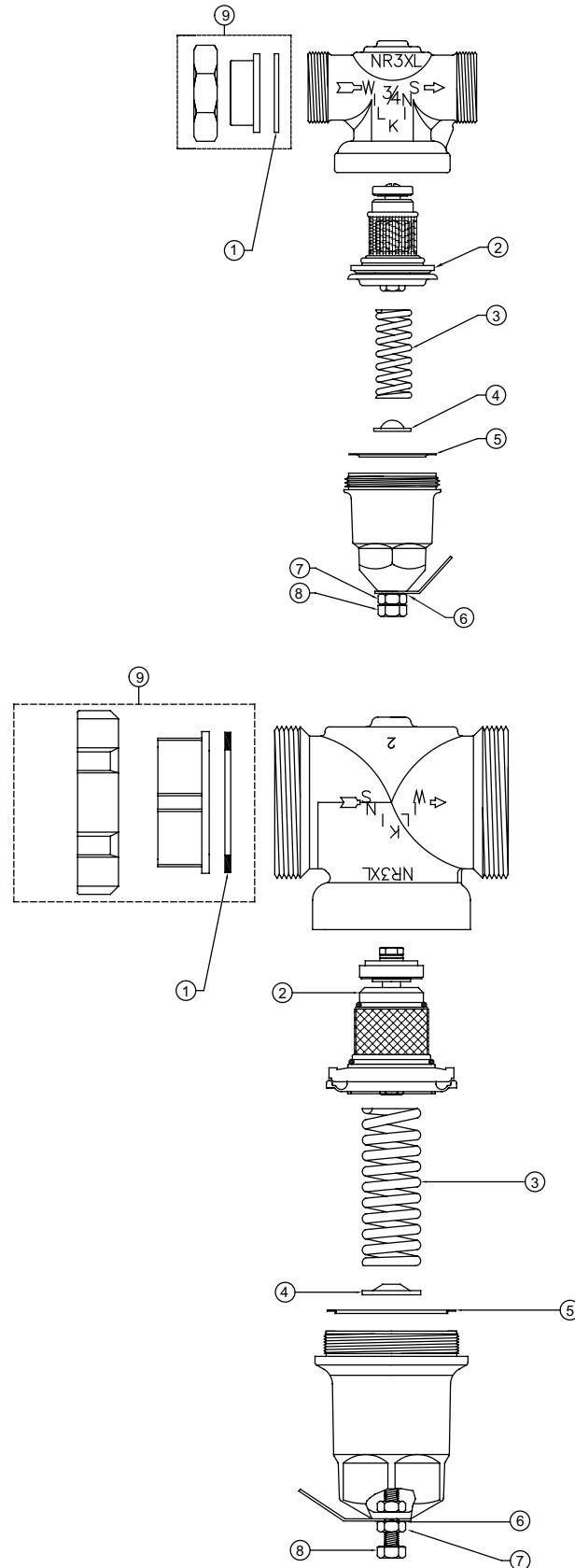
Repair Kit Components		Complete Repair Kits									
		1/2"		3/4"		1"		1 1/4"		1 1/2"	2"
Item #	Item Description	RK12-NR3XL	RK12-NR3XLHRSC	RK34-NR3XL	RK34-NR3XLHRSC	RK1-NR3XL	RK1-NR3XLHRSC	RK114-NR3XL	RK114-NR3XLHRSC	RK112-NR3XL	RK2-NR3XL
1	Union Gasket	●	●	●	●	●	●	●	●	●	●
2	Cartridge	●	●	●	●	●	●	●	●	●	●
3	Spring	●	●	●	●	●	●	●	●	●	●
4	Spring Disc	●	●	●	●	●	●	●	●	●	●
5	Friction Ring	●	●	●	●	●	●	●	●	●	●
6	Washer		●		●		●		●		
7	Locknut	●	●	●	●	●	●	●	●	●	●
8	Adjustment Bolt	●	●	●	●	●	●	●	●	●	●

Whole Goods (Available for individual sale)							
Item #	Item Description	1/2"	3/4"	1"	1 1/4"	1 1/2"	2"
9	Tailpiece Kit, NPT	12X34-TPKXL	34-TPKXL	1-TPKXL	114-TPKXL	112-TPKXL	2-TPKXL
	Tailpiece Kit, Copper	12X34-TPKXLC	34-TPKXLC	1-TPKXLC	114-TPKXLC	112-TPKXLC	2-TPKXLC
	Tailpiece Kit, Push Fit	12X34-TPKXLPF	34-TPKXLPF	1-TPKXLPF	N/A		
	Tailpiece Kit, Press Fit	N/A	34-TPKXLPR	1-TPKXLPR	114-TPKXLPR	112-TPKXLPR	2-TPKXLPR
	Tailpiece Kit, PEX	12X34-TPKXLPEX	34-TPKXLPEX	1-TPKXLPEX	N/A		
	Tailpiece Kit, PEXF1960	12X34-TPKXLPEXF1960	34-TPKXLPEXF1960	1-TPKXLPEXF1960			
	Tailpiece Kit, CPVC	N/A	34-TPKCPVC	1-TPKCPVC			

MODEL NR3XL

Pressure Reducing Valves - 1/2" to 2"

Parts Drawing



MODEL 600XL

Pressure Reducing Valves – ½" to 1"



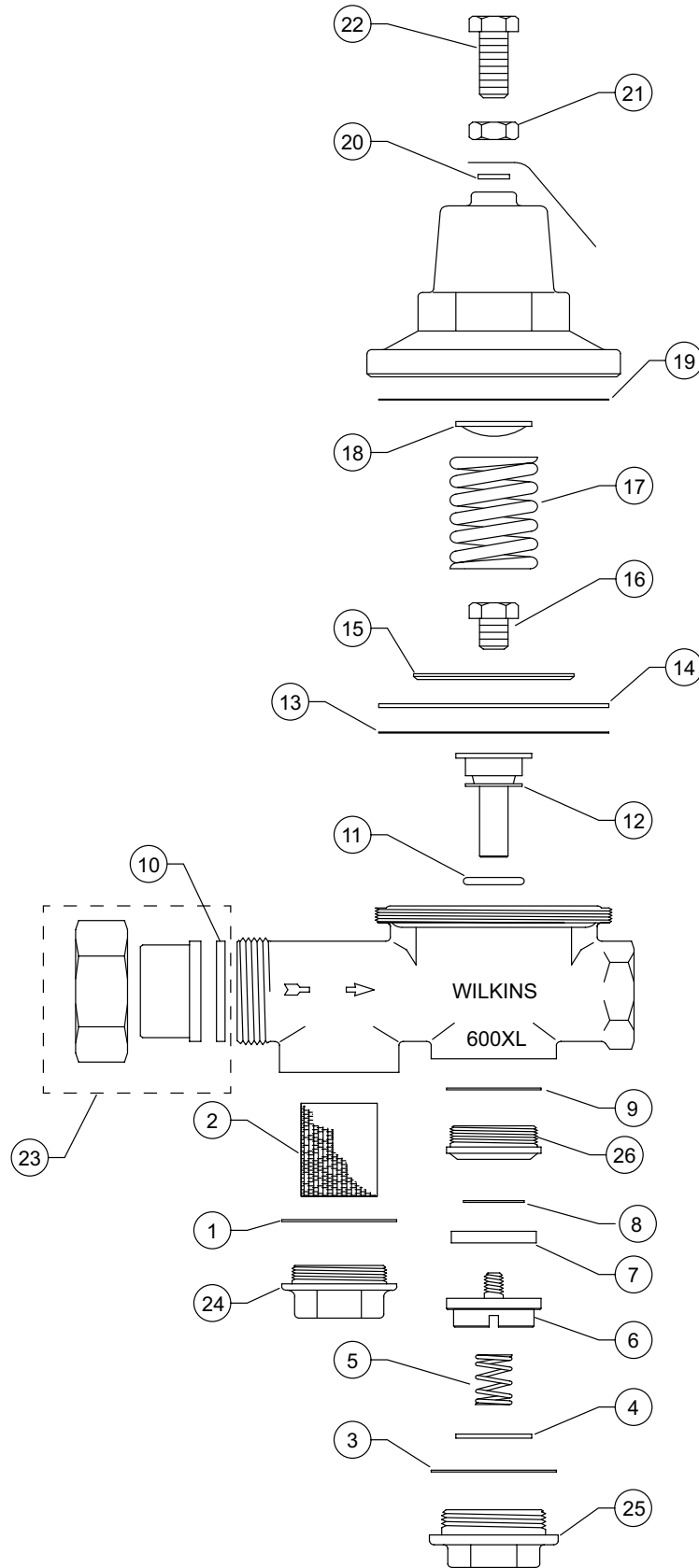
Repair Kit Components		Complete Repair Kits																	
		1/2"					3/4"					1"							
Item #	Item Description	RK12-600XL	RK12-600XLHR	RK12-600XLHLR	RK12-600XLHTSTSC	RK12-600XLHRHTSTSC	RK12-610XL	RK34-600XL	RK34-600XLHR	RK34-600XLHLR	RK34-600XLHTSTSC	RK34-600XLHRHTSTSC	RK34-610XL	RK1-600XL	RK1-600XLHR	RK1-600XLHLR	RK1-600XLHTSTSC	RK1-600XLHRHTSTSC	RK1-610XL
1	Washer, Strainer Cap	•	•	•	•	•	•	•	•	•	•	•	•	•	•	•	•	•	•
2	Screen	•	•	•	•	•	•	•	•	•	•	•	•	•	•	•	•	•	•
3	Washer, Cap	•	•	•	•	•	•	•	•	•	•	•	•	•	•	•	•	•	•
4	Washer, LP Spring			•						•						•			
5	Spring, Low Range			•						•						•			
6	Plunger Washer, 610XL						•						•						•
7	Seat Washer	•	•	•			•	•	•	•			•	•	•	•			•
	Seat Washer, High Temp				•	•					•	•					•	•	
8	Washer, Plunger Stem	•	•	•	•	•	•	•	•	•	•	•	•	•	•	•	•	•	•
9	Gasket, Seat																		
10	Union Gasket	•	•	•			•	•	•	•			•	•	•	•			•
	Union Gasket, High Temp				•	•					•	•					•	•	
11	O-Ring, Stem	•	•	•			•	•	•	•			•	•	•	•			•
	O-Ring, Stem, High Temp				•	•					•	•					•	•	
12	Stem	•	•	•	•	•	•	•	•	•	•	•	•	•	•	•	•	•	•
13	Diaphragm, Teflon				•	•					•	•					•	•	
14	Diaphragm	•	•	•	•	•		•	•	•	•	•		•	•	•	•	•	
	Diaphragm, High Inlet Pressure						•						•						•
15	Diaphragm Disc	•	•	•				•	•	•			•	•	•	•			•
	Diaphragm Disc, SS				•	•					•	•					•	•	
16	Bolt/Nut	•	•	•			•	•	•	•			•	•	•	•			•
	Bolt/Nut, SS				•	•					•	•					•	•	
	Spring	•			•			•			•			•			•		
17	Spring, High Range		•	•			•	•	•				•		•	•			•
	Spring, High Range, SS					•							•					•	
18	Spring Disc	•	•(x2)	•(x2)			•(x2)	•	•(x2)	•(x2)			•(x2)	•	•(x2)	•(x2)			•(x2)
	Spring Disc, SS				•	•(x2)					•	•(x2)					•	•(x2)	
19	Friction Ring	•	•	•			•	•	•	•			•	•	•	•			•
	Friction Ring, SS				•	•					•	•					•	•	
20	Washer, Adjustment Bolt				•	•					•	•					•	•	
21	Locknut, SS				•						•						•		
22	Adjustment Bolt, SS				•						•						•		

Whole Goods (Available for individual sale)				
Item #	Item Description	1/2"	3/4"	1"
9	Gasket, Seat	501A-13	502A-13	603A-13
	Tailpiece Kit, NPT Female	12-TPKXL	34-TPKXL	1-TPKXL
	Tailpiece Kit, NPT Male	N/A	34-TPKXLM	1-TPKXLM
	Tailpiece Kit, Copper, Female	12-TPKXLC	34-TPKXLC	1-TPKXLC
	Tailpiece Kit, Copper, Male	N/A	34-TPKXLCM	1-TPKXLCM
23	Tailpiece Kit, Push Fit	12-TPKXLPF	34-TPKXLPF	1-TPKXLPF
	Tailpiece Kit, Press Fit	12-TPKXLPR	34-TPKXLPR	1-TPKXLPR
	Tailpiece Kit, PEX	12-TPKXLPEX	34-TPKXLPEX	1-TPKXLPEX
	Tailpiece Kit, PEXF1960	12-TPKXLPEXF1960	34-TPKXLPEXF1960	1-TPKXLPEXF1960
	Tailpiece Kit, CPVC	N/A	34-TPKCPVC	1-TPKCPVC
24	Strainer Cap	601-3XL	602-3XL	501-3XL-010F
25	Main Cap	601-3XL	602-3XL	603-3AXL-010F
	Main Cap Low Pressure	601-3LLP	602-3XL	603-3AXL-010F
26	Seat	601-18	602-18	603-18

MODEL 600XL

Pressure Reducing Valves - 1/2" to 1"

Parts Drawing



MODEL 600XL

Pressure Reducing Valves – 1 ¼" to 2"



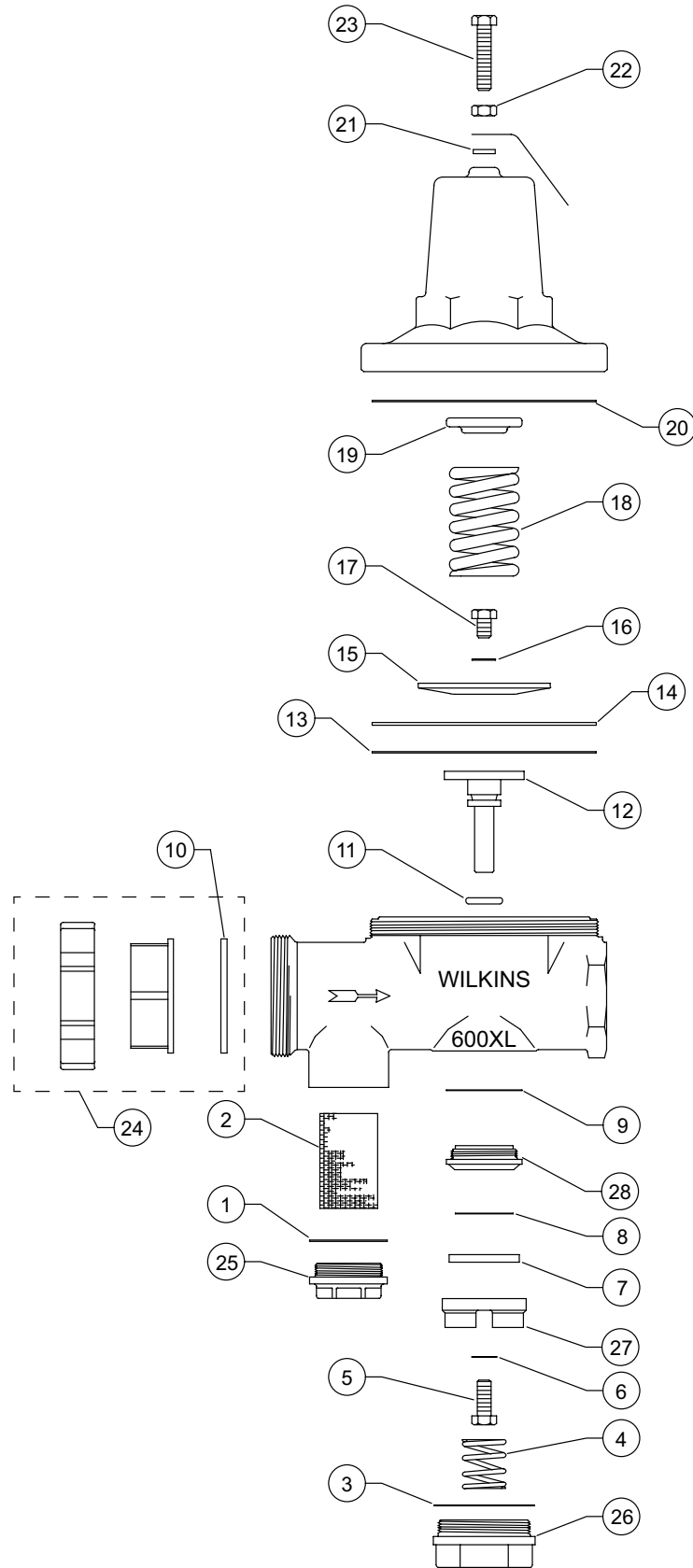
Repair Kit Components		Complete Repair Kits														
		1 1/4"					1 1/2"					2"				
Item #	Item Description	RK114-600XL	RK114-600XLHR	RK114-600XLHLR	RK114-600XLH1STSC	RK114-610XL	RK112-600XL	RK112-600XLHR	RK112-600XLHLR	RK112-600XLH1STSC	RK112-610XL	RK2-600XL	RK2-600XLHR	RK2-600XLHLR	RK2-600XLH1STSC	RK2-610XL
1	Gasket, Strainer Cap	•	•	•	•	•	•	•	•	•	•	•	•	•	•	•
2	Screen	•	•	•	•	•	•	•	•	•	•	•	•	•	•	•
3	Gasket, Cap	•	•	•	•	•	•	•	•	•	•	•	•	•	•	•
4	Spring, Low Range			•					•					•		
5	Bolt, Plunger	•	•	•	•	•	•	•	•	•	•	•	•	•	•	•
6	Washer, Plunger Bolt	•	•	•	•	•	•	•	•	•	•	•	•	•	•	•
7	Seat Washer	•	•	•		•	•	•	•		•	•	•	•		•
	Seat Washer, High Temp				•				•						•	
8	Washer, Stem	•	•	•	•	•	•	•	•	•	•	•	•	•	•	•
9	Seat Gasket															
10	Union Gasket	•	•	•		•	•	•	•		•	•	•	•		•
	Union Gasket, High Temp				•				•						•	
11	O-Ring, Stem	•	•	•		•	•	•	•		•	•	•	•		•
	O-Ring, Stem, High Temp				•				•						•	
12	Stem	•	•	•	•	•	•	•	•	•	•	•	•	•	•	•
13	Diaphragm, Teflon				•				•						•	
14	Diaphragm	•	•	•	•	•	•	•	•	•	•	•	•	•	•	•
15	Diaphragm Disc	•	•	•	•	•	•	•	•	•	•	•	•	•	•	•
16	Washer, Diaphragm Bolt						•	•	•	•	•					
17	Bolt, Diaphragm	•	•	•		•	•	•	•		•	•	•	•		•
	Bolt, Diaphragm, SS				•				•						•	
	Spring	•					•					•				
18	Spring, High Range		•	•		•		•			•		•	•		•
	Spring, SS				•				•						•	
19	Spring Disc	•	•	•	•	•	•	•	•	•	•	•	•	•	•	•
20	Friction Ring	•	•	•	•	•	•	•	•	•	•					
21	Washer, Adjustment Bolt				•				•						•	
22	Locknut, SS				•				•						•	
23	Adjustment Bolt, SS				•				•						•	

Whole Goods (Available for individual sale)				
Item #	Item Description	1 1/4"	1 1/2"	2"
9	Seat Gasket	504A-13	605-18	505A-13
	Tailpiece Kit, NPT Female	114-TPKXL	112-TPKXL	2-TPKXL
24	Tailpiece Kit, Copper, Female	114-TPKXLC	112-TPKXLC	2-TPKXLC
	Tailpiece Kit, Press Fit	114-TPKXLPR	112-TPKXLPR	2-TPKXLPR
25	Strainer Cap	603-3AXL-010F	605A-3AXL-010F	606A-3XL-010F
26	Main Cap	604-3XL-010F	604-3XL-010F	606-3XL-010F
27	Plunger	604-34XL	605-34XL-010F	606-34XL-010F
28	Seat	604-18	605-18	606-18

MODEL 600XL

Pressure Reducing Valves - 1 1/4" to 2"

Parts Drawing



Model 600XL3 and 625XL3

Pressure Reducing Valves – 3/4" to 2"



Repair Kit Components		Complete Repair Kits									
		3/4"		1"		1 1/4"		1 1/2"		2"	
Item #	Item Description	RK1-600XL3	RK1-600XL3HR	RK1-600XL3	RK1-600XL3HR	RK114-600XL3	RK114-600XL3HR	RK112-600XL3	RK112-600XL3HR	RK2-600XL3	RK2-600XL3HR
1	Adjustment Bolt	●	●	●	●	●	●	●	●	●	●
2	Locknut	●	●	●	●	●	●	●	●	●	●
3	Spring Disc	●	●	●	●	●	●	●	●	●	●
4	Spring	●	●	●	●	●	●	●	●	●	●
5	High Range Spring	●	●	●	●	●	●	●	●	●	●
6	Friction Ring	●	●	●	●	●	●	●	●	●	●
7	Cartridge	●	●	●	●	●	●	●	●	●	●
8	Screen	●	●	●	●	●	●	●	●	●	●
9	Strainer Cap O-Ring	●	●	●	●	●	●	●	●	●	●
10	Union Gasket	● (x2)	● (x2)	● (x2)	● (x2)	● (x2)	● (x2)	● (x2)	● (x2)	● (x2)	● (x2)

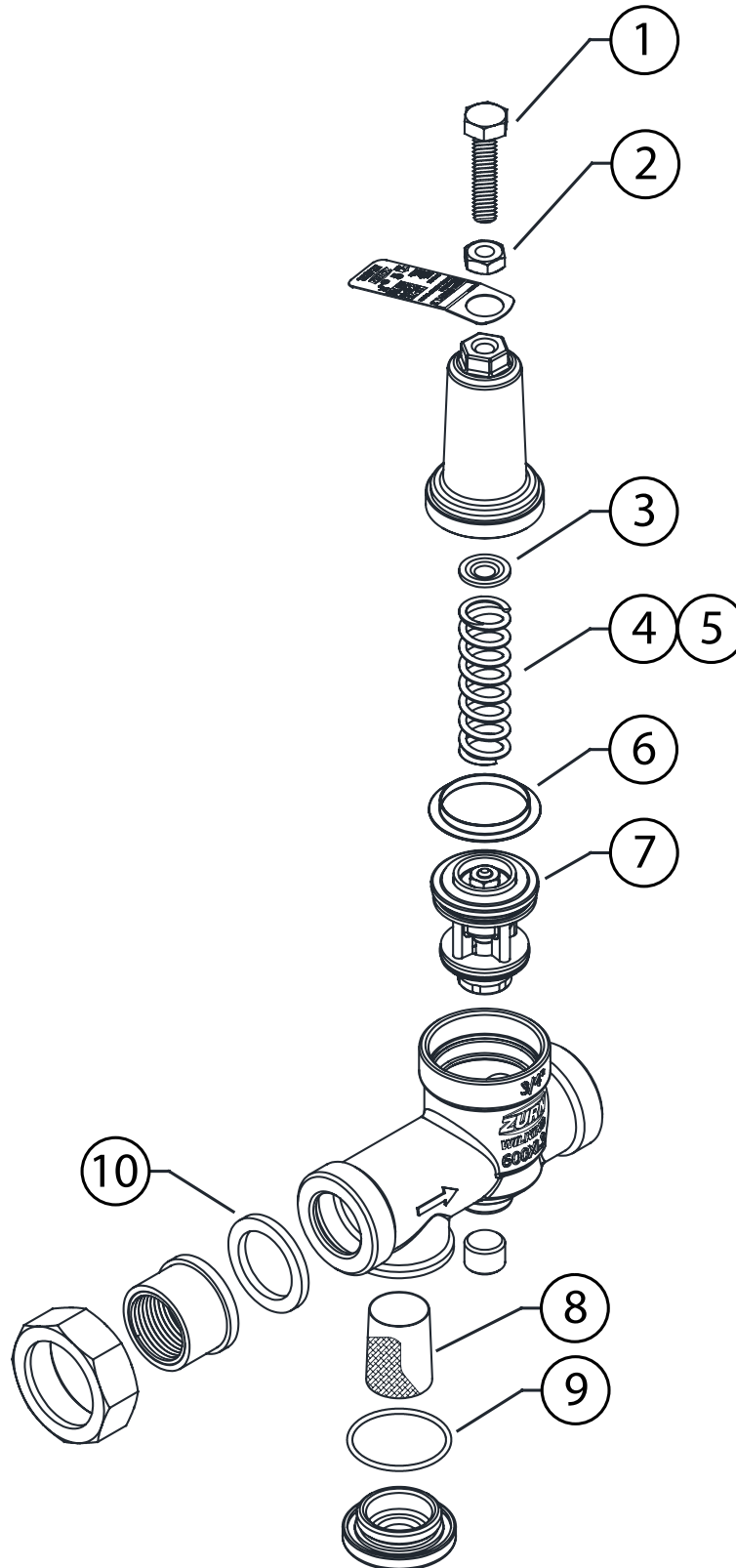
Item #	Item Description	1/2" (for 3/4" valve)	3/4"	1"	1 1/4"	1 1/2"	2"
11	Tailpiece Kit, NPT Female	12X34-TPKXL	34-TPKXL	1-TPKXL	114-TPKXL	112-TPKXL	2-TPKXL
	Tailpiece Kit, NPT Male	N/A	34-TPKXLM	1-TPKXLM			
	Tailpiece Kit, Copper, Female	12X34-TPKXLC	34-TPKXLC	1-TPKXLC	114-TPKXLC	112-TPKXLC	2-TPKXLC
	Tailpiece Kit, Copper, Male	N/A	34-TPKXLCM	1-TPKXLCM			
	Tailpiece Kit, Push Fit	12X34-TPKXLPF	34-TPKXLPF	1-TPKXLPF			
	Tailpiece Kit, Press Fit	12X34-TPKXLPR	34-TPKXLPR	1-TPKXLPR	114-TPKXLPR	112-TPKXLPR	2-TPKXLPR
	Tailpiece Kit, PEX	12X34-TPKXLPEX	34-TPKXLPEX	1-TPKXLPEX			
	Tailpiece Kit, PEXF1960	12X34-TPKXLPXEF1960	34-TPKXLPXEF1960	1-TPKXLPXEF1960			
12	Tailpiece Kit, CPVC	N/A	34-TPKCPVC	1-TPKCPVC			
	Strainer Cap	N/A	602-3XL	603-3XL	604-3XL	605-3XL	606-3XL

Repair Kit Components		Complete Repair Kits									
		3/4"		1"		1 1/4"		1 1/2"		2"	
Item #	Item Description	RK1-625XL3	RK1-625XL3HR	RK1-625XL3	RK1-625XL3HR	RK114-625XL3	RK114-625XL3HR	RK112-625XL3	RK112-625XL3HR	RK2-625XL3	RK2-625XL3HR
1	Adjustment Bolt	●	●	●	●	●	●	●	●	●	●
2	Locknut	●	●	●	●	●	●	●	●	●	●
3	Spring Disc	●	●	●	●	●	●	●	●	●	●
4	Spring	●	●	●	●	●	●	●	●	●	●
5	High Range Spring	●	●	●	●	●	●	●	●	●	●
6	Friction Ring	●	●	●	●	●	●	●	●	●	●
7	Cartridge	●	●	●	●	●	●	●	●	●	●
8	Screen	●	●	●	●	●	●	●	●	●	●
9	Strainer Cap O-Ring	●	●	●	●	●	●	●	●	●	●
10	Union O-Ring	●	●	●	●	●	●	●	●	●	●

MODEL 600XL3/625XL3

Pressure Reducing Valves - 1 1/4" to 2"

Parts Drawing



MODEL 500XL

Pressure Reducing Valves – ½" to 1"



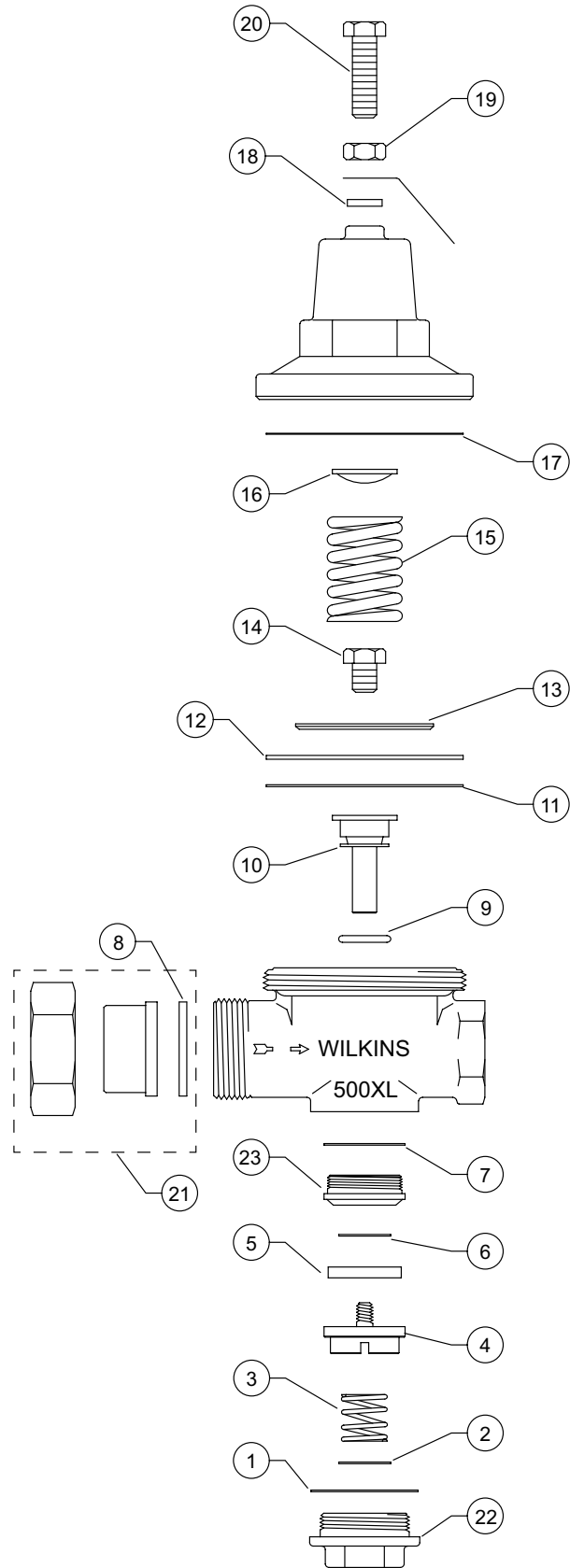
Repair Kit Components		Complete Repair Kits																				
		1/2"						3/4"						1"								
Item #	Item Description	RK12-500XL	RK12-500XLHR	RK12-500XLHLR	RK12-500XLHTSTSC	RK12-500XLHRHTSTSC	RK12-500XLSW	RK12-510XL	RK34-500XL	RK34-500XLHR	RK34-500XLHLR	RK34-500XLHTSTSC	RK34-500XLHRHTSTSC	RK34-500XLSW	RK34-510XL	RK1-500XL	RK1-500XLHR	RK1-500XLHLR	RK1-500XLHTSTSC	RK1-500XLHRHTSTSC	RK1-500XLSW	RK1-510XL
1	Washer, Cap	•	•	•	•	•	•	•	•	•	•	•	•	•	•	•	•	•	•	•	•	•
2	Washer, LP Spring			•							•								•			
3	Spring, Low Range			•							•								•			
4	Plunger Washer (510XL)							•							•							•
5	Seat Washer	•	•	•			•	•	•	•	•			•	•	•	•	•			•	•
	Seat Washer, High Temp				•	•						•	•						•	•		
6	Washer, Plunger Stem	•	•	•	•	•	•	•	•	•	•	•	•	•	•	•	•	•	•	•	•	•
7	Gasket, Seat																					
8	Union Gasket	•	•	•			•	•	•	•	•			•	•	•	•	•			•	•
	Union Gasket, High Temp				•	•						•	•						•	•		
9	O-Ring, Stem	•	•	•			•	•	•	•	•			•	•	•	•	•			•	•
	O-Ring, Stem, High Temp				•	•						•	•						•	•		
10	Stem	•	•	•	•	•	•	•	•	•	•	•	•	•	•	•	•	•	•	•	•	•
	Stem, Chrome						•							•							•	
11	Diaphragm, Teflon				•	•						•	•						•	•		
12	Diaphragm	•	•	•	•	•	•	•	•	•	•	•	•	•	•	•	•	•	•	•	•	•
	Diaphragm, High Inlet Pressure							•						•								•
13	Diaphragm Disc	•	•	•			•	•	•	•				•	•	•	•	•			•	•
	Diaphragm Disc, SS				•	•						•	•						•	•		
14	Bolt/Nut	•	•	•			•	•	•	•	•			•	•	•	•	•			•	•
	Bolt/Nut, SS				•	•	•					•	•	•					•	•	•	•
	Spring	•					•		•					•		•					•	
15	Spring, High Range		•	•				•		•	•				•		•	•				•
	Spring, High Range, SS				•	•						•	•						•	•		
16	Spring Disc	•	•(x2)	•(x2)			•	•(x2)	•	•(x2)	•(x2)			•	•(x2)	•	•(x2)	•(x2)			•	•(x2)
	Spring Disc, SS				•	•(x2)	•					•	•(x2)	•					•	•(x2)	•	
17	Friction Ring	•	•	•			•	•	•	•			•	•	•	•	•	•			•	•
	Friction Ring, SS				•	•						•	•						•	•		
18	Washer, Adjustment Bolt				•	•						•	•						•	•		
19	Locknut, SS				•	•						•	•						•	•		
20	Adjustment Bolt, SS				•	•						•	•						•	•		

Whole Goods (Available for individual sale)		1/2"						3/4"						1"					
Item #	Item Description																		
4	Plunger							602-34XL						603-34XL					
	Plunger, Chrome							602-34XLCH						603-34XLCH					
7	Gasket, Seat	501A-13						502A-13						603A-13					
	Tailpiece Kit, NPT Female	12-TPKXL						34-TPKXL						1-TPKXL					
	Tailpiece Kit, NPT Male	N/A						34-TPKXLM						1-TPKXLM					
	Tailpiece Kit, Copper, Female	12-TPKXLC						34-TPKXLC						1-TPKXLC					
	Tailpiece Kit, Copper, Male	N/A						34-TPKXLCM						1-TPKXLCM					
21	Tailpiece Kit, Push Fit	12-TPKXLPF						34-TPKXLPF						1-TPKXLPF					
	Tailpiece Kit, Press Fit	12-TPKXLPR						34-TPKXLPR						1-TPKXLPR					
	Tailpiece Kit, PEX	12-TPKXLPEX						34-TPKXLPEX						1-TPKXLPEX					
	Tailpiece Kit, PEXF1960	12-TPKXLPEXF1960						34-TPKXLPEXF1960						1-TPKXLPEXF1960					
	Tailpiece Kit, CPVC	N/A						34-TPKCPVC						1-TPKCPVC					
22	Main Cap	501-3XL-010F						602-3XL						603-3XL					
23	Seat	601-18						602-18						603-18					

MODEL 500XL

Pressure Reducing Valves - 1/2" to 1"

Parts Drawing



MODEL 500XL

Pressure Reducing Valves – 1 1/4" to 3"



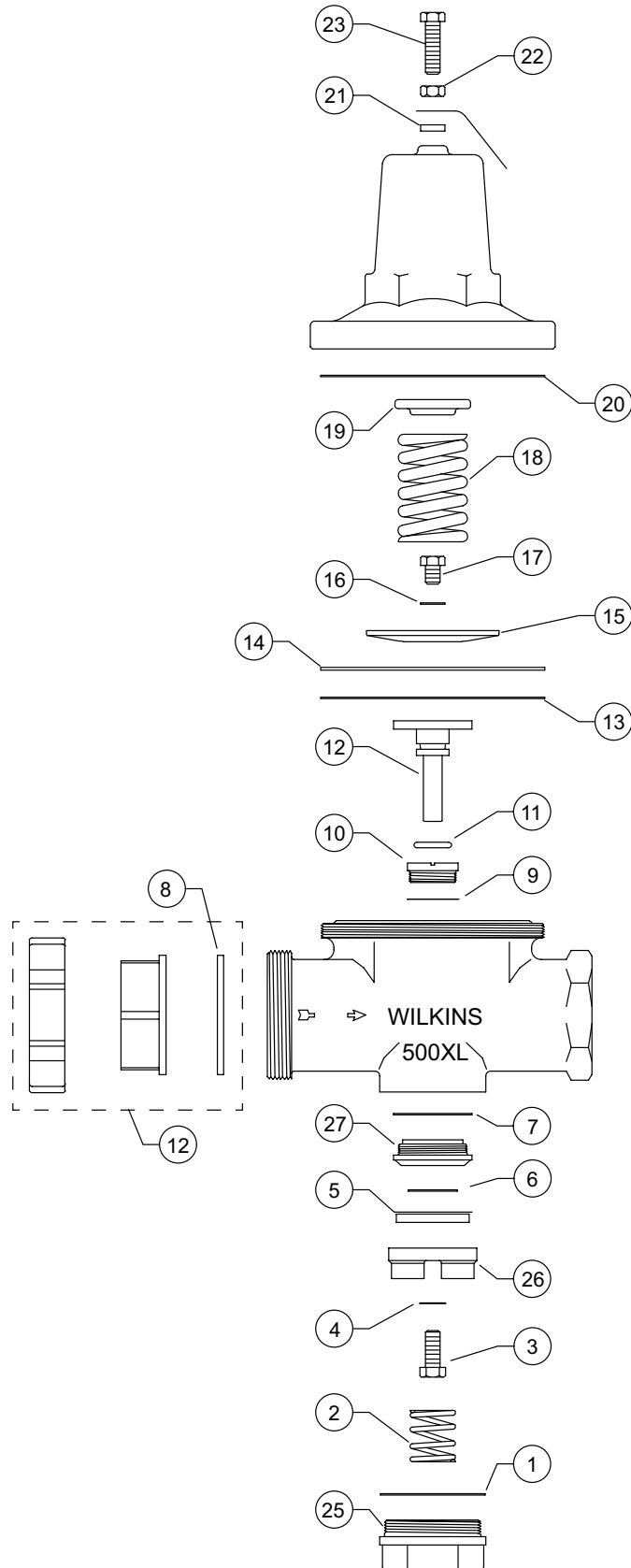
Repair Kit Components		Complete Repair Kits																																					
		1 1/4"						1 1/2"						2"						2 1/2"						3"													
Item #	Item Description	RK114-500XL	RK114-500XHLR	RK114-500XHLR	RK114-500XLHTSTSC	RK114-500XHLRHTSTSC	RK2-500XLSW	RK114-510XL	RK112-500XL	RK112-500XHLR	RK112-500XHLR	RK112-500XLHTSTSC	RK112-500XHLRHTSTSC	RK2-500XLSW	RK112-510XL	RK2-500XL	RK2-500XHLR	RK2-500XHLR	RK2-500XLHTSTSC	RK2-500XHLRHTSTSC	RK2-500XLSW	RK2-500XHLRHTSTSC	RK2-500XLSW	RK2-510XL	RK212-500XL	RK212-500XHLR	RK212-500XHLR	RK212-500XLHTSTSC	RK212-500XHLRHTSTSC	RK212-500XLSW	RK212-510XL	RK3-500XL	RK3-500XHLR	RK3-500XHLR	RK3-500XLHTSTSC	RK3-510XL			
1	Washer, Cap	•	•	•	•	•	•	•	•	•	•	•	•	•	•	•	•	•	•	•	•	•	•	•	•	•	•	•	•	•	•	•	•	•	•	•	•		
2	Spring, Low Range			•						•									•																				
3	Bolt, Plunger	•	•	•	•	•	•	•	•	•	•	•	•	•	•	•	•	•	•	•	•	•	•	•	•	•	•	•	•	•	•	•	•	•	•	•	•		
4	Washer, Plunger Bolt	•	•	•	•	•	•	•	•	•	•	•	•	•	•	•	•	•	•	•	•	•	•	•	•	•	•	•	•	•	•	•	•	•	•	•	•	•	
5	Seat Washer	•	•	•			•	•	•	•	•			•	•	•	•	•			•	•	•	•	•	•	•	•	•	•	•	•	•	•	•	•	•		
	Seat Washer, High Temp				•	•						•	•						•	•																	•		
6	Washer, Stem	•	•	•	•	•	•	•	•	•	•	•	•	•	•	•	•	•	•	•	•	•	•	•	•	•	•	•	•	•	•	•	•	•	•	•	•	•	
7	Seat Gasket																																						
8	Union Gasket	•	•	•			•	•	•	•	•			•	•	•	•	•			•	•																	
	Union Gasket, High Temp				•	•						•	•							•	•																		
9	Gasket, Sleeve																																						
10	Sleeve																																						
11	O-Ring, Stem	•	•	•			•	•	•	•	•			•	•	•	•	•			•	•	•	•	•	•	•	•	•	•	•	•	•	•	•	•	•	•	
	O-Ring, Stem, High Temp				•	•						•	•							•	•																		
12	Stem	•	•	•	•	•	•	•	•	•	•	•	•	•	•	•	•	•	•	•	•	•	•	•	•	•	•	•	•	•	•	•	•	•	•	•	•	•	
	Stem, Chrome						•							•						•	•																		
13	Diaphragm, Teflon				•	•						•	•							•	•																		
14	Diaphragm	•	•	•	•	•	•	•	•	•	•	•	•	•	•	•	•	•	•	•	•	•	•	•	•	•	•	•	•	•	•	•	•	•	•	•	•	•	
15	Diaphragm Disc	•	•	•			•	•	•	•	•			•	•	•	•	•			•	•	•	•	•	•	•	•	•	•	•	•	•	•	•	•	•	•	
	Diaphragm Disc, SS				•	•						•	•							•	•																		
16	Washer, Diaphragm Bolt									•	•	•	•	•	•																								
17	Bolt, Diaphragm	•	•	•			•	•	•	•	•	•	•	•	•	•	•	•	•	•	•	•	•	•	•	•	•	•	•	•	•	•	•	•	•	•	•	•	
	Bolt, Diaphragm, SS				•	•						•	•							•	•																		
18	Spring	•					•							•	•	•	•	•			•	•	•	•	•	•	•	•	•	•	•	•	•	•	•	•	•	•	
	Spring, SS				•							•								•	•																		
	Spring, High Range		•	•				•		•	•									•	•																		
	Spring, High Range, SS						•						•							•	•																		
	Spring Disc	•																																					
19	Spring Disc, High Range		•	•			•													•	•																		
	Spring Disc, SS				•	•														•	•																		
20	Friction Ring	•	•	•	•	•	•	•	•	•	•	•	•	•	•	•	•	•	•	•	•	•	•	•	•	•	•	•	•	•	•	•	•	•	•	•	•	•	•
21	Washer, Adjustment Bolt				•	•						•	•							•	•																		
22	Locknut, SS				•	•						•	•							•	•																		
23	Adjustment Bolt, SS				•	•						•	•							•	•																		

Whole Goods (Available for individual sale)						
Item #	Item Description	1 1/4"	1 1/2"	2"	2 1/2"	3"
7	Seat Gasket	504A-13	605-18	505A-13	507A-13	508A-13
24	Tailpiece Kit, NPT Female	114-TPKXL	112-TPKXL	2-TPKXL	N/A	
	Tailpiece Kit, Copper, Female	114-TPKXLC	112-TPKXLC	2-TPKXLC		
	Tailpiece Kit, Press Fit	114-TPKXLPR	112-TPKXLPR	2-TPKXLPR		
25	Main Cap	604-3XL-010F		606-3XL-010F	507-3XL-010F	508-3XL-010F
26	Plunger	604-34XL	605-34XL-010F	606-34XL-010F	507-34AXL-010F	508-34XL-010F
	Plunger, Chrome	604-34XLCH	605-34XLCH	606-34XLCH	507-34AXLCH	508-34XLCH
27	Seat	604-18	605-18	606-18	507-18	508-18

MODEL 500XL

Pressure Reducing Valves - 1 1/4" to 3"

Parts Drawing



MODEL 500XL3

Pressure Reducing Valves – 1" to 4"



Repair Kit Components		Complete Repair Kits									
		1"		1 1/4"		1 1/2"		2"		2 1/2" - 4"	
Item #	Item Description	RK1-500XL3	RK1-500XL3HR	RK114-500XL3	RK114-500XL3HR	RK112-500XL3	RK112-500XL3HR	RK2-500XL3	RK2-500XL3HR	RK212-4-500XL3	RK212-4-500XL3HR
1	Adjustment Bolt	●	●	●	●	●	●	●	●	●	●
2	Locknut	●	●	●	●	●	●	●	●	●	●
3	Spring Disc	●	●	●	●	●	●	●	●	●	●
4	Spring	●		●		●		●		●	
5	High Range Spring		●		●		●		●		●
6	Friction Ring	●	●	●	●	●	●	●	●		
7	Cartridge	●	●	●	●	●	●	●	●	●	●
8	Guide Pin O-rings									●	●
9	Union Gasket	● (x2)	● (x2)	● (x2)	● (x2)	● (x2)	● (x2)	● (x2)	● (x2)		

Whole Goods (Available for individual sale)						
Item #	Item Description	1"	1 1/4"	1 1/2"	2"	2 1/2" - 4"
10	Tailpiece Kit, NPT	1-TPKXL	114-TPKXL	112-TPKXL	2-TPKXL	N/A
	Tailpiece Kit, Copper	1-TPKXLC	114-TPKXLC	112-TPKXLC	2-TPKXLC	N/A
	Tailpiece Kit, Press Fit	1-TPKXLPR	114-TPKXLPR	112-TPKXLPR	2-TPKXLPR	N/A

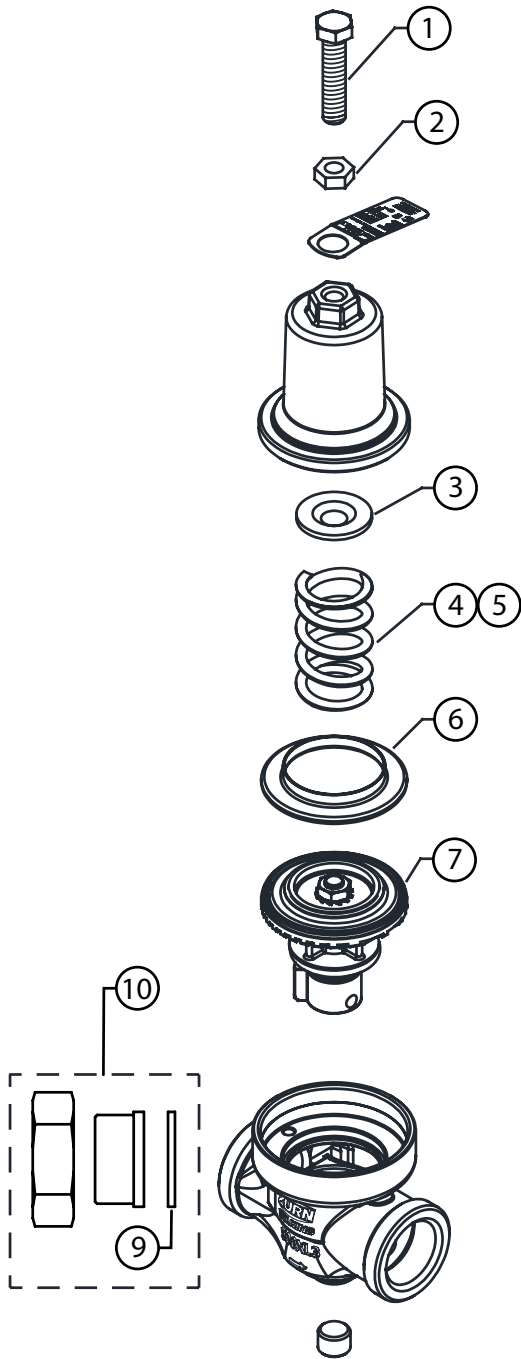
MODEL 500XL3

Pressure Reducing Valves - 1" to 4"

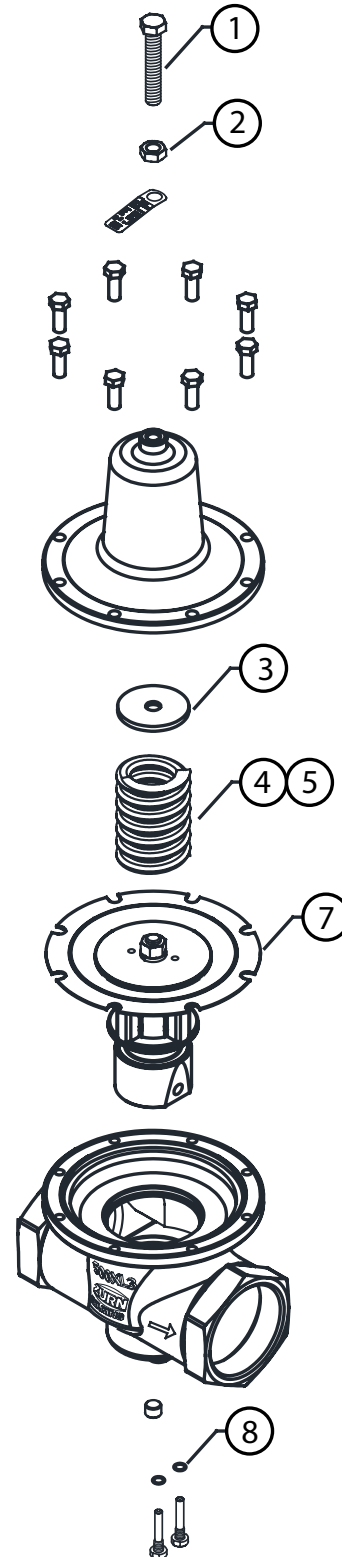
Parts Drawing



1" - 2"



2-1/2" - 4"



MODEL 500XLC

Pressure Reducing Valves – 2" to 3"

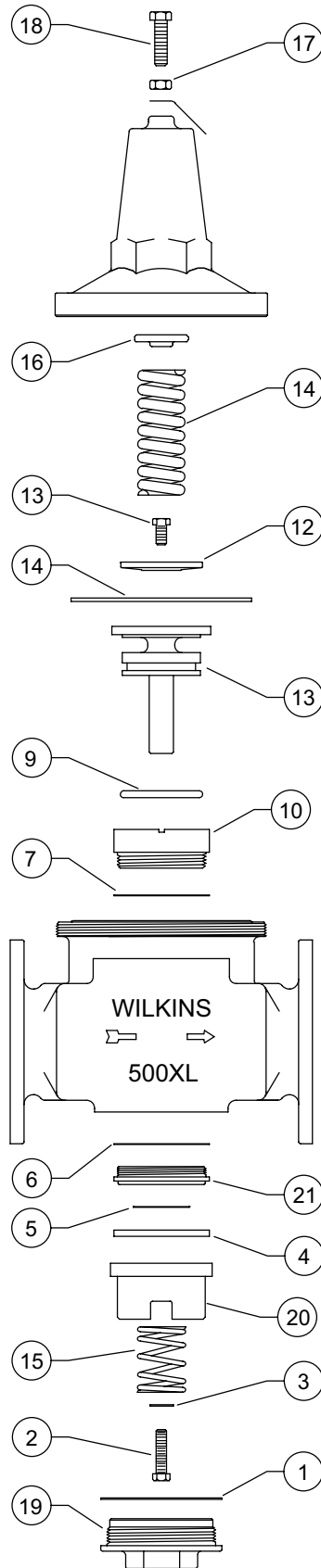


Repair Kit Components		Complete Repair Kits											
		2"				2 1/2"				3"			
Item #	Item Description	RK2-500XLF	RK2-500XLFHR	RK2-500XLFHSTSC	RK2-500XLFWSW	RK212-500XLF	RK212-500XLFHR	RK212-500XLFCHTSTSC	RK212-500XLFWSW	RK3-500XLF	RK3-500XLFHR	RK3-500XLFHSTSC	RK3-500XLFWSW
1	Washer, Cap	•	•	•	•	•	•	•	•	•	•	•	•
2	Bolt, Plunger	•	•	•	•	•	•	•	•	•	•	•	•
3	Washer, Plunger Bolt	•	•	•	•	•	•	•	•	•	•	•	•
4	Seat Washer	•	•		•	•	•		•	•	•		•
	Seat Washer, High Temp			•				•				•	
5	Washer, Plunger	•	•	•	•	•	•	•	•	•	•	•	•
6	Seat Gasket												
7	Sleeve Gasket	•	•	•	•	•	•	•	•	•	•	•	•
8	Sleeve	•	•	•	•	•	•	•	•	•	•	•	•
	Sleeve, Chrome				•				•				•
9	O-Ring, Stem	•	•		•	•	•		•	•	•		•
	O-Ring, Stem, High Temp			•				•				•	
10	Stem	•	•	•	•	•	•	•	•	•	•	•	•
	Stem, Chrome				•				•				•
11	Diaphragm	•	•	•	•	•	•	•	•	•	•	•	•
	Diaphragm, Teflon			•				•				•	
12	Diaphragm Disc	•	•	•	•	•	•	•	•	•	•	•	•
13	Bolt, Diaphragm Disc	•	•		•	•	•		•	•	•		•
	Bolt, Diaphragm Disc, SS			•				•				•	
14	Spring	•			•	•			•	•			•
	Spring, High Range		•				•					•	
	Spring, SS			•				•				•	
15	Spring, Low Range												
16	Spring Disc	•		•	•	•		•	•	•		•	•
	Spring Disc, High Range		•				•				•		
17	Locknut, SS			•				•				•	
18	Adjustment Bolt, SS			•				•				•	

Whole Goods (Available for individual sale)				
Item #	Item Description	2"	2 1/2"	3"
6	Seat Gasket	506A-13	507A-13	508A-13
19	Main Cap	507-3XL-010F	507-3XL-010F	508-3XL-010F
20	Plunger	507-34AXL-010F	507-34AXL-010F	508-34XL-010F
	Plunger, Chrome	507-34AXLCH	507-34AXLCH	508-34XLCH
21	Seat	506-18	507-18	508-18

MODEL 500XLFC

Pressure Reducing Valves - 2" to 3"
Parts Drawing



MODEL ZW200 ACV Main Body Assembly



Automatic Control Valves – 1 ¼" to 16"

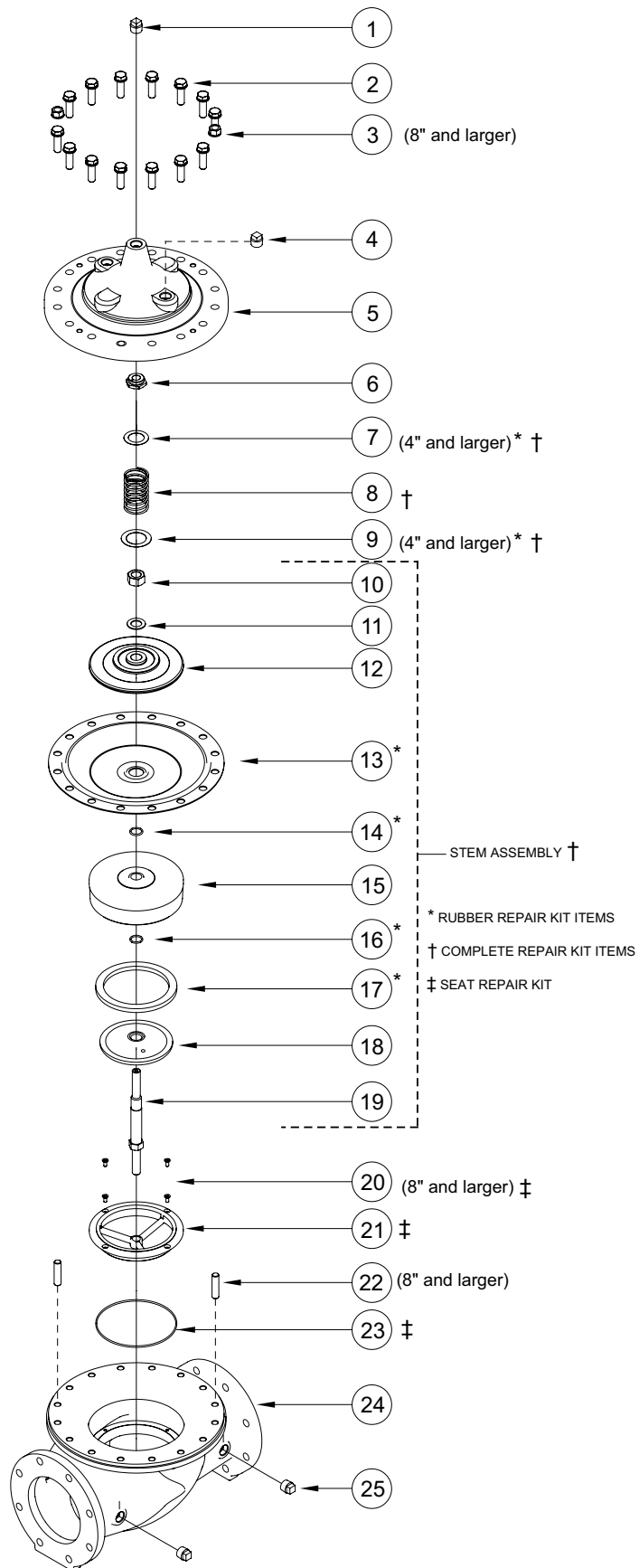
Repair Kit Components		Main Body Repair Kits																																																
		1 ¼ - 1 ½"				2"			2 ½"			3"			4"			6"		8"		10"		12"		14"		16"																						
Item #	Item Description	RK14-ZW200R	RK14-ZW200RV	RK14-ZW200C	RK14-ZW200SK	RK2-ZW200R	RK2-ZW200RV	RK2-ZW200C	RK2-ZW200SK	RK212-ZW200R	RK212-ZW200RV	RK212-ZW200C	RK212-ZW200SK	RK3-ZW200R	RK3-ZW200RV	RK3-ZW200C	RK3-ZW200SK	RK4-ZW200R	RK4-ZW200RV	RK4-ZW200C	RK4-ZW200SK	RK6-ZW200R	RK6-ZW200C	RK6-ZW200SK	RK8-ZW200R	RK8-ZW200C	RK8-ZW200SK	RK10-ZW200R	RK10-ZW200C	RK10-ZW200SK	RK12-ZW200R	RK12-ZW200C	RK12-ZW200SK	RK14-ZW200R	RK14-ZW200C	RK14-ZW200SK	RK16-ZW200R	RK16-ZW200C	RK16-ZW200SK											
1	Cover Center Plug																																																	
2	Cover Bolt																																																	
	Cover Bolt Washer																																																	
3	Cover Nuts																																																	
4	Cover Side Plug																																																	
5	Cover																																																	
6	Cover Stem Guide Bearing																																																	
7	Upper Spring Disc																																																	
8	Spring																																																	
9	Lower Spring Disc																																																	
10	Cover Stem Nut																																																	
11	Stem Washer																																																	
12	Diaphragm Disc																																																	
13	Diaphragm																																																	
14	Upper Stem O-Ring																																																	
15	Plunger, Disc Retainer																																																	
16	Lower Stem O-Ring																																																	
17	Seal Ring Disc																																																	
18	Seal Retainer Disc Guide																																																	
19	Stem																																																	
20	Seat Screw (x4)																																																	
21	Seat																																																	
22	Stud Cover																																																	
23	Seat O-Ring																																																	
24	Body																																																	
25	Body Plug																																																	

MODEL ZW200 ACV Main Body Assembly



Automatic Control Valves - 1 1/4" to 16"

Parts Drawing



MODEL 38-PV-PRD & 38-PV-PRDST

Pressure Reducing – 3/8" Pilot Valve

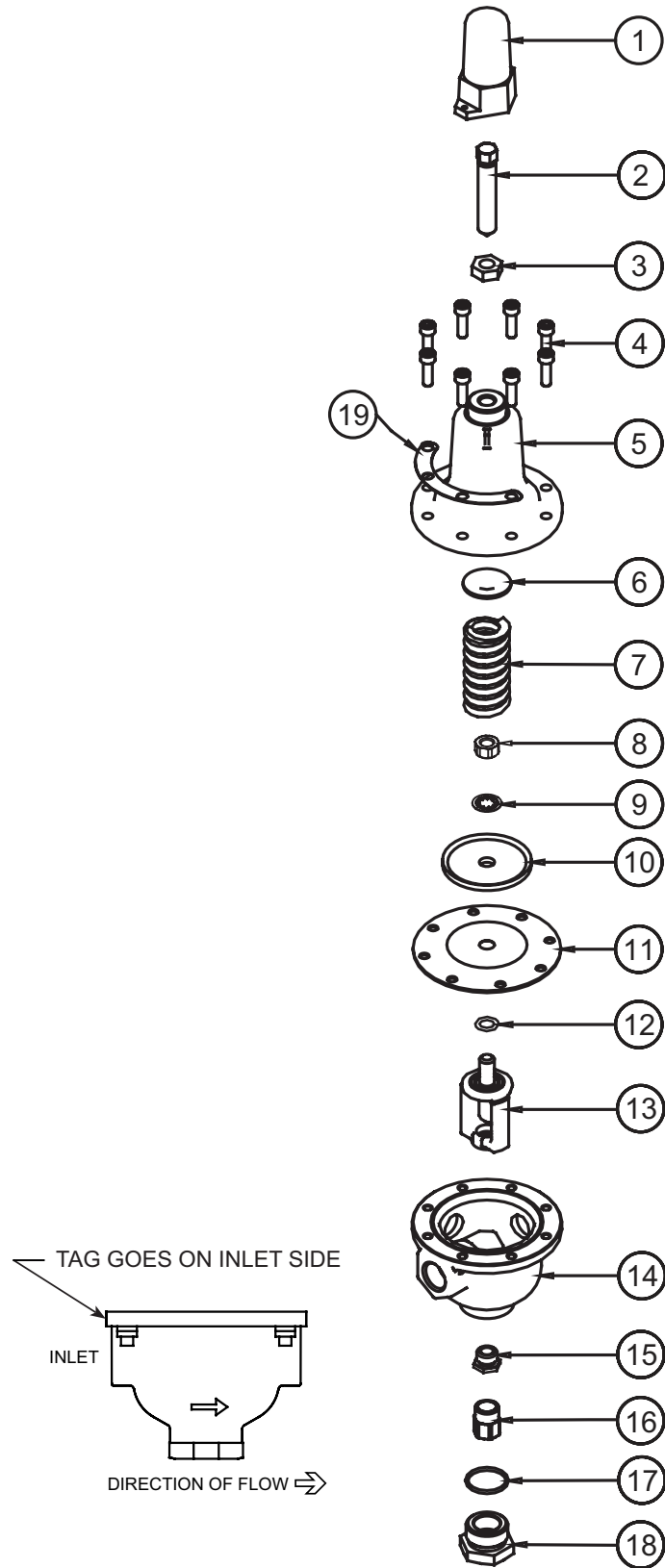


Repair Kit Components		Main Body Repair Kits					
		3/8"			3/8"		
Item #	Item Description	RK38-PV-PRD-25	RK38-PV-PRD-175	RK38-PV-PRD-300	RK38-PV-PRD-25V	RK38-PV-PRD-200V	RK38-PV-PRD-300V
1	ACV Pilot Adj Bolt Cap						
2	ACV Pilot Adj Bolt						
3	Nut, 3/8-16 ST/Steel						
4	Screw, 10-32-5/8 SS Cap						
5	Pilot Bell						
6	ACV Pilot Spring Disc						
7	Spring, 3/4" BR4 SS	•			•		
	ACV Pilot Spring 15-75 PSI						
	ACV Pilot Spring 20-200 PSI		•			•	
	ACV Pilot Spring 30-300 PSI			•			•
8	ACV Pilot Stem Nut						
9	ACV Pilot Stem Lock Washer						
10	ACV Pilot Diaphragm Disc						
11	ACV Pilot Diaphragm	•	•	•			
	ACV Pilot Diaphragm, Viton				•	•	•
12	O-Ring, NSF	•	•	•			
	O-Ring, Viton				•	•	•
13	ACV Pilot Stem/Yoke						
14	ACV Pilot Body						
15	ACV Pilot Seat						
16	ACV Pilot Plunger Seal Ring	•	•	•			
	ACV Pilot Plunger Seal Ring, Viton				•	•	•
17	O-Ring, FDA	•	•	•			
	O-Ring, Viton				•	•	•
18	ACV Pilot Main Cap						
19	Tag, Pressure Reducing Pilot 50-175 UL						
	Tag, Pressure Reducing Pilot 20-200 PSI						
	Tag, Pressure Reducing Pilot 30-300 PSI						
	Tag, Blank Pressure Relief						

MODEL 38-PV-PRD & 38-PV-PRDST

Automatic Control Valves - 1 1/4" to 8"

Parts Drawing



MODEL 12-PV-PRD, 34-PV-PRD, 12-PV-PRDST & 34-PV-PRDST



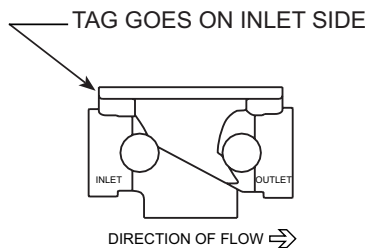
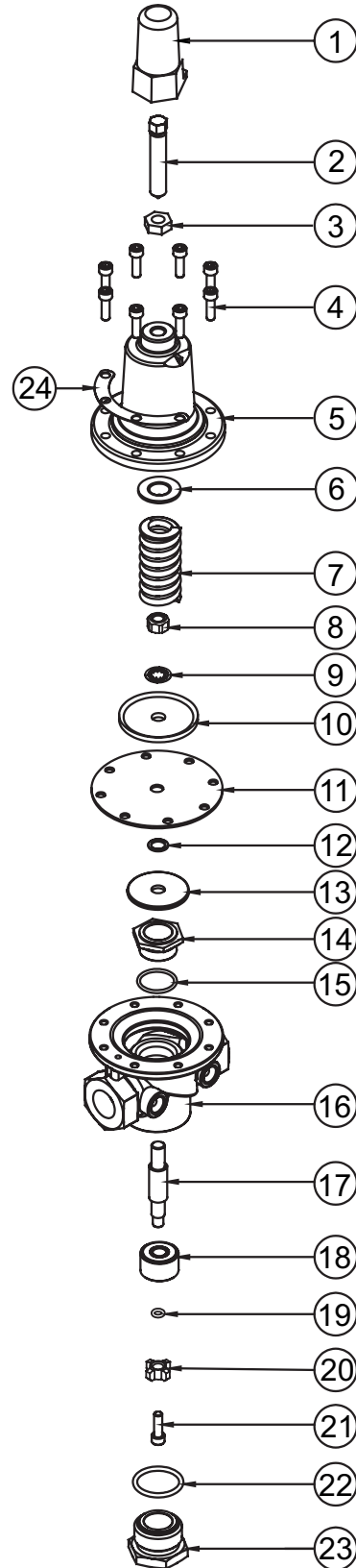
Automatic Control Valves – 1/2" and 3/4" Pilot Valve

Repair Kit Components		Main Body Repair Kits					
		1/2 - 3/4"			1/2 - 3/4"		
Item #	Item Description	RK12-PV-PRD-25	RK12-PV-PRD-175	RK12-PV-PRD-250	RK12-PV-PRD-25V	RK12-PV-PRD-200V	RK12-PV-PRD-300V
1	ACV Pilot Adj Bolt Cap						
2	ACV Pilot Adj Bolt						
3	Nut, 3/8-16 ST/Steel						
4	Screw, 10-32-5/8 SS Cap						
5	Pilot Bell						
6	ACV Pilot Spring Disc						
7	ACV Pilot Spring 5-25 PSI	•			•		
	ACV Pilot Spring 20-200 PSI		•			•	
	ACV Pilot Spring 30-250 PSI			•			•
8	ACV Pilot Stem Nut						
9	ACV Pilot Stem Lock Washer						
10	ACV Pilot Diaphragm Disc						
11	ACV Pilot Diaphragm	•	•	•			
	ACV Pilot Diaphragm, Viton				•	•	•
12	O-Ring, NSF	•	•	•			
	O-Ring, Viton				•	•	•
13	Stem Washer						
14	Seat						
15	O-Ring, NSF						
	O-Ring, Viton						
16	1/2" Body						
	3/4" Body						
17	Stem 3-Way						
18	Plunger Assy.	•	•	•			
	Plunger Assy. SS Viton				•	•	•
19	O-Ring	•	•	•			
	O-Ring, Viton				•	•	•
20	Washer Stem Guide						
21	Screw, 10-32-5/8 SS Cap						
22	O-Ring	•	•	•			
23	O-Ring, Viton				•	•	•
	1/2" PRD Main Cap						
24	Tag, Pressure Reducing Pilot 175 PSI UL						
	Tag, Pressure Reducing Pilot 30-250 PSI						
	Tag, Pressure Reducing Pilot 30-300 PSI						
	Tag, Blank Pressure Relief						

MODEL 12-PV-PRD, 34-PV-PRD, 12-PV-PRDST & 34-PV-PRDST



Automatic Control Valves – 1/2" and 3/4" Pilot Valve
Parts Drawing



MODEL 38-PRXL 38-PRST, 12-PRXL & 12-PRST



Automatic Control Valves – 1 ¼" to 3"

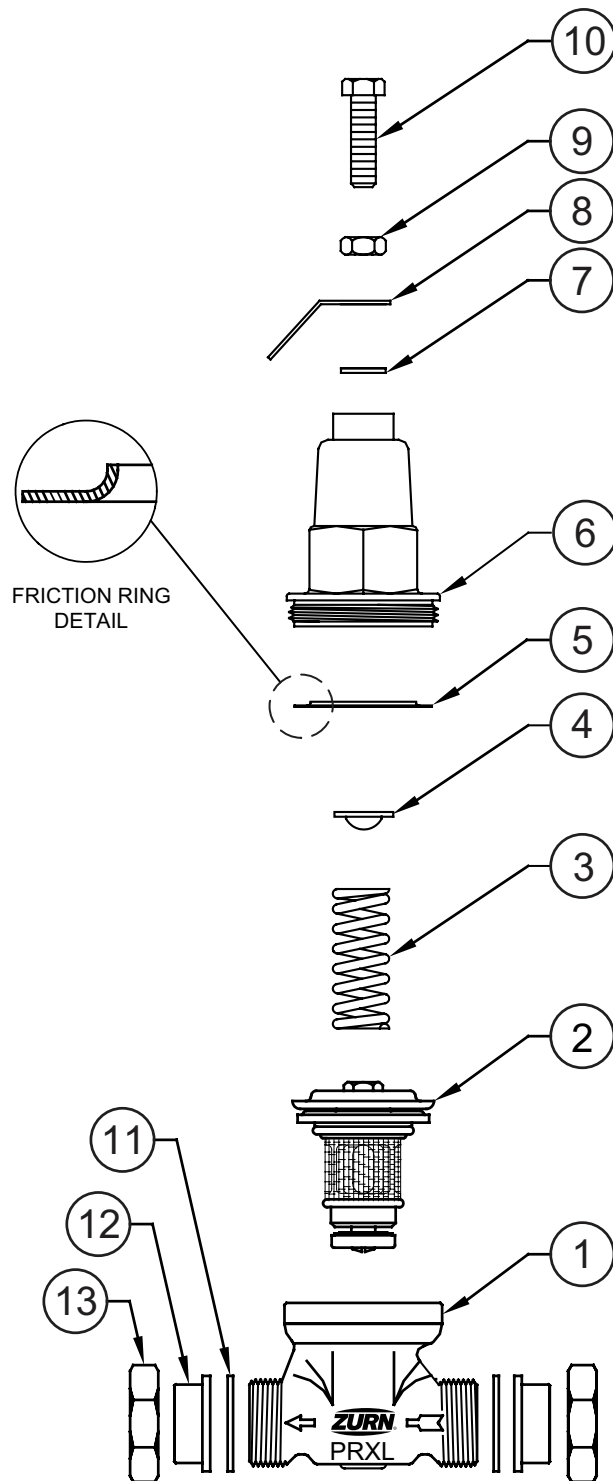
Repair Kit Components		Main Body Repair Kits					
		3/8"	3/8"	3"			
Item #	Item Description	RK38-PRXL	RK38-PRST	RK212-ZW200R	RK212-ZW200RV	RK212-ZW200C	RK212-ZW200SK
1	PR Body ^{3/8"} , ZW209XL FIN						
2	Cover Bolt						
	Cover Bolt Washer						
3	Cover Nuts						
4	Cover Side Plug						
5	Cover						
6	Cover Stem Guide Bearing						
7	Upper Spring Disc						
8	Spring					•	
9	Lower Spring Disc						
10	Cover Stem Nut					•	
11	Stem Washer					•	
12	Diaphragm Disc					•	
13	Diaphragm	•	•	•	•	•	
14	Upper Stem O-Ring	•	•	•	•	•	
15	Plunger, Disc Retainer					•	
16	Lower Stem O-Ring	•	•	•	•	•	
17	Seal Ring Disc	•	•	•	•	•	
18	Seal Retainer Disc Guide					•	
19	Stem					•	
20	Seat Screw (x4)						
21	Seat						•
22	Stud Cover						
23	Seat O-Ring						•
24	Body						
25	Body Plug						

MODEL 38-PRXL 38-PRST, 12-PRXL & 12-PRST



Automatic Control Valves - 1 1/4" to 8"

Parts Drawing



PRXL (3/8", 1/2")
PRST (3/8", 1/2")

MODEL 12-PV-ACL-2 & 12-PV-ACLST-2

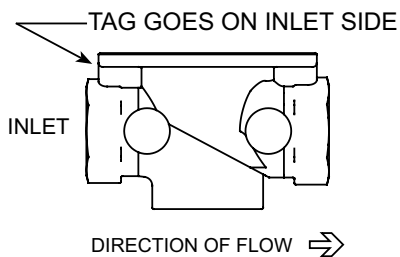
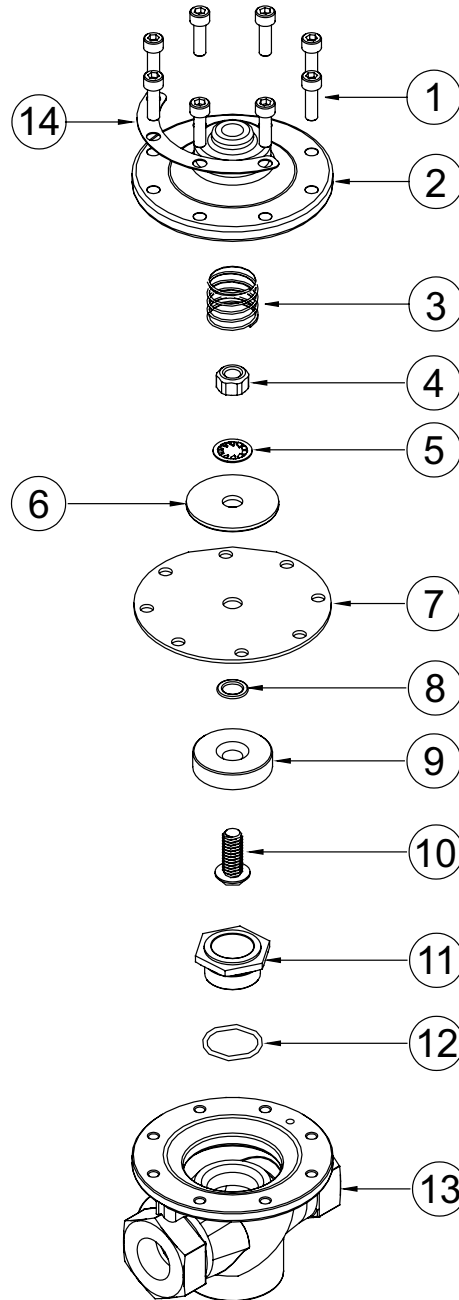


Automatic Control Valves – ½" Accelerator, 2-Way Used on ¼" to 10" ZW205E or ZW209E

Repair Kit Components		Main Body Repair Kit
Item #	Item Description	RK12-PV-ACL-2
1	SS Cap Srew, 10-32-5/8 8	
2	Accel Bell Pilot	
3	Accel Pilot Spring	•
4	ACV Pilot Stem Nut	
5	ACV Pilot Stem Lock Washer	
6	Stem Washer	
7	ACV Pilot Diaphragm	•
8	O-Ring, NSF	•
9	Plunger with Molded Rubber	•
10	Screw, 5/16-18X3/4 Button Skt HD	
11	Seat	
12	O-Ring	
13	½" Body	
14	WTAG, Accelerator Pilot	

MODEL 12-PV-ACL-2 & 12-PV-ACLST-2

Automatic Control Valves - 1/2" Accelerator, 2-Way Used on 1 1/4" to 10" ZW205E or ZW209E
Parts Drawing



MODEL 12-PV-ACL-3 & 12-PV-ACLST-3



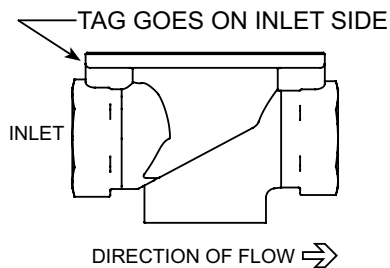
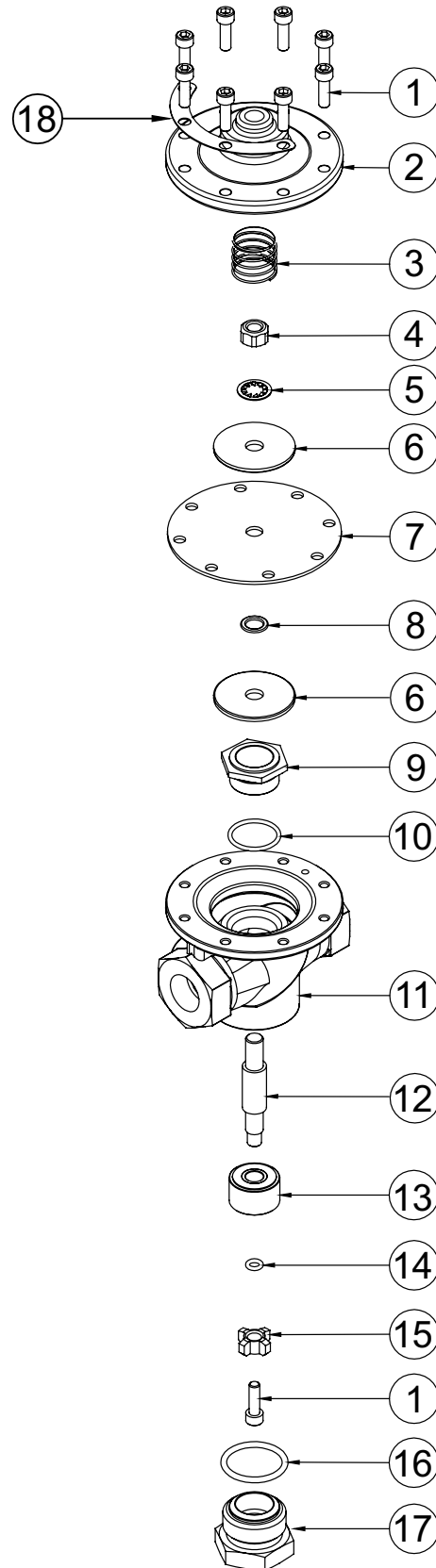
Automatic Control Valves – ½" Accelerator, 2-Way Used on 1 ¼" to 10" ZW205E or ZW209E

Repair Kit Components		Main Body Repair Kit
Item #	Item Description	RK12-PV-ACL-3
1	SS Cap Srew, 10-32-5/8 8	
2	Accel Bell Pilot	
3	Accel Pilot Spring	•
4	ACV Pilot Stem Nut	
5	ACV Pilot Stem Lock Washer	
6	Stem Washer	
7	ACV Pilot Diaphragm	•
8	O-Ring, NSF	•
9	Seat	
10	O-Ring	
11	½" Body	
12	Stem Washer	
13	Plunger with Molded Rubber	•
14	O-Ring	•
15	Washer Stem Guide	
16	O-Ring	•
17	Main Cap/Seat	
18	Tag, Acceperator Pilot	

MODEL 12-PV-ACL-3 & 12-PV-ACLST-3



Automatic Control Valves - 1/2" Accelerator Pilot, 3-Way Used on 4" to 10" ZW206, 8" to 10" ZW204
Parts Drawing



MODEL PV-FNM

Automatic Control Valves – 1 ¼" to 8"

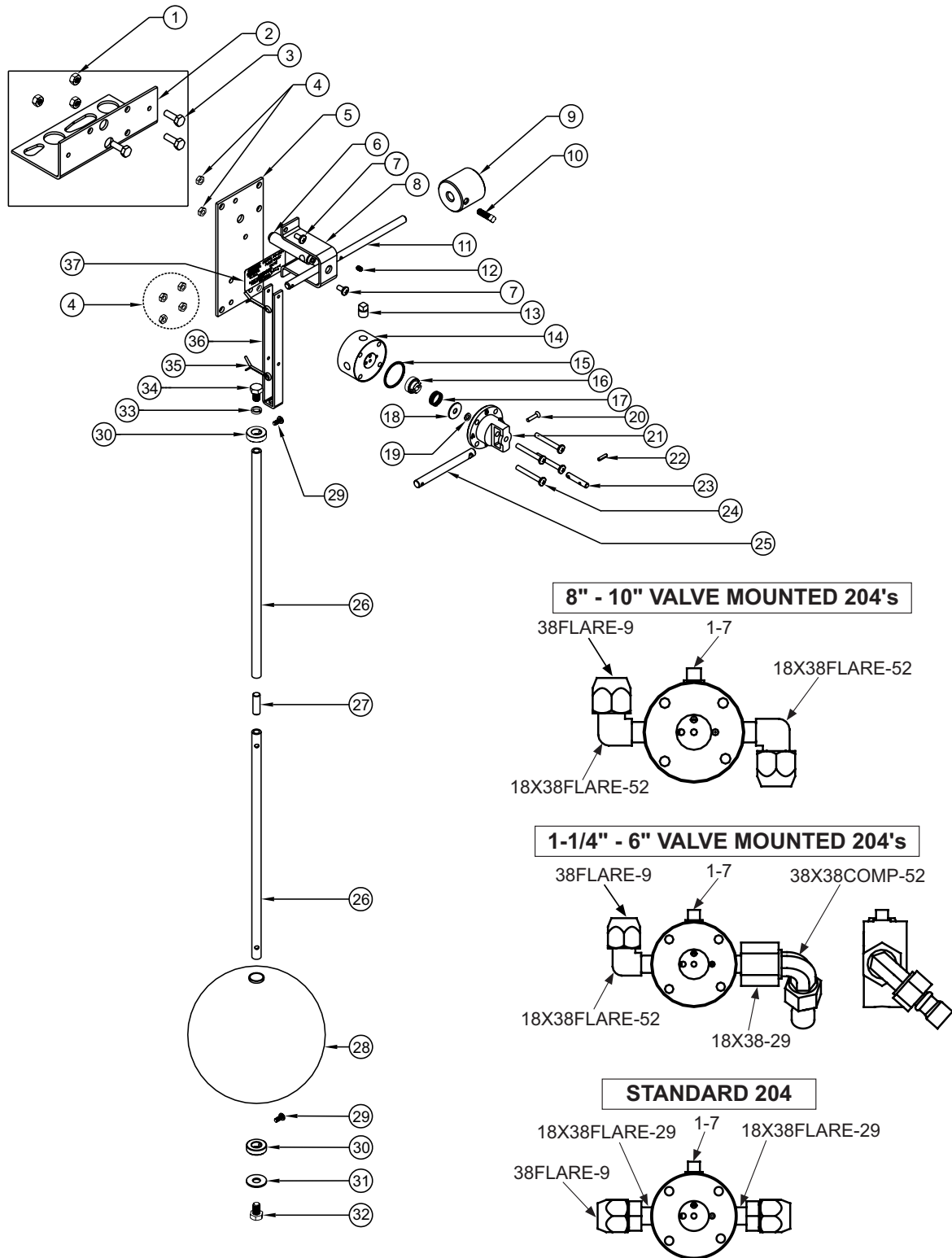


Repair Kit Components		Main Body Repair Kit
Item #	Item Description	RIK-PV-FNM
1	Nut, 1/4-20x7/32 SS	
2	ACV Cover Mount Bracket, EST/PV-FNM	
3	Bolt, 1/4-20x3/4" HX HD	
4	Hex Nut, 10-32 SS	•
5	Base Bracket Non-Mod Float Pilot	
6	Counter Weight Stem Non-Mod Float Pilot	
7	Screw, 10-32x3/8	
8	Counter Weight Bracket Non-Mod Float Pilot	
9	Valve Counterweight Non-Mod Flat Pilot	
10	1/4-20x3/4 SQ HD Set Screws SS, PV-FNM CW	
11	Counter Weight Rod Non-Mod Float Pilot	
12	Screw, 10-32x1/4 SS Cone Point Set	
13	Pipe Plug, 1/8" Brass	•
14	Valve Body Non Mod Float Pilot	•
15	O-Ring	•
16	Valve Seat Non-Mod Float Pilot	•
17	Valve Stem Spring Non-Mod Float Pilot	•
18	Valve Stem Washer Non-Mod Float Pilot	•
19	O-Ring	•
20	Screw, 6-32x5/8 SS FH	•
21	Valve Cover Non-Mod Float Pilot	•
22	Pin, 1/8x1/2 SS Roll Pin	•
23	Valve Stem Shaft	•
24	Screw, 10-32x1.5 SS PAN HD PHLP	•
25	Valve Pivot Rod Non_Mod Float Pilot	•
26	Float Rod SS Non-Mod Float Pilot	
27	Screw, 5/16-18x1 SS SKT Set	
28	SS Float 6" Non-Mod Float Pilot	
29	Screw, 8-32x3/8 SS Pan HD PHLP	
30	SS Rod Collar Non-Mod Float Pilot	
31	5/16 Washer SS, Float Rod End Stop PV-FNM	
32	Screw, 5/16-18x12 SS HEX HD	
33	5/16 Sckt Head Cap Screw Lock Washer SS, Float	
34	Screw, 5/16-18x1/2 SS HEX HD	
35	7/64x1-1/4" SS Cotter Pin, PV-FNM Pivot	
36	Vertical Rod Bracket Non_Mod Float Pilot	
37	Non-Modulating Float Tag	

MODEL PV-FNM

Automatic Control Valves - 1 1/4" to 8"

Parts Drawing



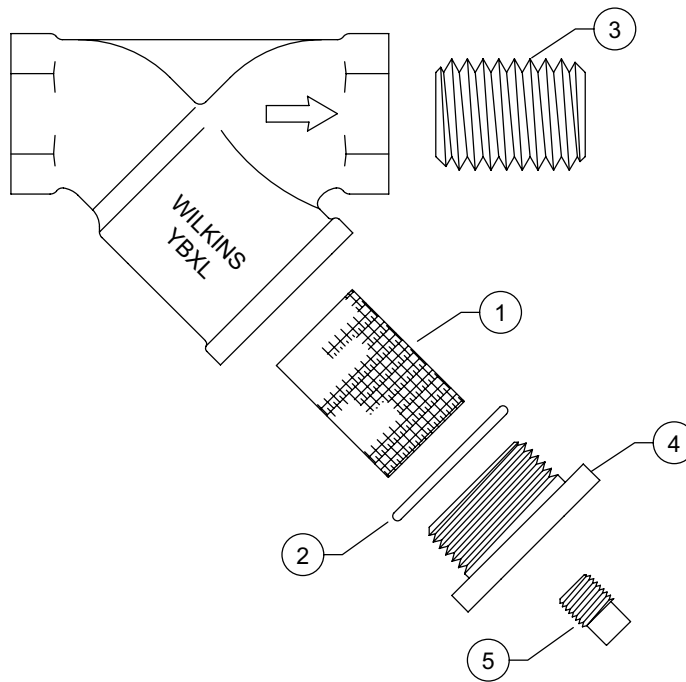
MODEL YBXL

Bronze Wye Type Strainer – 1/2" to 3"



Repair Kit Components		Complete Repair Kits							
		1/2"	3/4"	1"	1 1/4"	1 1/2"	2"	2 1/2"	3"
Item #	Item Description	RK12-YBXL	RK34-YBXL	RK1-YBXL	RK114-YBXL	RK112-YBXL	RK2-YBXL	RK212-YBXL	RK3-YBXL
1	Screen (20 Mesh)	•	•	•	•	•	•	•	•
2	O-Ring, Cap	•	•	•	•	•	•	•	•

Whole Goods (Available for individual sale)									
Item #	Item Description	1/2"	3/4"	1"	1 1/4"	1 1/2"	2"	2 1/2"	3"
1	Screen (40 Mesh)	111-41-40	112-41-40	113-41-40	114-41-40	115-41-40	116-41-40	107-41-40	108-41-40
	Screen (100 Mesh)	111-41-100	112-41-100	113-41-100	114-41-100	115-41-100	116-41-100	107-41-100	108-41-100
3	Nipple	101-21B	102-21B	103-21B	104-21B	105-21B	106-21B	107-21B	108-21B
4	Cap	111-3XL	112-3XL	113-3XL	114-3XL	115-3XL	116-3XL	107-3XL-010F	108-3XL-010F
5	Plug	101-7B	558-7	5510-7				558-7	



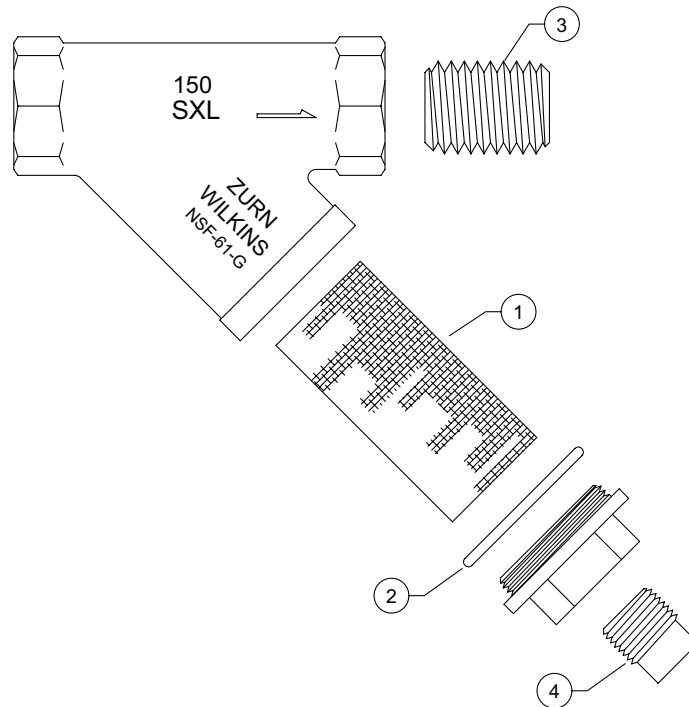
MODEL SXL

Cast Bronze Wye Type Strainer – 3/8" to 3"



Repair Kit Components		Complete Repair Kits								
		3/8"	1/2"	3/4"	1"	1 1/4"	1 1/2"	2"	2 1/2"	3"
Item #	Item Description	RK38-SXL	RK12-SXL	RK34-SXL	RK1-SXL	RK1 1/4-SXL	RK1 1/2-SXL	RK2-SXL	RK2 1/2-SXL	RK3-SXL
1	Screen (20 Mesh)	•	•	•	•	•	•	•	•	•
2	O-Ring, Cap	•	•	•	•	•	•	•	•	•

Whole Goods (Available for individual sale)									
Item #	Item Description	1/2"	3/4"	1"	1 1/4"	1 1/2"	2"	2 1/2"	3"
3	Nipple	101-21B	102-21B	103-21B	104-21B	105-21B	106-21B	107-21B	108-21B
4	Plug	101-7B			558-7				

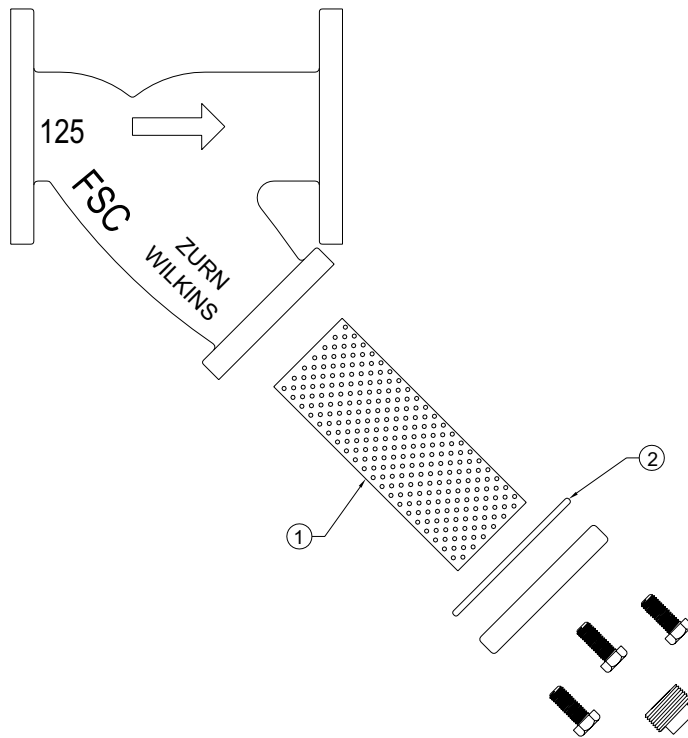


MODEL FSC

Ductile Iron Wye Type Strainer – 2 1/2" to 10"



Repair Kit Components		Complete Repair Kits					
		2 1/2"	3"	4"	6"	8"	10"
Item #	Item Description	RK212-FSC	RK3-FSC	RK4-FSC	RK6-FSC	RK8-FSC	RK10-FSC
1	Screen	●	●	●	●	●	●
2	Gasket	●	●	●	●	●	
	O-Ring, Cover			●	●	●	●

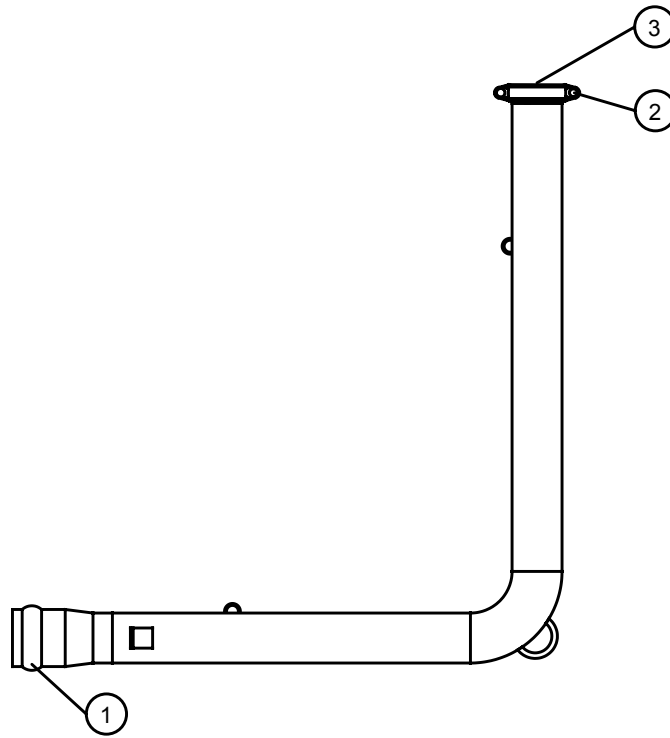


MODEL WBR

In Building Riser – 4" to 10"



Repair Kit Components		Complete Repair Kits			
		4"	6"	8"	10"
Item #	Item Description	RK4-WBR	RK6-WBR	RK8-WBR	RK10-WBR
1	Bell Gasket	•	•	•	•
2	Coupling (Grooved Only)	•	•	•	•
3	Test Cap (Grooved Only)	•	•	•	•



NOTES

NOTES

NOTES

NOTES

