

Specification Drainage

SD0118 Customer Guide
EZ1™ Cast Iron Addendum



ZURN.COM US 1.855.ONE.ZURN CANADA 1.905.405.8272

Effective October 17, 2017
Replaces All Previous Price Lists



A SPEEDY SETUP
Sold complete and ready to install, EZ1 is an intuitive product that saves contractors time and money.

LONG-TERM DURABILITY
Whether cast iron or plastic, EZ1 is crafted to stand up against wear and tear over the product's lifecycle.

DESIGNED TO RUN LIKE CLOCKWORK
EZ1's integrated engineering, which includes an easy post-pour adjustment and tilt accessory package, delivers high-level functionality and requires minimal skill to install or maintain.

SAVE OVER
14 MINUTES
PER DRAIN INSTALL

Introducing the EZ1™, It's About Time

Contractors have waited long enough for a floor drain that's easy to install and built for the long haul. Zurn's EZ1—available in cast iron and plastic—comes out of the box as a complete system, allows for post-pour adjustment with an integrated strainer, provides job-site flexibility and maintains ongoing reliability.

Don't hesitate. Make the EZ choice. [Learn more at zurn.com/ez1](http://zurn.com/ez1)



ZURN.COM
US 1.855.ONE.ZURN CANADA 1.905.405.8272



Z1072 - ZShield™

Floor Drain Barrier Trap Seal

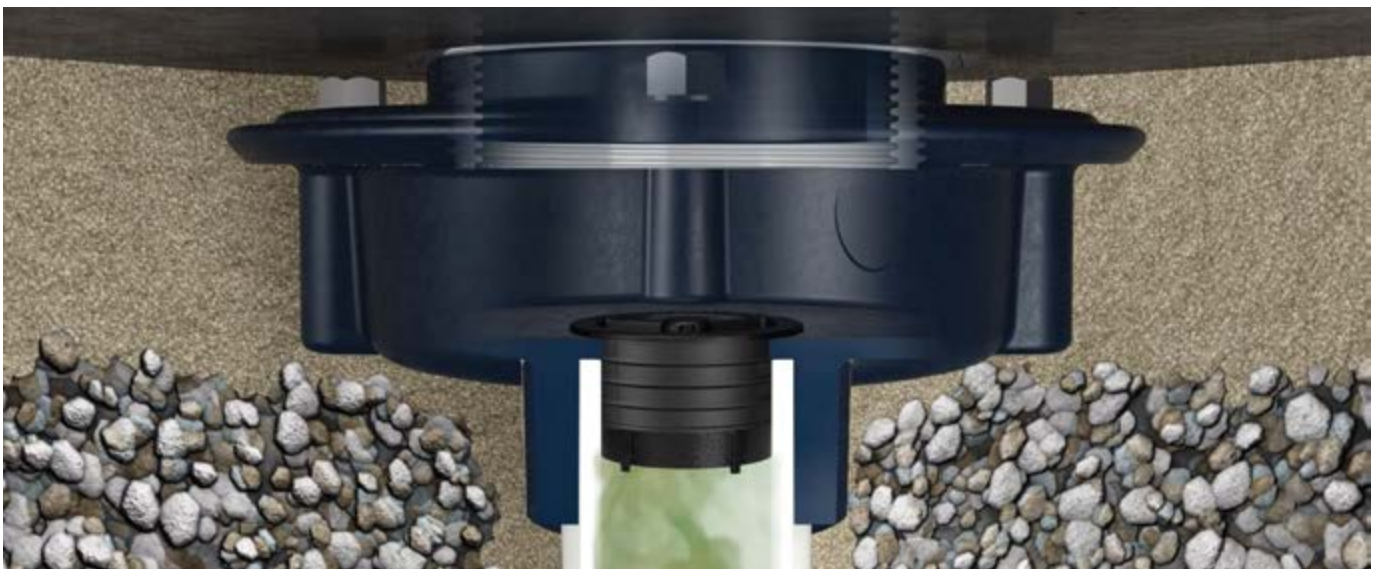


Z1072 ZShield Barrier Trap Seal
Available in 2", 3", 3-1/2", 4"

Discover the paired performance of the ZShield and EZ1™ Technology. The leading drain manufacturer now offers the easiest to install barrier trap, the ZShield minimizes evaporation, preventing odors, gases, and insects from entering up through the drain.

Features and Benefits

- Universally designed to easily be installed in almost any floor drain
- Designed for new construction and retrofit applications
- ASSE, ICC and IAPMO Approved



Visit our [ZShield Product Page](#)
for more information,
or scan the QR code.



ZShield™ Z1072 Floor Drain Barrier Trap Seal

Engineering Specification

ZURN Z1072 Barrier trap seal device for use with floor drains to minimize trap evaporation. Product is comprised of an ABS rigid structure, silicone gasket and seal for 2" [51 mm], 3" [76 mm], 3-1/2" [89 mm], and 4" [102 mm] sizes. Device is engineered to comply with the performance requirements of ASSE 1072 standard and is third party listed with IAPMO (cUPC) and ICC (ICC cES PMG).

ZShield Approvals

- ASSE® Listed 1072-2007
- ICC
- IAPMO® Listed

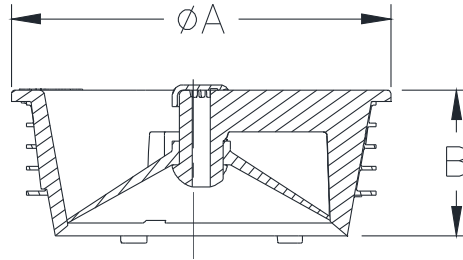
Complete System Saving Time and Money

Zurn Commercial Drainage takes pride in our effort to always bring the contractor new products that save time and allow for job site flexibility. Pairing the new ZShield for either new construction or retrofit application, allows for easy installation utilizing the neoprene gasket for a secure fit.

A Name You Can Trust

From the contractor to the building owner, Zurn has always provided products that provide a safe and effective solution. Pair your drain with a ZShield Barrier Trap for that extra security and aesthetics your building requires.

PRODUCT DESIGNATION	DIMENSIONS IN INCHES [MM]		ASSE 1072 FLOW RATE GPM [LPM]
	A	B	
Z1072-2	3.20 [81]	1.22 [31]	12 [45.4]
Z1072-3	3.25 [83]	1.25 [32]	34 [128.7]
Z1072-3.5	3.53 [90]	1.30 [33]	52 [196.8]
Z1072-4	4.13 [105]	1.30 [33]	72 [276.4]



Pipe/Outlet Options

- -2 Barrier Trap Seal for 2"
- -3 Barrier Trap Seal for 3"
- -3.5 Barrier Trap Seal for 3-1/2"
- -4 Barrier Trap Seal for 4"



ZURN INDUSTRIES, LLC Commercial Drainage Operation
1801 Pittsburgh Avenue, Erie, PA 16502, 855-663-9876

In Canada: **ZURN INDUSTRIES LIMITED** 7900 Goreway Drive, Unit 10, Brampton, Ontario L6T 5W6, 905-405-8272

Form No. 230-023, 10/17



US 1.855.0NE.ZURN CANADA 1.905.405.8272 ZURN.COM

Introducing the Cast Iron EZ1™

Nomenclature Decoder



SHIM KIT

Shims built into the rough-in cover for tilt adjustment, screws included.

ROUGH-IN COVER

Designed to stand up to rigorous jobsites with 3,000 lb load rating.

PROTECTIVE LABEL

Keeps grate/cover finish intact until the job is complete.

COVER OPTIONS

BZ1 = Round with Post-Pour Adjustability

SZ1 = Square with Post-Pour Adjustability

ZN = Polished Nickel Bronze Top*

ZB = Polished Bronze Top

ZS = Polished Stainless Steel Top

BODY OPTIONS

IC = Inside Caulk

IG = Inside Gasket

IP = Threaded

NH = No-Hub

NL = Neo-Loc

OUTLET SIZES

Available in outlet sizes ranging from 2" through 6"

A Whole Family of Product

-**BZ1** = Round cast iron floor drain or cleanout

-**SZ1** = Square cast iron floor drain or cleanout

-**DP** = Cast iron deck plate floor drain or cleanout

*Comes standard with nickel bronze unless otherwise noted.

Model Number Example

[ZN][415]-[3][NH]-[5][S][Z1]-[DP]

ZN = Denotes cover material

415 or **1400** = Denotes floor drain or cleanout

3 = Denotes outlet size

NH = Denotes outlet type

5, 6, or 8 = Denotes cover size

S = Denotes round or square

Z1 = Denotes post-pour adjustability

DP = Denotes deck plate

EZ1™ Model Numbers

Reference List



Cast Iron Drains

DESCRIPTION	MODEL NUMBER
5" Round Bronze, 2" No-Hub Outlet	ZB415-2NH-5BZ1
5" Round Bronze, 2" Push On Outlet	ZB415-2NL-5BZ1
5" Round Bronze, 2" Push On Outlet	ZB415-2NL-5BZ1
5" Round Bronze, 3" No-Hub Outlet	ZB415-3NH-5BZ1
5" Round Bronze, 3" Push On Outlet	ZB415-3NL-5BZ1
5" Round Bronze, 3" Push On Outlet	ZB415-3NL-5BZ1
5" Round Nickel Bronze, 2" No-Hub Outlet	ZN415-2NH-5BZ1
5" Round Nickel Bronze, 2" Push On Outlet	ZN415-2NL-5BZ1
5" Round Nickel Bronze, 2" Push On Outlet	ZN415-2NL-5BZ1
5" Round Nickel Bronze, 3" No-Hub Outlet	ZN415-3NH-5BZ1
5" Round Nickel Bronze, 3" Push On Outlet	ZN415-3NL-5BZ1
5" Round Nickel Bronze, 3" Push On Outlet	ZN415-3NL-5BZ1
5" Round Stainless Steel, 2" No-Hub Outlet	ZS415-2NH-5BZ1
5" Round Stainless Steel, 2" Push On Outlet	ZS415-2NL-5BZ1
5" Round Stainless Steel, 2" Push On Outlet	ZS415-2NL-5BZ1
5" Round Stainless Steel, 3" No-Hub Outlet	ZS415-3NH-5BZ1
5" Round Stainless Steel, 3" Push On Outlet	ZS415-3NL-5BZ1
5" Round Stainless Steel, 3" Push On Outlet	ZS415-3NL-5BZ1
5" Square Bronze, 2" No-Hub Outlet	ZB415-2NH-5SZ1
5" Square Bronze, 2" Push On Outlet	ZB415-2NL-5SZ1
5" Square Bronze, 2" Push On Outlet	ZB415-2NL-5SZ1
5" Square Bronze, 3" No-Hub Outlet	ZB415-3NH-5SZ1
5" Square Bronze, 3" Push On Outlet	ZB415-3NL-5SZ1
5" Square Bronze, 3" Push On Outlet	ZB415-3NL-5SZ1
5" Square Nickel Bronze, 2" No-Hub Outlet	ZN415-2NH-5SZ1
5" Square Nickel Bronze, 2" Push On Outlet	ZN415-2NL-5SZ1
5" Square Nickel Bronze, 2" Push On Outlet	ZN415-2NL-5SZ1
5" Square Nickel Bronze, 3" No-Hub Outlet	ZN415-3NH-5SZ1
5" Square Nickel Bronze, 3" Push On Outlet	ZN415-3NL-5SZ1
5" Square Nickel Bronze, 3" Push On Outlet	ZN415-3NL-5SZ1
5" Square Stainless Steel, 2" No-Hub Outlet	ZS415-2NH-5SZ1
5" Square Stainless Steel, 2" Push On Outlet	ZS415-2NL-5SZ1
5" Square Stainless Steel, 2" Push On Outlet	ZS415-2NL-5SZ1
5" Square Stainless Steel, 3" No-Hub Outlet	ZS415-3NH-5SZ1
5" Square Stainless Steel, 3" Push On Outlet	ZS415-3NL-5SZ1
5" Square Stainless Steel, 3" Push On Outlet	ZS415-3NL-5SZ1

DESCRIPTION	MODEL NUMBER
6" Round Bronze, 2" No-Hub Outlet	ZB415-2NH-6BZ1
6" Round Bronze, 2" Push On Outlet	ZB415-2NL-6BZ1
6" Round Bronze, 3" No-Hub Outlet	ZB415-3NH-6BZ1
6" Round Bronze, 3" Push On Outlet	ZB415-3NL-6BZ1
6" Round Bronze, 4" No-Hub Outlet	ZB415-4NH-6BZ1
6" Round Bronze, 4" Push On Outlet	ZB415-4NL-6BZ1
6" Round Nickel Bronze, 2" No-Hub Outlet	ZN415-2NH-6BZ1
6" Round Nickel Bronze, 2" Push On Outlet	ZN415-2NL-6BZ1
6" Round Nickel Bronze, 3" No-Hub Outlet	ZN415-3NH-6BZ1
6" Round Nickel Bronze, 3" Push On Outlet	ZN415-3NL-6BZ1
6" Round Nickel Bronze, 4" No-Hub Outlet	ZN415-4NH-6BZ1
6" Round Nickel Bronze, 4" Push On Outlet	ZN415-4NL-6BZ1
6" Round Stainless Steel, 2" No-Hub Outlet	ZS415-2NH-6BZ1
6" Round Stainless Steel, 2" Push On Outlet	ZS415-2NL-6BZ1
6" Round Stainless Steel, 3" No-Hub Outlet	ZS415-3NH-6BZ1
6" Round Stainless Steel, 3" Push On Outlet	ZS415-3NL-6BZ1
6" Round Stainless Steel, 4" No-Hub Outlet	ZS415-4NH-6BZ1
6" Round Stainless Steel, 4" Push On Outlet	ZS415-4NL-6BZ1
6" Square Bronze, 2" No-Hub Outlet	ZB415-2NH-6SZ1
6" Square Bronze, 2" Push On Outlet	ZB415-2NL-6SZ1
6" Square Bronze, 3" No-Hub Outlet	ZB415-3NH-6SZ1
6" Square Bronze, 3" Push On Outlet	ZB415-3NL-6SZ1
6" Square Bronze, 4" No-Hub Outlet	ZB415-4NH-6SZ1
6" Square Bronze, 4" Push On Outlet	ZB415-4NL-6SZ1
6" Square Nickel Bronze, 2" No-Hub Outlet	ZN415-2NH-6SZ1
6" Square Nickel Bronze, 2" Push On Outlet	ZN415-2NL-6SZ1
6" Square Nickel Bronze, 3" No-Hub Outlet	ZN415-3NH-6SZ1
6" Square Nickel Bronze, 3" Push On Outlet	ZN415-3NL-6SZ1
6" Square Nickel Bronze, 4" No-Hub Outlet	ZN415-4NH-6SZ1
6" Square Nickel Bronze, 4" Push On Outlet	ZN415-4NL-6SZ1
6" Square Stainless Steel, 2" No-Hub Outlet	ZS415-2NH-6SZ1
6" Square Stainless Steel, 2" Push On Outlet	ZS415-2NL-6SZ1
6" Square Stainless Steel, 3" No-Hub Outlet	ZS415-3NH-6SZ1
6" Square Stainless Steel, 3" Push On Outlet	ZS415-3NL-6SZ1
6" Square Stainless Steel, 4" No-Hub Outlet	ZS415-4NH-6SZ1
6" Square Stainless Steel, 4" Push On Outlet	ZS415-4NL-6SZ1

ZURN INDUSTRIES, LLC Commercial Drainage Operation
1801 Pittsburgh Avenue, Erie, PA 16502, 855-663-9876

In Canada: ZURN INDUSTRIES LIMITED 7900 Goreway Drive, Unit 10, Brampton, Ontario L6T 5W6, 905-405-8272

Form No. 230-031-1, 10/17



US 1.855.ONE.ZURN CANADA 1.905.405.8272 ZURN.COM

Z415-BZ1 BODY ASSEMBLY W/ "TYPE B" STRAINER AND EZ1™ TECHNOLOGY



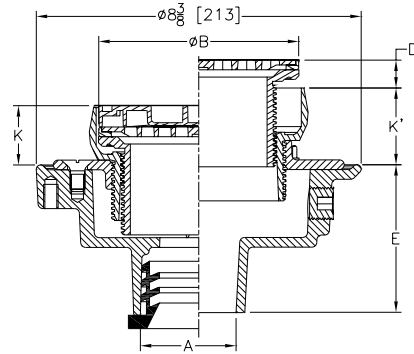
Patent Pending

ENGINEERING SPECIFICATION

Zurn Z415-BZ1 floor and shower drain features Dura-coated cast iron body with bottom outlet, combination invertible membrane clamp and adjustable collar with seepage slots, and top assembly. EZ1 drainage series is engineered to simplify product installation, comprised of concrete shield, up to 1-1/4" [32] of vertical post pour adjustment, pre-packaged shims for tilt correction and integrated self-contained "Type B" light duty strainer with rough-in cover for protection during concrete pour.

NOTES

Minimum K dimension only with -LR option for 6" and 8"



Strainer Designation	Dimensions in inches								Strainer Open Area Sq. In [cm²]	Approximate Weight lb [kg]
	A Pipe Size	B Strainer Dia.	D		K		K'			
			Min.	Max.	Min.	Max.	Min.	Max.		
-5B	2-3 [51-76]	5 [127]	0	1-1/4 [32]	1-1/2 [38]	2-23/32 [69]	2-1/32 [51]	3-7/32 [82]	6-1/4 [40]	16 [7]
-6B	2-3-4 [51-76-102]	6 [152]	0	1-1/4 [32]	1-1/2 [38]	2-9/16 [65]	1-31/32 [50]	3-5/32 [80]	9 [58]	19 [9]
-8B	3-4 [76-102]	8 [203]	0	1-7/32 [31]	1-7/8 [48]	2-29/32 [74]	2-13/32 [61]	3-1/2 [89]	20 [129]	24 [11]
-8B	6 [152]	8 [203]	0	1-7/32 [31]	1-7/8 [48]	2-29/32 [74]	2-13/32 [61]	3-1/2 [89]	20 [129]	26 [12]

PREFIXES	DESCRIPTION	STRAINER DESIG.	PIPE SIZE	LIST PRICE
ZN415-BZ1*	D.C.C.I. Body Assembly with Polished Nickel Bronze Top	-5B	2", 3"	363.00
		-6B	2", 3", 4"	444.00
		-8B	3", 4", 6"	1,050.00
ZB415-BZ1	D.C.C.I. Body Assembly with Polished Bronze Top	-5B	2", 3"	345.00
		-6B	2", 3", 4"	401.00
		-8B	3", 4", 6"	1,016.00
ZS415-BZ1	D.C.C.I. Body Assembly with Stainless Steel Top	-5B	2", 3"	783.00
		-6B	2", 3", 4"	977.00
		-8B	3", 4", 6"	1,320.00

OUTLETS (SPECIFY PIPE SIZE IN INCHES AND TYPE OF OUTLET)				
OUTLET TYPE		PIPE SIZE/ OUTLET TYPE	E BODY HT. DIM.	ADD
IC	Inside Caulk	2IC, 3IC, 4IC	4-13/16"	N/C
IG	Inside Gasket	2IG, 3IG, 4IG	4-13/16"	N/C
IP	Threaded	2IP	2-7/16"	59.00
		3IP	2-3/4"	59.00
		4IP	2-13/16"	59.00
		6IP	2-7/8"	59.00
NH	No-Hub	2NH, 3NH, 4NH	3-13/16"	N/C
NL	Neo-Loc	2NL, 3NL, 4NL	3-7/8"	N/C

SUFFIXES		ADD
-AR	Acid Resisting Epoxy Coated Cast Iron	127.00
Ⓢ -EF	3/4" Extension Frame	223.00
-G	Galvanized Cast Iron	148.00
-LR	Low Rough-In (For 6" & 8" Only)	N/C
-P	Trap Primer Connection (Specify 1/2" or 3/4")	N/C
Ⓢ -SA	Stabilizer Assembly (See Z1035)	-
Ⓢ -SQ	Stabilizer Q-deck (See Z1035-Q)	-
Ⓢ -SR	Stabilizer Ring (See Z400-SR)	-
Ⓢ -TC	Neo-Loc Test Cap Gasket (2", 3", 4" NL Bottom Outlet Only)	17.00
-TSP	Trap Seal Protection Device (Size Matches Drain Outlet Selected, See Z1072)	POA
-U	2"-3-1/4" High Extension Adapter	D.C. 104.00
-VP	Vandal-Proof Secured Top	42.00
-Y	Sediment Bucket	81.00

*Regularly furnished unless otherwise specified.

Ⓢ This symbol denotes a product that is engineered to reduce installation and rework time.

For Additional Product Information, Please Visit www.zurn.com

Z415-SZ1 BODY ASSEMBLY W/ "TYPE S" STRAINER AND EZ1™ TECHNOLOGY



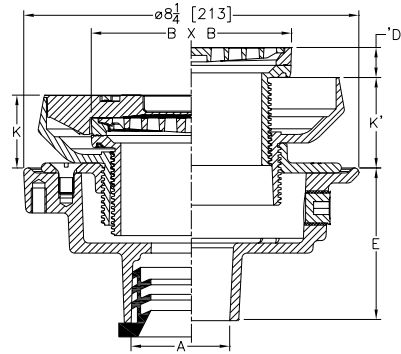
Patent Pending

ENGINEERING SPECIFICATION

Zurn Z415-SZ1 floor and shower drain features Dura-coated cast iron body with bottom outlet, combination invertible membrane clamp, and adjustable collar with seepage slots and top assembly. EZ1 drainage series is engineered to simplify product installation, comprised of concrete shield, up to 1-1/4" [32] of vertical post pour adjustment, pre-packaged shims for tilt correction and integrated self-contained "Type S" nickel bronze light duty strainer with rough-in cover for protection during concrete pour.

NOTES

Minimum K dimension only with -LR option



Strainer Designation	Dimensions in inches								Strainer Open Area Sq. In [cm ²]	Approximate Weight lb [kg]
	A Pipe Size	BxB Strainer Top Size	D		K		K'			
			Min.	Max.	Min.	Max.	Min.	Max.		
-5S	2-3 [51-76]	5 X 5 [127 X 127]	0	1-1/4 [32]	1-25/32 [45]	2-7/8 [73]	2-9/32 [58]	3-11/32 [85]	9 [58]	19 [9]
-6S	2-3-4 [51-76-102]	6 X 6 [152 X 152]	0	1-1/4 [32]	1-27/32 [47]	2-29/32 [74]	2-11/32 [60]	3-1/2 [89]	13 [84]	22 [10]
-8S	3-4 [76-102]	8 X 8 [203 X 203]	0	1-3/16 [30]	2-1/4 [57]	3-11/32 [85]	2-3/4 [70]	3-13/16 [97]	27 [174]	27 [12]
-8S	6 [152]	8 X 8 [203 X 203]	0	1-3/16 [30]	2-1/4 [57]	3-11/32 [85]	2-3/4 [70]	3-13/16 [97]	27 [174]	28 [13]

PREFIXES	DESCRIPTION	STRAINER DESIG.	PIPE SIZE	LIST PRICE
ZN415-SZ1*	D.C.C.I. Body Assembly with Polished Nickel Bronze Top	-5S	2", 3"	484.00
		-6S	2", 3", 4"	540.00
		-8S	3", 4", 6"	783.00
ZB415-SZ1	D.C.C.I. Body Assembly with Polished Bronze Top	-5S	2", 3"	444.00
		-6S	2", 3", 4"	511.00
		-8S	3", 4", 6"	711.00
ZS415-SZ1	D.C.C.I. Body Assembly with Stainless Steel Top	-5S	2", 3"	820.00
		-6S	2", 3", 4"	1,005.00
		-8S	3", 4", 6"	1,363.00

OUTLETS (SPECIFY PIPE SIZE IN INCHES AND TYPE OF OUTLET)				
OUTLET TYPE		PIPE SIZE/OUTLET TYPE	E BODY HT. DIM.	ADD
IC	Inside Caulk	2IC, 3IC, 4IC	4-13/16"	N/C
IG	Inside Gasket	2IG, 3IG, 4IG	4-13/16"	N/C
IP	Threaded	2IP	2-7/16"	59.00
		3IP	2-3/4"	59.00
		4IP	2-13/16"	59.00
		6IP	2-7/8"	59.00
NH	No-Hub	2NH, 3NH, 4NH	3-13/16"	N/C
NL	Neo-Loc	2NL, 3NL, 4NL	3-7/8"	N/C

SUFFIXES		ADD
-AR	Acid Resisting Epoxy Coated Cast Iron	127.00
⊙ -EF	3/4" Extension Frame	223.00
-G	Galvanized Cast Iron	148.00
-LR	Low Rough-In	N/C
-P	Trap Primer Connection (Specify 1/2" or 3/4")	N/C
⊙ -SA	Stabilizer Assembly (See Z1035)	-
⊙ -SQ	Stabilizer Q-deck (See Z1035-Q)	-
⊙ -SR	Stabilizer Ring (See Z400-SR)	-
⊙ -TC	Neo-Loc Test Cap Gasket (2", 3", 4" NL Bottom Outlet Only)	17.00
-TSP	Trap Seal Protection Device (Size Matches Drain Outlet Selected, See Z1072)	POA
-U	2"-3-1/4" High Extension Adapter	D.C. 103.00
-VP	Vandal-Proof Secured Top	42.00
-Y	Sediment Bucket	81.00

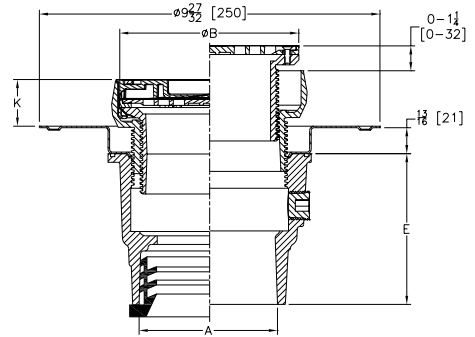
Z415-BZ1-DP BODY ASSEMBLY W/ "TYPE B" STRAINER, DECK PLATE AND EZ1™ TECHNOLOGY



Patent Pending

ENGINEERING SPECIFICATION

Zurn Z415-BZ1-DP floor and shower drain features Dura-Coated cast iron body with bottom outlet, stainless steel deck plate and top assembly. EZ1 drainage series is engineered to simplify product installation, comprised of concrete shield to provide up to 1-1/4" [32] of vertical post pour adjustment, pre-packaged shims for tilt correction, and integrated, self-contained "Type B" light duty strainer with rough-in cover for protection during concrete pour.



Strainer Designation	Dimensions in inches				Strainer Open Area Sq. In [cm ²]	Approximate Weight lb [kg]
	A Pipe Size	B Strainer Diameter	K			
			Min.	Max.		
-5B	2-3-4 [51-76-102]	5 [127]	5/8 [16]	1-21/32 [17]	6-1/4 [40]	16 [7]

PREFIXES	DESCRIPTION	STRAINER DESIG.	PIPE SIZE	LIST PRICE
ZN415-5BZ1-DP*	D.C.C.I. Body Assembly with Polished Nickel Bronze Top	-5B	2", 3", 4"	477.00
ZB415-5BZ1-DP	D.C.C.I. Body Assembly with Polished Bronze Top	-5B	2", 3", 4"	459.00
ZS415-5BZ1-DP	D.C.C.I. Body Assembly with Stainless Steel Top	-5B	2", 3", 4"	879.00

OUTLETS (SPECIFY PIPE SIZE IN INCHES AND TYPE OF OUTLET)				
OUTLET TYPE		PIPE SIZE/ OUTLET TYPE	E BODY HT. DIM.	ADD
NH	No-Hub	2NH, 3NH	4-3/4"	N/C
		4NH	4-3/8"	N/C
NL	Neo-Loc	2NL	5-1/4"	N/C
		3NL, 4NL	4-3/8"	N/C

SUFFIXES		ADD
-AR	Acid Resisting Epoxy Coated Cast Iron	127.00
-CC	Stainless Steel Clamp Collar	125.00
⌚ -EF	3/4" Extension Frame	223.00
-G	Galvanized Cast Iron	148.00
-P	Trap Primer Connection (1/2"*)	N/C
⌚ -TC	Neo-Loc Test Cap Gasket (2", 3", 4" NL Bottom Outlet Only)	17.00
-TSP	Trap Seal Protection Device (Size Matches Drain Outlet Selected, Not Available in 4", See Z1072)	POA
-U	2"-3-1/4" High Extension Adapter D.C.	104.00
-VP	Vandal-Proof Secured Top	42.00
-Y	Sediment Bucket	81.00

*Regularly furnished unless otherwise specified.

⌚ This symbol denotes a product that is engineered to reduce installation and rework time.

For Additional Product Information, Please Visit www.zurn.com

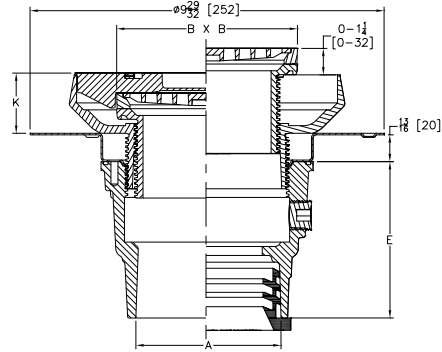
Z415-SZ1-DP BODY ASSEMBLY W/ "TYPE S" STRAINER, DECK PLATE AND EZ1™ TECHNOLOGY



Patent Pending

ENGINEERING SPECIFICATION

Zurn Z415-SZ1-DP floor and shower drain features Dura-Coated cast iron body with bottom outlet, stainless steel deck plate, and top assembly. EZ1 drainage series is engineered to simplify product installation, comprised of concrete shield to provide up to 1-1/4" [32] of vertical post pour adjustment, pre-packaged shims for tilt correction, and integrated, self-contained "Type S" light duty strainer with rough-in cover for protection during concrete pour.



Strainer Designation	Dimensions in inches				Strainer Open Area Sq. In [cm ²]	Approximate Weight lb [kg]
	A Pipe Size	BxB Strainer Top Size	K			
			Min.	Max.		
-5S	2-3-4 [51-76-102]	5 X 5 [127 X127]	1-23/32 [44]	1-31/32 [50]	9 [58]	17 [8]

PREFIXES	DESCRIPTION	STRAINER DESIG.	PIPE SIZE	LIST PRICE
ZN415-5SZ1-DP*	D.C.C.I. Body Assembly with Polished Nickel Bronze Top	-5S	2", 3", 4"	580.00
ZB415-5SZ1-DP	D.C.C.I. Body Assembly with Polished Bronze Top	-5S	2", 3", 4"	576.00
ZS415-5SZ1-DP	D.C.C.I. Body Assembly with Stainless Steel Top	-5S	2", 3", 4"	1,000.00

OUTLETS (SPECIFY PIPE SIZE IN INCHES AND TYPE OF OUTLET)				
OUTLET TYPE		PIPE SIZE/ OUTLET TYPE	E BODY HT. DIM.	ADD
NH	No-Hub	2NH, 3NH	4-3/4"	N/C
		4NH	4-3/8"	N/C
NL	Neo-Loc	2NL	5-1/4"	N/C
		3NL, 4NL	4-3/8"	N/C

SUFFIXES		ADD
-AR	Acid Resisting Epoxy Coated Cast Iron	127.00
Ⓢ -CC	Stainless Steel Clamp Collar	125.00
-EF	3/4" Extension Frame	-
-G	Galvanized Cast Iron	148.00
-P	Trap Primer Connection (1/2"*)	N/C
Ⓢ -TC	Neo-Loc Test Cap Gasket (2", 3", 4" NL Bottom Outlet Only)	17.00
-TSP	Trap Seal Protection Device (Size Matches Drain Outlet Selected, Not Available in 4", See Z1072)	POA
-U	2"-3-1/4" High Extension Adapter D.C.	104.00
-VP	Vandal-Proof Secured Top	42.00
-Y	Sediment Bucket	81.00

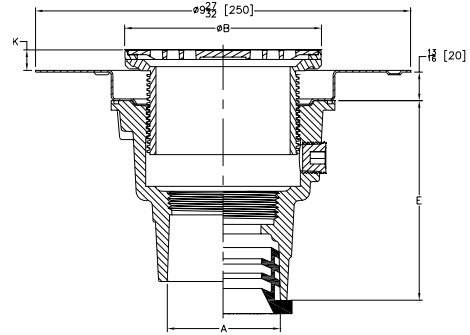
Z415B-DP BODY ASSEMBLY W/ "TYPE B" STRAINER AND DECK PLATE



Patent Pending

ENGINEERING SPECIFICATION

Zurn Z415B-DP floor and shower drain features Dura-Coated cast iron body with bottom outlet, stainless steel deck plate, and "Type B" polished nickel bronze light duty top assembly.



Strainer Designation	Dimensions in inches				Strainer Open Area Sq. In [cm ²]	Approximate Weight lb [kg]
	A Pipe Size	B Strainer Diameter	K			
			Min.	Max.		
-5B	2-3-4 [51-76-102]	5 [127]	0	1-7/16 [37]	6-1/4 [40]	11 [5]

PREFIXES	DESCRIPTION	STRAINER DESIG.	PIPE SIZE	LIST PRICE
ZN415-B-DP*	D.C.C.I. Body Assembly with Polished Nickel Bronze Top	-5B	2", 3", 4"	477.00
ZB415-B-DP	D.C.C.I. Body Assembly with Polished Bronze Top	-5B	2", 3", 4"	459.00
ZS415-B-DP	D.C.C.I. Body Assembly with Stainless Steel Top	-5B	2", 3", 4"	879.00

OUTLETS (SPECIFY PIPE SIZE IN INCHES AND TYPE OF OUTLET)				
OUTLET TYPE		PIPE SIZE/ OUTLET TYPE	E BODY HT. DIM.	ADD
NH	No-Hub	2NH	4-7/8"	N/C
		3NH	4-3/4"	N/C
		4NH	4"	N/C
NL	Neo-Loc	2NL	5-1/4"	N/C
		3NL	4-3/8"	N/C
		4NL	4-3/8"	N/C

SUFFIXES		ADD
-AR	Acid Resisting Epoxy Coated Cast Iron	127.00
-CC	Stainless Steel Clamp Collar	125.00
⌚ -EF	3/4" Extension Frame	223.00
-FI	Floor Insert	41.00
-G	Galvanized Cast Iron	148.00
-P	Trap Primer Connection (1/2"*)	N/C
⌚ -TC	Neo-Loc Test Cap Gasket (2", 3", 4" NL Bottom Outlet Only)	17.00
-U	2"-3-1/4" High Extension Adapter D.C.	104.00
-VP	Vandal-Proof Secured Top	42.00
-Y	Sediment Bucket	81.00

*Regularly furnished unless otherwise specified.

⌚ This symbol denotes a product that is engineered to reduce installation and rework time.

Z415S-DP BODY ASSEMBLY W/ "TYPE S" STRAINER AND DECK PLATE

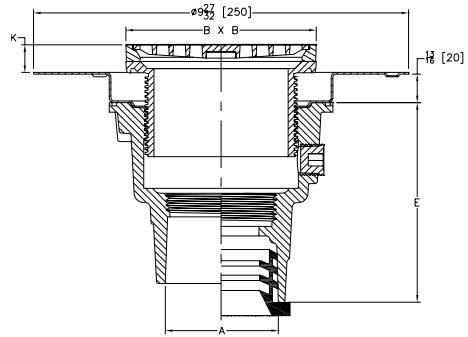


ENGINEERING SPECIFICATION

Zurn Z415S-DP floor and shower drain, Dura-Coated cast iron body with bottom outlet, stainless steel deck plate, and "Type S" polished nickel bronze light duty top assembly.

Patent Pending

Round image shown.



Strainer Designation	Dimensions in inches				Strainer Open Area Sq. In [cm ²]	Approximate Weight lb [kg]
	A Pipe Size	BxB Strainer Top Size	K			
			Min.	Max.		
-5S	2-3-4 [51-76-102]	5 X 5 [127 X 127]	7/16 [11]	1-7/16 [37]	9 [58]	12 [5]

PREFIXES	DESCRIPTION	STRAINER DESIG.	PIPE SIZE	LIST PRICE
ZN415-S-DP*	D.C.C.I. Body Assembly with Polished Nickel Bronze Top	-5S	2", 3", 4"	580.00
ZB415-S-DP	D.C.C.I. Body Assembly with Polished Bronze Top	-5S	2", 3", 4"	576.00
ZS415-S-DP	D.C.C.I. Body Assembly with Stainless Steel Top	-5S	2", 3", 4"	1,000.00

OUTLETS (SPECIFY PIPE SIZE IN INCHES AND TYPE OF OUTLET)				
OUTLET TYPE		PIPE SIZE/ OUTLET TYPE	E BODY HT. DIM.	ADD
NH	No-Hub	2NH	4-7/8"	N/C
		3NH	4-3/4"	N/C
		4NH	4"	N/C
NL	Neo-Loc	2NL	5-1/4"	N/C
		3NL	4-3/8"	N/C
		4NL	4-3/8"	N/C

SUFFIXES		ADD
-AR	Acid Resisting Epoxy Coated Cast Iron	127.00
-CC	Stainless Steel Clamp Collar	125.00
Ⓢ -EF	3/4" Extension Frame	223.00
-G	Galvanized Cast Iron	148.00
-P	Trap Primer Connection (1/2"*)	N/C
Ⓢ -TC	Neo-Loc Test Cap Gasket (2", 3", 4" NL Bottom Outlet Only)	17.00
-U	2"-3-1/4" High Extension Adapter	D.C. 104.00
-VP	Vandal-Proof Secured Top	42.00
-Y	Sediment Bucket	81.00

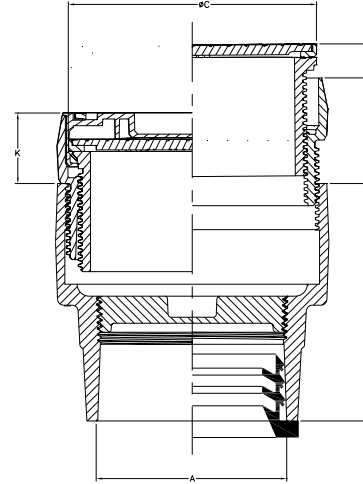
Z1400-BZ1 FLOOR CLEANOUT WITH "TYPE B" COVER AND EZ1™ TECHNOLOGY



PATENT PENDING

ENGINEERING SPECIFICATION

Zurn Z1400-BZ1 cleanout features Dura-Coated cast iron body with bottom outlet, gas and water tight threaded ABS tapered plug, and top assembly. EZ1 drainage series is engineered to simplify product installation. Rough-in adapter provides up to 1-1/4" [32] of vertical post pour adjustment, pre-packaged shims for tilt correction, and integrated, self-contained Type B light duty scoriated cover with rough-in cover for protection during concrete pour. Cleanout is designed in accordance with ASME A112.36.2M.



Cover Designation	Dimensions in inches						Approximate Weight lb [kg]
	A Pipe Size	C	D		K		
			Min.	Max.	Min.	Max.	
-5B	2 [51]	5-5/32 [131]	0	1-1/4 [32]	1-13/32 [36]	2-17/32 [65]	10 [5]
	3-4 [76-102]	5-5/32 [131]	0	1-1/4 [32]	1-13/32 [36]	2-17/32 [65]	12 [5]
-6B	2 [51]	6-8/32 [156]	0	1-7/32 [31]	1-3/8 [35]	2-9/16 [65]	11 [5]
	3-4 [76-102]	6-8/32 [156]	0	1-7/32 [31]	1-3/8 [35]	2-9/16 [65]	13 [6]
-8B	6 [152]	7-7/8 [200]	0	1-1/4 [32]	1-9/16 [40]	2-11/16 [68]	19 [9]

PREFIXES	DESCRIPTION	PIPE SIZE	LIST PRICE
ZN1400-BZ1*	D.C.C.I. with Polished Nickel Bronze Top	2", 3", 4"	663.00
		6"	1036.00
ZB1400-BZ1	D.C.C.I. with Polished Bronze Top	2", 3", 4"	617.00
		6"	1079.00
ZS1400-BZ1	D.C.C.I. with Polished Type 304 (CF8) Stainless Steel Top	2", 3", 4"	1254.00
		6"	1623.00

OUTLET (SPECIFY PIPE SIZE IN INCHES AND TYPE OF OUTLET)				
TYPE	DESCRIPTION	PIPE SIZE/OUTLET TYPE	E BODY HT. DIM.	ADD
NH	No-Hub	2NH, 3NH	4-3/4"	N/C
		4NH	5"	N/C
		6NH	5-1/2"	N/C
NL	Neo-Loc	2NL, 4NL	4-3/4"	N/C
		3NL	5-7/16"	N/C
		6NL	5-1/2"	N/C

SUFFIXES		ADD
-AR	Acid Resisting Epoxy Coated Finish	263.00
-BP	Bronze Plug	2", 3", 4" 145.00
-G	Galvanized Cast Iron	166.00
-TC	Neo-Loc Test Cap Gasket (2", 3", 4" NL Bottom Outlet Only)	17.00
-VP	Vandal-Proof Screws	53.00

*Regularly furnished unless otherwise specified.

⌚ This symbol denotes a product that is engineered to reduce installation and rework time.

For Additional Product Information, Please Visit www.zurn.com

Z1400-SZ1 BODY ASSEMBLY W/ "TYPE S" COVER AND EZ1™ TECHNOLOGY

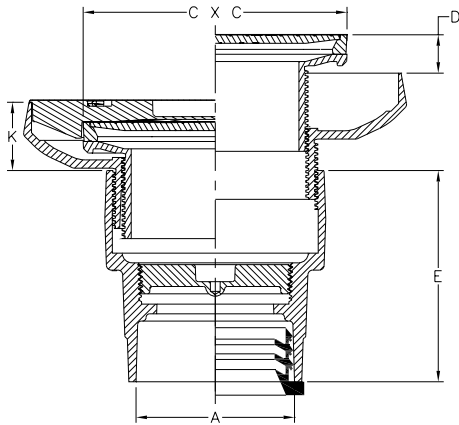


PATENT PENDING

ENGINEERING SPECIFICATION

Zurn Z1400-B51 cleanout features Dura-Coated cast iron body, bottom outlet, gas and water tight threaded ABS tapered plug, and top assembly. EZ1™ drainage series is engineered to simplify product installation. Concrete shield provides up to 1-1/4" [32] of vertical post pour adjustment, pre-packaged shims for tilt correction, and integrated, self-contained Type S light duty scoriated cover with rough-in cover for protection during concrete pour. Cleanout is designed in accordance with ASME A112.36.2M.

Cover Designation	Dimensions in inches						Approximate Weight lb [kg]
	A Pipe Size	Cx C	D		K		
			Min.	Max.	Min.	Max.	
-5S	2 [51]	5 X 5 [127 X 127]	0	1-1/4 [32]	1-21/32 [42]	2-25/32 [71]	12 [5]
	3-4 [76-102]	5 X 5 [127 X 127]	0	1-1/4 [32]	1-21/32 [42]	2-25/32 [71]	14 [6]
-6S	2 [51]	6 X 6 [152 X 152]	0	1-1/8 [29]	1-23/32 [44]	2-13/16 [71]	13 [6]
	3-4 [76-102]	6 X 6 [152 X 152]	0	1-1/8 [29]	1-23/32 [44]	2-13/16 [71]	15 [7]



PREFIXES	DESCRIPTION	PIPE SIZE	LIST PRICE
ZN1400-SZ1*	D.C.C.I. with Polished Nickel Bronze Top	2", 3"	496.00
		4"	663.00
ZB1400-SZ1	D.C.C.I. with Polished Bronze Top	2", 3"	454.00
		4"	617.00
ZS1400-SZ1	D.C.C.I. with Polished Type 304 (CF8) Stainless Steel Top	2", 3"	1254.00
		4"	1254.00

OUTLET (SPECIFY PIPE SIZE IN INCHES AND TYPE OF OUTLET)				
TYPE	DESCRIPTION	PIPE SIZE/ OUTLET TYPE	E BODY HT. DIM.	ADD
NH	No-Hub	2NH, 3NH	4-3/4"	N/C
		4NH	5"	N/C
NL	Neo-Loc	2NL, 4NL	4-3/4"	N/C
		3NL	5-7/16"	N/C

SUFFIXES			ADD
-AR	Acid Resisting Epoxy Coated Finish		263.00
-BP	Bronze Plug	2", 3", 4"	145.00
-G	Galvanized Cast Iron		166.00
-TC	Neo-Loc Test Cap Gasket (2", 3", 4" NL Bottom Outlet Only)		17.00
-VP	Vandal-Proof Screws		53.00

Z1400-BZ1-DP BODY ASSEMBLY W/ "TYPE B" COVER, DECK PLATE AND EZ1™ TECHNOLOGY

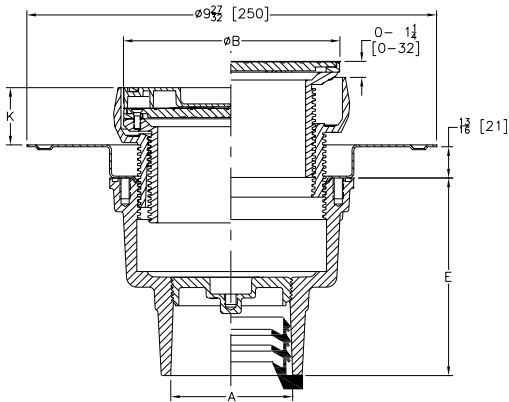


PATENT PENDING

ENGINEERING SPECIFICATION

Zurn Z1400-BZ1-DP cleanout features Dura-Coated cast iron body, gas and water tight cleanout plug, stainless steel deck plate, and top assembly. EZ1 drainage series is engineered to simplify product installation. Concrete shield provides up to 1-1/4" [32] of vertical post pour adjustment, pre-packaged shims for tilt correction, and integrated, self contained Type B light duty scoriated cover with rough-in cover for protection during concrete pour. Cleanout is designed in accordance with ASME A112.36.2M.

Cover Designation	Dimensions in inches				Approximate Weight lb [kg]
	A Pipe Size	B	K		
			Min.	Max.	
-5B	2-3 [51-76]	5 [127]	5/8 [16]	1-21/32 [42]	16 [7]



PREFIXES	DESCRIPTION	PIPE SIZE	LIST PRICE
ZN1400-BZ1-DP*	D.C.C.I. with Polished Nickel Bronze Top	2", 3"	803.00
ZB1400-BZ1-DP	D.C.C.I. with Polished Bronze Top	2", 3"	849.00
ZS1400-BZ1-DP	D.C.C.I. with Polished Type 304 (CF8) Stainless Steel Top	2", 3"	1394.00

OUTLET (SPECIFY PIPE SIZE IN INCHES AND TYPE OF OUTLET)				
TYPE	DESCRIPTION	PIPE SIZE/ OUTLET TYPE	E BODY HT. DIM.	ADD
NH	No-Hub	2NH, 3NH	4-3/4"	N/C
NL	Neo-Loc	2NL	5-1/4"	N/C
		3NL	4-3/8"	N/C

SUFFIXES	DESCRIPTION	ADD
-AR	Acid Resisting Epoxy Coated Finish	263.00
-BP	Bronze Plug	2", 3" 145.00
-CC	Stainless Steel Clamp Collar	125.00
-G	Galvanized Cast Iron	166.00
-TC	Neo-Loc Test Cap Gasket (2", 3" NL Bottom Outlet Only)	17.00
-VP	Vandal-Proof Screws	53.00

*Regularly furnished unless otherwise specified.

⌚ This symbol denotes a product that is engineered to reduce installation and rework time.

For Additional Product Information, Please Visit www.zurn.com

Z1400-SZ1-DP BODY ASSEMBLY W/ "TYPE S" COVER, DECK PLATE AND EZ1™ TECHNOLOGY

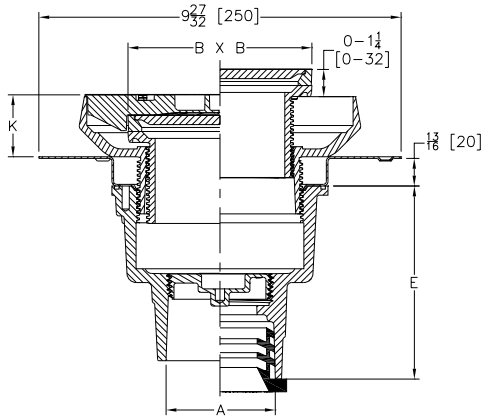


PATENT PENDING

ENGINEERING SPECIFICATION

Zurn Z1400-SZ1-DP cleanout features Dura-Coated cast iron body, gas and water tight cleanout plug, stainless steel deck plate, and top assembly. EZ1 drainage series is engineered to simplify product installation. Concrete shield provides up to 1-1/4" [32] of vertical post pour adjustment, pre-packaged shims for tilt correction, and integrated, self contained Type S light duty scoriated cover with rough-in cover for protection during concrete pour. Cleanout is designed in accordance with ASME A112.36.2M.

Cover Designation	Dimensions in inches				Approximate Weight lb [kg]
	A Pipe Size	BxB	K		
			Min.	Max.	
-5S	2-3 [51-76]	5 X 5 [127 X 127]	1-23/32 [44]	1-31/32 [50]	17 [8]



PREFIXES	DESCRIPTION	PIPE SIZE	LIST PRICE	
ZN1400-SZ1-DP*	D.C.C.I. with Polished Nickel Bronze Top	2", 3"	803.00	
ZB1400-SZ1-DP	D.C.C.I. with Polished Bronze Top	2", 3"	849.00	
ZS1400-SZ1-DP	D.C.C.I. with Polished Type 304 (CF8) Stainless Steel Top	2", 3"	1394.00	
OUTLET (SPECIFY PIPE SIZE IN INCHES AND TYPE OF OUTLET)				
TYPE	DESCRIPTION	PIPE SIZE/ OUTLET TYPE	E BODY HT. DIM.	ADD
NH	No-Hub	2NH, 3NH	4-3/4"	N/C
NL	Neo-Loc	2NL	5-1/4"	N/C
		3NL	4-3/8"	N/C
SUFFIXES				ADD
-AR	Acid Resisting Epoxy Coated Finish			263.00
-BP	Bronze Plug	2", 3"		145.00
-CC	Stainless Steel Clamp Collar			125.00
-G	Galvanized Cast Iron			166.00
-TC	Neo-Loc Test Cap Gasket (2", 3" NL Bottom Outlet Only)			17.00
-VP	Vandal-Proof Screws			53.00

Z1400B-DP BODY ASSEMBLY W/ "TYPE B" COVER AND DECK PLATE

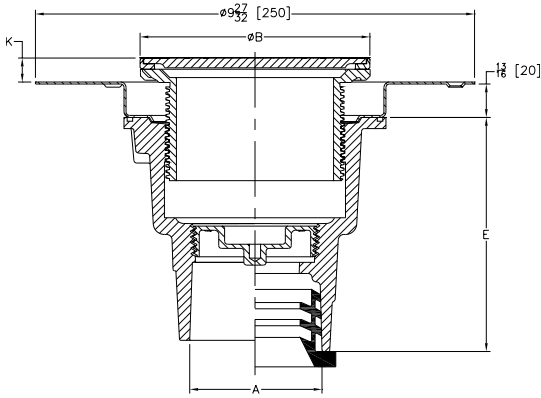


PATENT PENDING

ENGINEERING SPECIFICATION

Zurn Z1400B-DP cleanout features Dura-Coated cast iron body, gas and water tight cleanout plug, stainless steel deck plate, and Type B polished nickel bronze light duty top assembly. Cleanout is designed in accordance with ASME A112.36.2M.

Cover Designation	Dimensions in inches				Approx. Wt. Lbs. [kg]
	A Pipe Size	B	K		
			Min.	Max.	
-5B	2-3 [51-79]	5 [127]	0	1-7/16 [37]	11 [5]



PREFIXES	DESCRIPTION	PIPE SIZE	LIST PRICE
ZN1400-B-DP*	D.C.C.I. with Polished Nickel Bronze Top	2", 3"	849.00
ZB1400-B-DP	D.C.C.I. with Polished Bronze Top	2", 3"	803.00
ZS1400-B-DP	D.C.C.I. with Polished Type 304 (CF8) Stainless Steel Top	2", 3"	1394.00

OUTLET (SPECIFY PIPE SIZE IN INCHES AND TYPE OF OUTLET)				
TYPE	DESCRIPTION	PIPE SIZE/ OUTLET TYPE	E BODY HT. DIM.	ADD
NH	No-Hub	2NH	4-7/8"	N/C
		3NH	4-3/4"	N/C
NL	Neo-Loc	2NL	5-1/4"	N/C
		3NL	4-3/8"	N/C

SUFFIXES	DESCRIPTION	ADD
-AR	Acid Resisting Epoxy Coated Finish	263.00
-BP	Bronze Plug	145.00
-CC	Stainless Steel Clamp Collar	125.00
-FI	Floor Insert	42.00
-G	Galvanized Cast Iron	166.00
-TC	Neo-Loc Test Cap Gasket (2", 3" NL Bottom Outlet Only)	17.00
-VP	Vandal-Proof Screws	53.00

*Regularly furnished unless otherwise specified.

⌚ This symbol denotes a product that is engineered to reduce installation and rework time.

For Additional Product Information, Please Visit www.zurn.com

Z1400S-DP BODY ASSEMBLY W/ "TYPE S" COVER AND DECK PLATE



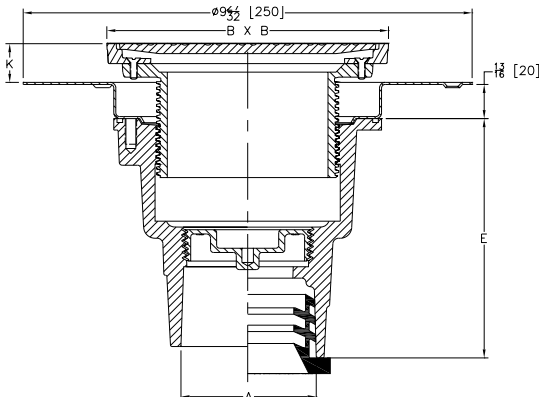
PATENT PENDING

Round image shown.

ENGINEERING SPECIFICATION

Zurn Z1400S-DP cleanout features Dura-Coated cast iron body, gas and water tight cleanout plug, stainless steel deck plate, and Type S polished nickel bronze light duty top assembly. Cleanout is designed in accordance with ASME A112.36.2M.

Cover Designation	Dimensions in inches				Approximate Weight lb [kg]
	A Pipe Size	BxB	K		
			Min.	Max.	
-5S	2-3 [51-79]	5 X 5 [127 X 127]	7/16 [111]	1-7/16 [37]	12 [5]



PREFIXES	DESCRIPTION	PIPE SIZE	LIST PRICE
ZN1400-S-DP*	D.C.C.I. with Polished Nickel Bronze Top	2", 3"	849.00
ZB1400-S-DP	D.C.C.I. with Polished Bronze Top	2", 3"	803.00
ZS1400-S-DP	D.C.C.I. with Polished Type 304 (CF8) Stainless Steel Top	2", 3"	1394.00

OUTLET (SPECIFY PIPE SIZE IN INCHES AND TYPE OF OUTLET)				
TYPE	DESCRIPTION	PIPE SIZE/ OUTLET TYPE	E BODY HT. DIM.	ADD
NH	No-Hub	2NH	4-7/8"	N/C
		3NH	4-3/4"	N/C
NL	Neo-Loc	2NL	5-1/4"	N/C
		3NL	4-3/8"	N/C

SUFFIXES	DESCRIPTION	ADD
-AR	Acid Resisting Epoxy Coated Finish	263.00
-BP	Bronze Plug	2", 3" 145.00
-CC	Stainless Steel Clamp Collar	125.00
-G	Galvanized Cast Iron	166.00
-TC	Neo-Loc Test Cap Gasket (2", 3" NL Bottom Outlet Only)	17.00
-VP	Vandal-Proof Screws	53.00

Zurn Industries, LLC Specification Drainage Operation
1801 Pittsburgh Avenue
Erie, PA 16502, 855-663-9876

In Canada

Zurn Industries Limited
7900 Goreway Drive, Unit 10
Brampton, ON L6T 5W6, 905-405-8272

ZURN.COM [US 1.855.0NE.ZURN](tel:18550NEZURN) [CANADA 1.905.405.8272](tel:19054058272)

