



Z899 Stainless Steel Threshold Drain System

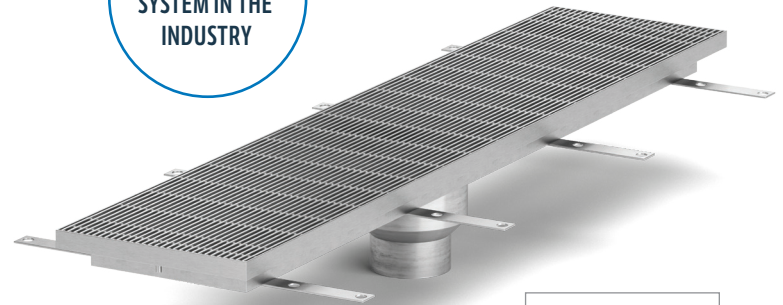
Water, debris (and the competition) are left behind.

From selection to smarter solutions, find your first choice for your next project at Zurn.

Our design experts will help you narrow down what you're looking for to meet compliance, building aesthetics, and performance expectations. There's no cutting corners or compromising in style. You'll install a system that withstands it all – foot traffic, heavy loads, flow rate – and still look great years after.



ONLY PATENTED
SYSTEM IN THE
INDUSTRY



US Patent No. D787028

Compliance

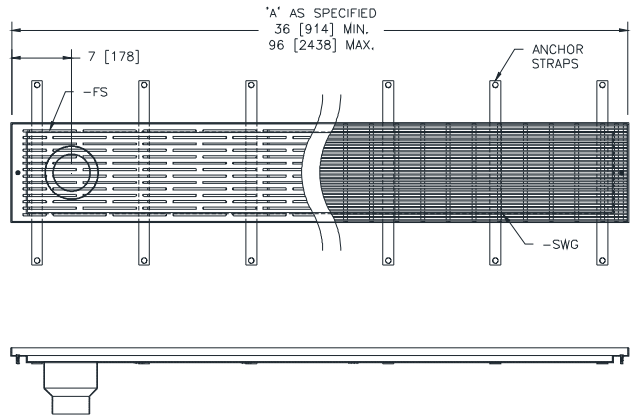
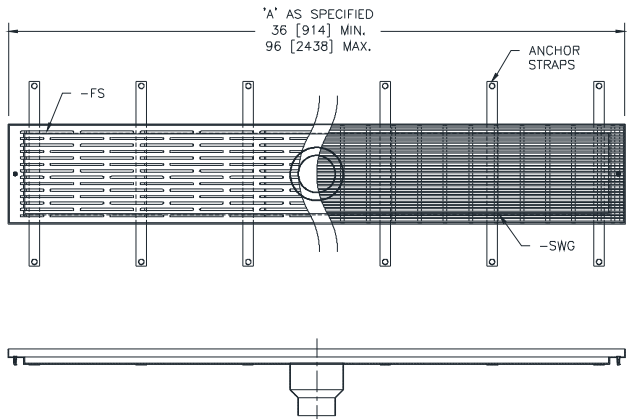
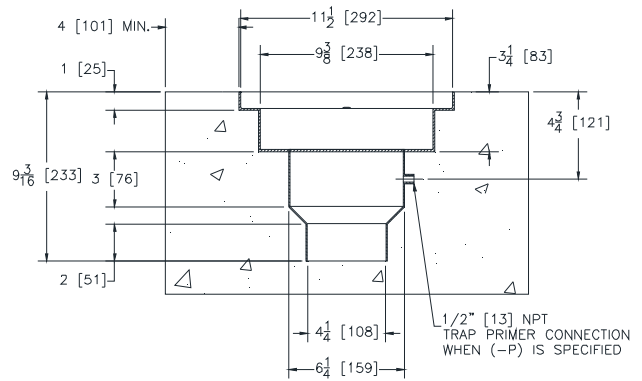
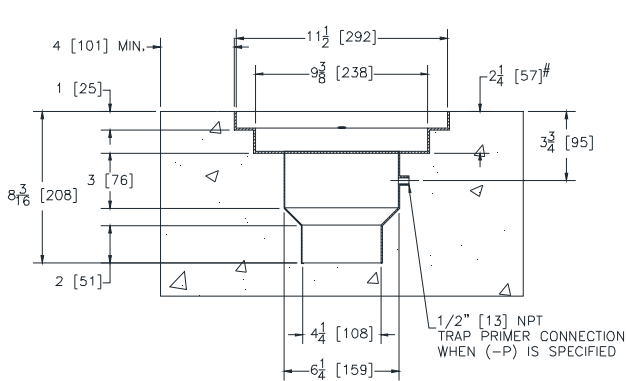
- Complete system meets 2013 California Building Code 403.6.1, 403.6.2, 3007.4, 3008.4
- Additionally complies with 2013 San Francisco Fire Code, Section 511.1.4 for use in front of elevators
- Grating follows ADA compliance for heel safety and wheelchair accessibility
- Adaptive design is positioned to meet emerging code adoption

Building Aesthetics

- Narrow profile and flat connection create seamless integration between indoor and outdoor spaces
- Available in lengths from 36" to 96" with bottom center or end outlet configurations
- Easy-to-remove grating allows for low-maintenance cleaning
- Design expertise available to discuss style options and specification requirements

Performance Expectations

- Stainless surface withstands wear and tear while the black Dura-Coat interior improves appearance and maximizes flow
- Patented system delivers superior flow rates, while providing an aesthetically attractive entrance
- Enough depth for proper drainage, yet shallow enough for easy installation



Z899 Threshold Trench Drain System with Center Outlet Engineering Specification

Overall channel width is 11-1/2" [292mm] and includes 9-3/8" [238mm] throat. Fabricated stainless steel channel meets ASTM A-240 (type 304) and features anchoring straps. The outlet on each channel is centered. Custom SWG stainless steel wire grate conforms to ASTM A-240 (type 304) and locks down to the channel with vandal-proof flathead machine screws.

This grate is rated for Class A per the DIN EN1433 top load classification, complies with both ADA and Heel-Proof requirements, and has an open area of 64.9 sq. in/ft. [1373.7 sq. cm/m]. Optional FS fabricated slotted grate has an open area of 35.91 sq. in/ft [760.1 sq. cm/m] and also complies with ADA and heel-proof requirements. System design complies with SFFC Code, Section 511.1 for a 100 gpm flow rate. (Replaces Z895-94)

NOTE: Minimum dimensional requirements must be met to satisfy 100 gpm flow rate specification.

Z899-EO Threshold Trench Drain System with End Outlet Engineering Specification

Overall channel width is 11-1/2" [292 mm] and includes 9-3/8" [238 mm] throat. Fabricated stainless steel channels meet ASTM A-240 (type 304) and feature anchoring straps. The outlet on each channel is located 6" [152 mm] from the end. Channels include custom -SWG stainless steel wire grate, per ASTM A-240 (type 304), that locks down to the channel with vandal-proof flathead machine screws.

This grate is rated for Class A per the DIN EN1433 top load classification, complies with both ADA and heel-proof requirements, and has an open area of 64.9 sq. in/ft. [1373.7 sq. cm/m]. Optional -FS fabricated slotted grate has an open area of 35.91 sq. in/ft [760.1 sq. cm/m] and also complies with ADA and heel-proof requirements. System design complies with SFFC Code, Section 511.1 for a 100 gpm flow rate. (Replaces Z895-94)

NOTE: Minimum Dimensional requirements must be met to satisfy 100 GPM flow rate specification.

US Patent No. D787028

ZURN INDUSTRIES, LLC Linear Drainage Operation
1801 Pittsburgh Avenue, Erie, PA 16502, 855-663-9876

In Canada: ZURN INDUSTRIES LIMITED 7900 Goreway Drive, Unit 10, Brampton, Ontario L6T 5W6, 905-405-8272

Form No. 220-119, 12/17



US 1.855.ONE.ZURN CANADA 1.905.405.8272 ZURN.COM