

Stainless Steel Drains

SSD0724 Customer Guide



ZURN.COM US 1.855.ONE.ZURN CANADA 1.877.892.5216

Effective July 1, 2024
Replaces All Previous Price Lists

INTRODUCTION

TABLE OF CONTENTS – BY SECTION	2
ZURN STAINLESS STEEL DRAINS FOR FOOD AND BEVERAGE	3

TABLE OF CONTENTS – BY SECTION

PRODUCT HIGHLIGHT

ZURN STAINLESS STEEL DRAINS FOR FOOD AND BEVERAGE	3
------------------------------------------------------	----------

STAINLESS STEEL DRAINS

Z1800-12B 12" DIAMETER ROUND INDUSTRIAL FLOOR DRAIN	6
Z1800-12S 12" X 12" SQUARE INDUSTRIAL FLOOR DRAIN	6
Z1805-12B 12" DIAMETER INDUSTRIAL STANDARD SANITARY FLOOR DRAIN	7
Z1805-12S 12" X 12" SQUARE INDUSTRIAL STANDARD SANITARY FLOOR DRAIN	7
Z1830-12B 12" DIAMETER INDUSTRIAL FLOOR DRAIN	8
Z1830-12S 12" X 12" SQUARE INDUSTRIAL FLOOR DRAIN	8
Z1832 6" DIAMETER ROUND DRAIN	9
Z1833 8" DIAMETER ROUND DRAIN	9
Z1840-6B 6" DIAMETER INDUSTRIAL FLOOR CLEANOUT	10
Z1840-6S 6" X 6" INDUSTRIAL FLOOR CLEANOUT	10

Z1840-8B 8" DIAMETER INDUSTRIAL FLOOR CLEANOUT	11
Z1840-8S 8" X 8" INDUSTRIAL FLOOR CLEANOUT	11
Z1849 12" X 12" SANI-FLO® RECEPTOR 4" SUMP DEPTH	12
Z1850 12" X 12" SANI-FLO® RECEPTOR 6" SUMP DEPTH	13
Z1851 12" X 12" SANI-FLO® RECEPTOR 8" SUMP DEPTH	13
Z1852 12" X 12" SANI-FLO® RECEPTOR 10" SUMP DEPTH	14
Z1870 HUB DRAIN	15
Z1890 P-TRAP	16
ZS890 6" WIDE SANI-FLO® TRENCH DRAIN SYSTEM	17
Z891 STAINLESS STEEL SLOTTED DRAINAGE SYSTEM	18
Z893 STAINLESS STEEL FLOOR RECEPTOR WITH BAR GRATE	19
Z894 24" WIDE TRENCH DRAIN SYSTEM	20
ZS895 12" WIDE SANI-FLO® TRENCH DRAIN SYSTEM	21
Z898 18" WIDE TRENCH DRAIN SYSTEM	22
Z897 STAINLESS STEEL CATCH BASIN	23

TECHNICAL INFORMATION

TECHNICAL INFO – STAINLESS STEEL DRAINS BUTT-WELD ENGINEERING DATA	26
TECHNICAL INFO – OUTLET PIPE CONNECTIONS	27
TECHNICAL INFO – TOP LOADING CLASSIFICATION	28
TECHNICAL INFO – EZ STOP LOCK	29
TECHNICAL INFO – BUTTERFLY LOCKING VALVE	29
GENERAL TERMS AND CONDITIONS	30



ZURN STAINLESS STEEL DRAINS FOR FOOD AND BEVERAGE

Easy Specification and Installation in Harsh Environments for More Than 100 Years

Standard Product, Custom Designed Systems and Superior Manufacturing

Your customers deserve a quality drain system that lasts. Zurn delivers reliable drainage solutions for long-lasting performance.

Go for Appearance and Performance

Our comprehensive product portfolio coupled with our custom design and fabrication capabilities allow you to design a drainage system that meets the performance requirements and the aesthetic vision your customer demands.

Specify Your System

Whether you are designing a new food processing facility, renovating an existing space, or retrofitting a current drainage system, Zurn is your single-source provider and trusted partner.



Scan or [click here](#) to see our complete portfolio of stainless steel drains



Industry Leader of Standardized Product

- Sanitary, stainless steel design for easy maintenance to help avoid corrosion and audit inspection failure
- Versatility in configuration, flow rates, load ratings, strainers, grates and more

Custom Designed Systems and Fabrication

The expert team at our Dallas, Texas, facility is ready to meet the needs of your unique drainage system. Custom systems are available in lengths up to 50' continuous runs.

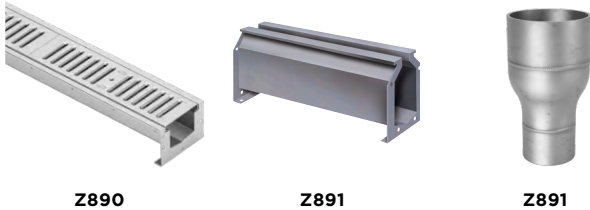
World-class Manufacturing

- Laser cut for precision and efficiency
- Robotic welding for consistency and performance
- Metal spinning to reduce bacteria-harboring angles, welds and crevices
- Bead blast finish for a smoother, more uniform look

Zurn Stainless Steel Drains for Food and Beverage

Z890 6" Wide Pre-sloped Trench Drainage System, Z891 Slot Drain and Z1870 Hub Drain

- Low-cost monitoring
- Aesthetic grate options available
- Contain, reroute and evacuate liquids to keep production area safe
- Modular trench systems designed for easy installation, load-bearing strength, high-flow capacity, chemical resistance and structural integrity



Z890

Z891

Z1870

Z1800 Industrial Floor Drain and Cleanout

- Seamless fabrication thoughtfully designed so that no water or sediment can deposit or accumulate
- Various sizes and grate configurations
- Angled body for sanitation
- No interior welds



Z1800-12B

Z1800-12S

Z1752 Sani-Flor Receptor, Z1830 Deep Sump Sanitary Floor Drain and Z1805 Industrial Standard Sanitary Floor Drain

- Industrial sanitary floor drain with deep body, and heavy-duty slotted grate
- Anchor tabs that help stabilize during the pre-pour



Z1752

Z1830

Z1805

Z1840 Industrial Sanitary Cleanout



Z1840-6B

Z1840-6S

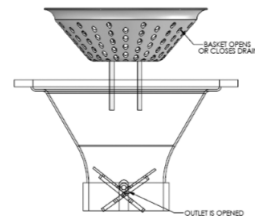
Z1899 Industrial Double Containment Drain



Z1899

Accessories

DESCRIPTION
Trap Primer
Butterfly Check Valve
EZ Stop Lock



Butterfly Check Valve



EZ Stop Lock

High-powered Locking Magnet

STAINLESS STEEL DRAINS

Z1800-12B 12" DIAMETER ROUND INDUSTRIAL FLOOR DRAIN	6
Z1800-12S 12" X 12" SQUARE INDUSTRIAL FLOOR DRAIN	6
Z1805-12B 12" DIAMETER INDUSTRIAL STANDARD SANITARY FLOOR DRAIN	7
Z1805-12S 12" X 12" SQUARE INDUSTRIAL STANDARD SANITARY FLOOR DRAIN	7
Z1830-12B 12" DIAMETER INDUSTRIAL FLOOR DRAIN	8
Z1830-12S 12" X 12" SQUARE INDUSTRIAL FLOOR DRAIN	8
Z1832 6" DIAMETER ROUND DRAIN	9
Z1833 8" DIAMETER ROUND DRAIN	9
Z1840-6B 6" DIAMETER INDUSTRIAL FLOOR CLEANOUT	10
Z1840-6S 6" X 6" INDUSTRIAL FLOOR CLEANOUT	10
Z1840-8B 8" DIAMETER INDUSTRIAL FLOOR CLEANOUT	11
Z1840-8S 8" X 8" INDUSTRIAL FLOOR CLEANOUT	11
Z1849 12" X 12" SANI-FLO® RECEPTOR 4" SUMP DEPTH	12
Z1850 12" X 12" SANI-FLO® RECEPTOR 6" SUMP DEPTH	13
Z1851 12" X 12" SANI-FLO® RECEPTOR 8" SUMP DEPTH	13
Z1852 12" X 12" SANI-FLO® RECEPTOR 10" SUMP DEPTH	14
Z1870 HUB DRAIN	15
Z1890 P-TRAP	16
ZS890 6" WIDE SANI-FLO® TRENCH DRAIN SYSTEM	17
Z891 STAINLESS STEEL SLOTTED DRAINAGE SYSTEM	18
Z893 STAINLESS STEEL FLOOR RECEPTOR WITH BAR GRATE	19
Z894 24" WIDE TRENCH DRAIN SYSTEM	20
ZS895 12" WIDE SANI-FLO® TRENCH DRAIN SYSTEM	21
Z898 18" WIDE TRENCH DRAIN SYSTEM	22
Z897 STAINLESS STEEL CATCH BASIN	23

Z1800-12B 12" DIAMETER ROUND INDUSTRIAL FLOOR DRAIN

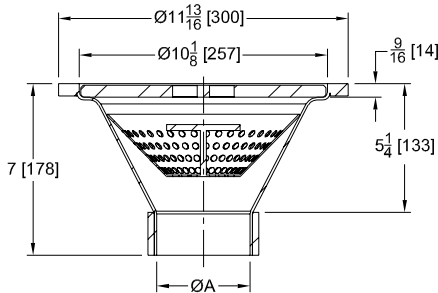
[SDcSN-R42120] **NEW**



ENGINEERING SPECIFICATION

12 [305] Diameter x 5-1/4 [133] Deep, 12 gauge, type 304 stainless steel, round industrial sanitary floor drain features loose set heavy-duty slotted grate (1/2 [13] thick plate) with finger holes, 9/16 [14] top frame, perforated removable sediment bucket with lift handle, pre-pour stabilizing anchor tabs, and bead blasted finish. Approximate weight 18 lbs [8 kg].

A Pipe Size inches [mm]	Approximate Weight lb [kg]	Grate Open Area sq in [cm ²]
Butt-Weld / No-Hub / Threaded		
2 [51], 3 [76], 4 [102], 6 [152]	18 [8]	19.2 [124]



Three anchor tabs spaced 120 degrees apart not represented in cross section view.

PREFIXES	DESCRIPTION	A PIPE SIZE	LIST PRICE
Z1800-12B*	Type 304 (CF8) Stainless Steel*	2", 3", 4"	1,550.00
		6"	1,610.00
ZM1800-12B	Type 316 (CF8M) Stainless Steel	2", 3", 4"	1,860.00
		6"	1,932.00
OUTLETS (SPECIFY PIPE SIZE IN INCHES AND TYPE OF OUTLET)			
OUTLET TYPE		PIPE SIZE/OUTLET TYPE	ADD
BW	Butt-Weld (Schedule 40)	2BW, 3BW, 4BW, 6BW	N/C
IP	Threaded	2IP, 3IP, 4IP, 6IP	474.00
NH	No-Hub (Schedule 10)	2NH, 3NH, 4NH, 6NH	N/C
GRATE OPTIONS			
			ADD
-2	1/2 Grate		N/C
-3	3/4 Grate		N/C
-H3	Heavy Duty Perimeter Gap - 1/2" Plate		268.00
-H5	Heavy Duty Slotted Grate - 1/2" Plate with Finger Holes		268.00
SUFFIXES			
			ADD
-BF	Butterfly Lock Sediment Basket (Only available in 4" Outlet)		731.00
-K	Anchor Flange		263.00
-KC	Anchor Flange with Seepage Holes and Clamp Collar		945.00
-MG	EZLock Magnetic Lock System		350.00
-P	1/2" Trap Primer Connection		89.00
-VP	Vandal Proof Secured Top		286.00

Z1800-12S 12" X 12" SQUARE INDUSTRIAL FLOOR DRAIN

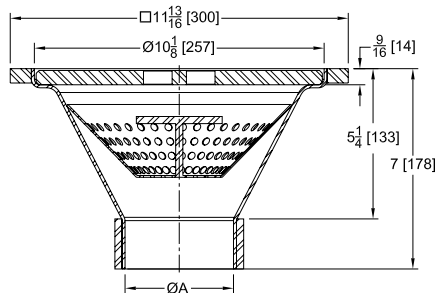
[SDcSN-Q42120] **NEW**



ENGINEERING SPECIFICATION

12 x 12 x 7 [305 x 305 x 178] Deep, 12 gauge, type 304 stainless steel, square industrial sanitary floor drain features loose set heavy-duty slotted grate (1/2 [13] thick plate) with finger holes, 9/16 [14] top frame, perforated removable sediment bucket with lift handle, pre-pour stabilizing anchor tabs, and bead blasted finish. Approximate weight 18 lbs [8 kg].

A Pipe Size inches [mm]	Approximate Weight lb [kg]	Grate Open Area sq in [cm ²]
Butt-Weld / No-Hub / Threaded		
2 [51], 3 [76], 4 [102], 6 [152]	18 [8]	19.2 [124]



Three anchor tabs spaced 120 degrees apart not represented in cross section view.

PREFIXES	DESCRIPTION	A PIPE SIZE	LIST PRICE
Z1800-12S*	Type 304 (CF8) Stainless Steel*	2", 3", 4"	1,550.00
		6"	1,610.00
ZM1800-12S	Type 316 (CF8M) Stainless Steel	2", 3", 4"	1,860.00
		6"	1,932.00
OUTLETS (SPECIFY PIPE SIZE IN INCHES AND TYPE OF OUTLET)			
OUTLET TYPE		PIPE SIZE/OUTLET TYPE	ADD
BW	Butt-Weld (Schedule 40)	2BW, 3BW, 4BW, 6BW	N/C
IP	Threaded	2IP, 3IP, 4IP, 6IP	474.00
NH	No-Hub (Schedule 10)	2NH, 3NH, 4NH, 6NH	N/C
GRATE OPTIONS			
			ADD
-2	1/2 Grate		N/C
-3	3/4 Grate		N/C
-H3	Heavy Duty Perimeter Gap - 1/2" Plate		268.00
-H5	Heavy Duty Slotted Grate - 1/2" Plate with Finger Holes		268.00
SUFFIXES			
			ADD
-BF	Butterfly Lock Sediment Basket (Only available in 4" Outlet)		731.00
-K	Anchor Flange		263.00
-KC	Anchor Flange with Seepage Holes and Clamp Collar		945.00
-MG	EZLock Magnetic Lock System		350.00
-P	1/2" Trap Primer Connection		89.00
-VP	Vandal Proof Secured Top		286.00

Z1805-12B 12" DIAMETER INDUSTRIAL STANDARD SANITARY FLOOR DRAIN

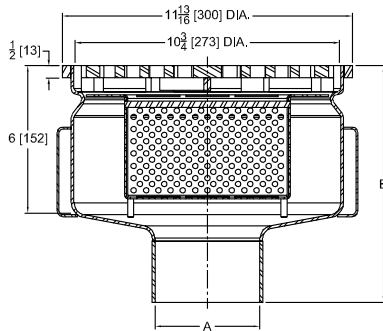
NEW



ENGINEERING SPECIFICATION

12 [305] Diameter x 6 [152] Deep, 12 gauge, type 304 stainless steel industrial sanitary drain featuring 100% spun drain body construction, sloped bottom design and minimum continuous welds. Provided with perforated removable sediment bucket with lift handle, extra heavy-duty slotted grate, pre-pour stabilizing anchor tabs, and smooth bead blasted finish. Drain meets US FDA standards for corrosion resistance.

A Pipe Size inches [mm]	Approximate Weight lb [kg]	Grate Open Area sq in [cm ²]
Butt-Weld / No-Hub / Threaded		
3 [76], 4 [102], 6 [152]		



PREFIXES	DESCRIPTION	A PIPE SIZE	LIST PRICE
Z1805-12B*	Type 304 (CF8) Stainless Steel	3", 4"	2,200.00
		6"	2,260.00
ZM1805-12B*	Type 316 (CF8M) Stainless Steel	3", 4"	2,640.00
		6"	2,712.00

OUTLETS (SPECIFY PIPE SIZE IN INCHES AND TYPE OF OUTLET)			
OUTLET TYPE	PIPE SIZE/OUTLET TYPE	ADD	
BW	Butt-Weld (Schedule 40)	3BW, 4BW, 6BW	N/C
NH	No-Hub (Schedule 10)	3NH, 4NH, 6NH	N/C
IP	Threaded	3IP, 4IP, 6IP	474.00

GRATE OPTIONS		
		ADD
-H3	Special Duty Perimeter Gap Grate (1[25] Grate Seat)	N/C
-H5*	Extra Heavy Duty Slotted Grate - 1/2 [13] Plate with Finger Holes*	N/C
-H9	Medium Duty Perforated Grate	268.00

SUFFIXES		
		ADD
-K	Anchor Flange	263.00
-KC	Anchor Flange with Seepage Holes and Clamp Collar	945.00
-MG	EZ Lock Magnetic System With Secured Secondary Strainer	350.00
-P	3/4 [19] Trap Primer Connection	89.00
-VP	Vandal Proof Secured Top	286.00

Z1805-12S 12" X 12" SQUARE INDUSTRIAL STANDARD SANITARY FLOOR DRAIN

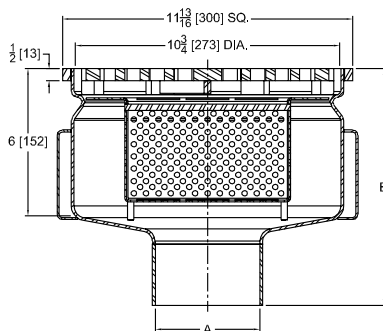
NEW



ENGINEERING SPECIFICATION

12 [305] Square x 6 [152] Deep, 12 gauge, type 304 stainless steel industrial sanitary drain featuring 100% spun drain body construction, sloped bottom design and minimum continuous welds. Provided with perforated removable sediment bucket with lift handle, extra heavy-duty slotted grate, pre-pour stabilizing anchor tabs, and smooth bead blasted finish. Drain meets US FDA standards for corrosion resistance.

A Pipe Size inches [mm]	Approximate Weight lb [kg]	Grate Open Area sq in [cm ²]
Butt-Weld / No-Hub / Threaded		
3 [76], 4 [102], 6 [152]		



PREFIXES	DESCRIPTION	A PIPE SIZE	LIST PRICE
Z1805-12S*	Type 304 (CF8) Stainless Steel	3", 4"	2,200.00
		6"	2,260.00
ZM1805-12S*	Type 316 (CF8M) Stainless Steel	3", 4"	2,640.00
		6"	2,712.00

OUTLETS (SPECIFY PIPE SIZE IN INCHES AND TYPE OF OUTLET)			
OUTLET TYPE	PIPE SIZE/OUTLET TYPE	ADD	
BW	Butt-Weld (Schedule 40)	3BW, 4BW, 6BW	N/C
NH	No-Hub (Schedule 10)	3NH, 4NH, 6NH	N/C
IP	Threaded	3IP, 4IP, 6IP	474.00

GRATE OPTIONS		
		ADD
-H3	Special Duty Perimeter Gap Grate.(1-1/16 [27] Grate Seat)	N/C
-H5*	Extra Heavy Duty Slotted Grate - 1/2 [13] Plate with Finger Holes*	N/C
-H9	Medium Duty Perforated Grate	N/C

SUFFIXES		
		ADD
-K	Anchor Flange	263.00
-KC	Anchor Flange with Seepage Holes and Clamp Collar	945.00
-MG	EZ Lock Magnetic System With Secured Secondary Strainer	350.00
-P	3/4 [19] Trap Primer Connection	89.00
-VP	Vandal Proof Secured Top	286.00

*Regularly furnished unless otherwise specified.

⌚ This symbol denotes a product that is engineered to reduce installation and rework time.

For additional product information, please visit www.zurn.com
Patent zurn.com/patents

Z1830-12B 12" DIAMETER INDUSTRIAL FLOOR DRAIN

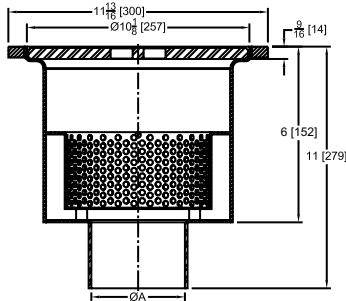
[SDcDS-R42120] **NEW**



ENGINEERING SPECIFICATION

12 [305] Diameter X 6 [152], 12 gauge, type 304 stainless steel, round industrial sanitary floor drain features loose set heavy-duty slotted grate (1/2 [13] thick plate) with finger holes, 9/16 [14] top frame, perforated removable sediment bucket with lift handle, pre-pour stabilizing anchor tabs, and bead blasted finish. Approximate weight 25 lbs [11 kg].

A Pipe Size inches [mm]	Approximate Weight lb [kg]	Grate Open Area sq in [cm ²]
Butt-Weld / No-Hub / Threaded		
2 [51], 3 [76], 4 [102], 6 [152]	25 [11]	15 [97]



Three anchor tabs spaced 120 degrees apart not represented in cross section view.

PREFIXES	DESCRIPTION	A PIPE SIZE	LIST PRICE
Z1830-12B*	Type 304 (CF8) Stainless Steel*	2", 3", 4"	1,790.00
		6"	1,900.00
ZM1830-12B	Type 316 (CF8M) Stainless Steel	2", 3", 4"	2,148.00
		6"	2,280.00
OUTLETS (SPECIFY PIPE SIZE IN INCHES AND TYPE OF OUTLET)			
OUTLET TYPE		PIPE SIZE/OUTLET TYPE	ADD
BW	Butt-Weld (Schedule 40)	2BW, 3BW, 4BW, 6BW	N/C
IP	Threaded	2IP, 3IP, 4IP, 6IP	474.00
NH	No-Hub (Schedule 10)	2NH, 3NH, 4NH, 6NH	N/C
GRATE OPTIONS			
			ADD
-H3	Heavy-Duty Perimeter Gap -1/2 [13] Plate (1-1/16 [27] Grate Seat)		268.00
-H5	Heavy-Duty Slotted Grate - 1/2 [13] Plate with Finger Holes*		268.00
-2	1/2 Grate		N/C
-3	3/4 Grate		N/C
SUFFIXES			
			ADD
-B	Bell Trap		269.00
-BF	Butterfly Lock Sediment Basket (Only available in 4" Outlet)		731.00
-K	Anchor Flange		263.00
-KC	Anchor Flange with Seepage Holes and Clamp Collar		945.00
-MG	EZLock Magnetic Lock System		350.00
-P	1/2" Trap Primer Connection		89.00

Z1830-12S 12" X 12" SQUARE INDUSTRIAL FLOOR DRAIN

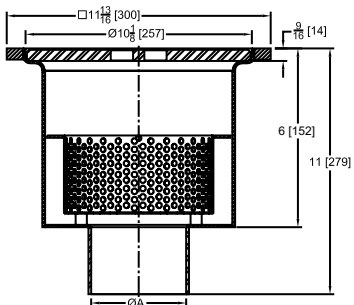
[SDcDS-Q42120] **NEW**



ENGINEERING SPECIFICATION

12 x 12 x 6 [305 x 305 x 152], 12 gauge, type 304 stainless steel, square industrial sanitary floor drain features loose set heavy-duty slotted grate (1/2 [13] thick plate) with finger holes, 9/16 [14] top frame, perforated removable sediment bucket with lift handle, pre-pour stabilizing anchor tabs, and bead blasted finish. Approximate weight 30 lbs [14 kg].

A Pipe Size inches [mm]	Approximate Weight lb [kg]	Grate Open Area sq in [cm ²]
Butt-Weld / No-Hub / Threaded		
2 [51], 3 [76], 4 [102], 6 [152]	30 [14]	19.2 [124]



Three anchor tabs spaced 120 degrees apart not represented in cross section view.

PREFIXES	DESCRIPTION	A PIPE SIZE	LIST PRICE
Z1830-12S*	Type 304 (CF8) Stainless Steel*	2", 3", 4"	1,790.00
		6"	1,900.00
ZM1830-12S	Type 316 (CF8M) Stainless Steel	2", 3", 4"	2,148.00
		6"	2,280.00
OUTLETS (SPECIFY PIPE SIZE IN INCHES AND TYPE OF OUTLET)			
OUTLET TYPE		PIPE SIZE/OUTLET TYPE	ADD
BW	Butt-Weld (Schedule 40)	2BW, 3BW, 4BW, 6BW	N/C
IP	Threaded	2IP, 3IP, 4IP, 6IP	474.00
NH	No-Hub (Schedule 10)	2BW, 3NH, 4NH, 6NH	N/C
GRATE OPTIONS			
			ADD
-H3	Heavy-Duty Perimeter Gap -1/2 [13] Plate (1-1/16 [27] Grate Seat)		268.00
-H5	Heavy-Duty Slotted Grate - 1/2 [13] Plate with Finger Holes*		268.00
-2	1/2 Grate		N/C
-3	3/4 Grate		N/C
SUFFIXES			
			ADD
-B	Bell Trap		269.00
-BF	Butterfly Lock Sediment Basket (Only available in 4" Outlet)		731.00
-K	Anchor Flange		263.00
-KC	Anchor Flange with Seepage Holes and Clamp Collar		945.00
-MG	EZLock Magnetic Lock System		350.00
-P	1/2" Trap Primer Connection		89.00

Z1832 6" DIAMETER ROUND DRAIN

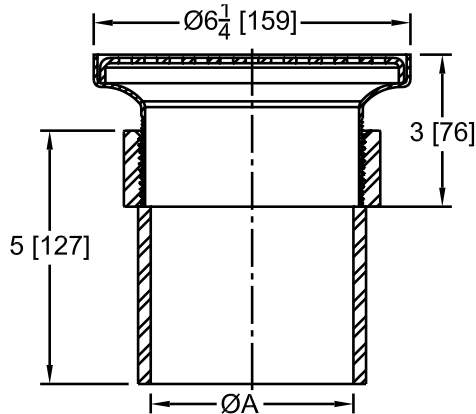
[SDcAD-R42060] **NEW**



ENGINEERING SPECIFICATION

Zurn Z1832 6-1/4" [159] Diameter 3" Deep, 12 gauge, type 304 stainless steel, round drain features light duty perforated grates, and bead blasted finish. Replaces 1786.

Dimensions in inches [mm]	Approximate Weight lb [kg]
A	
No-Hub (NH)	
2NH, 3NH, 4NH	6 [3]



Note: Shown with -A Adjustable Threaded Outlet.

PREFIXES	DESCRIPTION	A PIPE SIZE	LIST PRICE
Z1832*	Type 304 (CF8) Stainless Steel	3", 4"	540.00
ZM1832	Type 316 (CF8M) Stainless Steel	3", 4"	648.00
OUTLETS (SPECIFY PIPE SIZE IN INCHES AND TYPE OF OUTLET)			
OUTLET TYPE		PIPE SIZE/ OUTLET TYPE	ADD
NH	No-Hub (Schedule 10)	3NH, 4NH	N/C
GRATE OPTIONS			
			ADD
-H3	Heavy Duty Perimeter Gap - 1/2" Plate		268.00
-H5	Heavy Duty Slotted Grate - 1/2" Plate with Finger Holes		268.00
SUFFIXES			
			ADD
Ⓢ -A	Adjustable Threaded Outlet		523.00
-K	Anchor Flange		202.00
-KC	Anchor Flange with Seepage Holes and Clamp Collar		263.00
-P	1/2" Trap Primer Connection		89.00

Z1833 8" DIAMETER ROUND DRAIN

[SSDcAD-R42080] **NEW**

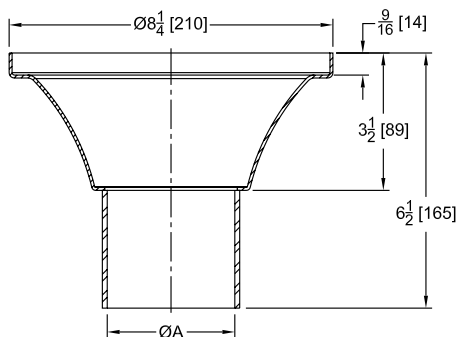


Shown with optional -H5 grate. Perforated grate is standard.

ENGINEERING SPECIFICATION

Zurn Z1833 8-1/4" [210] Diameter 3-1/2" [89] Deep, 12 gauge, type 304 stainless steel, round drain features light duty perforated grates, and bead blasted finish. Drain manufactured without any inside seams or welds to eliminate hidden areas for bacteria growth. Replaces Z1788.

Dimensions in inches [mm]	Approximate Weight lb [kg]
A	
No-Hub (NH)	
2NH, 3NH, 4NH	6 [3]
Butt-Weld (BW)	
2BW, 3BW, 4BW	6 [3]



PREFIXES	DESCRIPTION	A PIPE SIZE	LIST PRICE
Z1833*	Type 304 (CF8) Stainless Steel	2", 3", 4", 6"	800.00
ZM1833	Type 316 (CF8M) Stainless Steel	2", 3", 4", 6"	960.00
OUTLETS (SPECIFY PIPE SIZE IN INCHES AND TYPE OF OUTLET)			
OUTLET TYPE		PIPE SIZE/ OUTLET TYPE	ADD
NH	No-Hub (Schedule 10)	2NH, 3NH, 4NH, 6NH	N/C
BW	Butt-Weld (Schedule 40)	2BW, 3BW, 4BW, 6BW	N/C
GRATE OPTIONS			
			ADD
-2	1/2 Grate		N/C
-3	3/4 Grate		N/C
-H3	Heavy Duty Perimeter Gap - 1/2" Plate		268.00
-H5	Heavy Duty Slotted Grate - 1/2" Plate with Finger Holes		268.00
SUFFIXES			
			ADD
Ⓢ -A	Adjustable Threaded Outlet		523.00
-BF	Butterfly Lock Sediment Basket (4" SCH 40 Outlet Only)		369.00
-K	Anchor Flange		202.00
-KC	Anchor Flange with Seepage Holes and Clamp Collar		263.00
-P	1/2" Trap Primer Connection		89.00
-VP	Vandal Proof Secured Top		286.00
-YS	Sediment Basket		350.00

*Regularly furnished unless otherwise specified.

Ⓢ This symbol denotes a product that is engineered to reduce installation and rework time.

For additional product information, please visit www.zurn.com
Patent zurn.com/patents

Z1840-6B 6" DIAMETER INDUSTRIAL FLOOR CLEANOUT

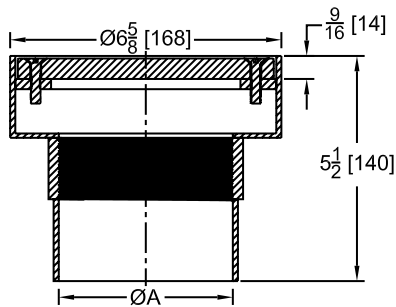
[SDcCL-R42060] **NEW**



ENGINEERING SPECIFICATION

6-5/8" [168] Diameter, 12 gauge, type 304 stainless steel, round industrial sanitary cleanout features heavy duty grate (1/2" Thick Plate), PVC plug, and bead blasted finish.

Dimensions in inches [mm]				Approximate Weight lb [kg]
A Pipe Size	B N.P.T.	E Body Height Dimensions	Top Size	
Butt-Weld / No-Hub				
2 [51]	2-1/2"	5-1/2 [141]	6-5/8 [168]	10 [5]
3 [76]	2-1/2"	5-1/2 [141]	6-5/8 [168]	
4 [102]	3-1/2"	5-1/2 [141]	6-5/8 [168]	



PREFIXES	DESCRIPTION	A PIPE SIZE	LIST PRICE
Z1840-6B*	Type 304 (CF8) Stainless Steel*	2", 3", 4"	1,000.00
ZM1840-6B	Type 316 (CF8M) Stainless Steel	2", 3", 4"	1,200.00
OUTLETS (SPECIFY PIPE SIZE IN INCHES AND TYPE OF OUTLET)			
OUTLET TYPE	PIPE SIZE/OUTLET TYPE	'E' BODY HT. DIM.	ADD
BW	Butt-Weld (Schedule 40)	2BW	5-1/2" N/C
		3BW	5-1/2" N/C
		4BW	5-1/2" N/C
NH	No-Hub (Schedule 10)	2NH	5-1/2" N/C
		3NH	5-1/2" N/C
		4NH	5-1/2" N/C
SUFFIXES			ADD
⊖ -A	Adjustable Threaded Outlet		523.00

Z1840-6S 6" X 6" INDUSTRIAL FLOOR CLEANOUT

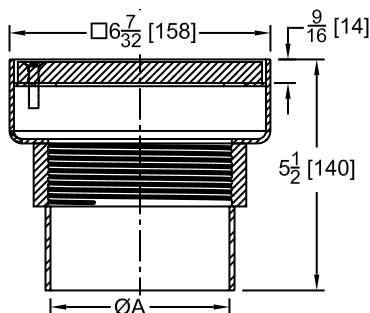
[SDcCL-Q42060] **NEW**



ENGINEERING SPECIFICATION

6" Square, 12 gauge, type 304 stainless steel, square industrial sanitary cleanout features heavy duty grate (1/2" Thick Plate), PVC plug, and bead blasted finish.

Dimensions in inches [mm]				Approximate Weight lb [kg]
A Pipe Size	B N.P.T.	E Body Height Dimensions	Top Size	
Butt-Weld / No-Hub				
2 [51]	2-1/2"	5-1/2 [141]	6-7/32 [158]	10 [5]
3 [76]	2-1/2"	5-1/2 [141]	6-7/32 [158]	
4 [102]	3-1/2"	5-1/2 [141]	6-7/32 [158]	



PREFIXES	DESCRIPTION	A PIPE SIZE	LIST PRICE
Z1840-6S*	Type 304 (CF8) Stainless Steel*	2", 3", 4"	1,000.00
ZM1840-6S	Type 316 (CF8M) Stainless Steel	2", 3", 4"	1,200.00
OUTLETS (SPECIFY PIPE SIZE IN INCHES AND TYPE OF OUTLET)			
OUTLET TYPE	PIPE SIZE/OUTLET TYPE	'E' BODY HT. DIM.	ADD
BW	Butt-Weld (Schedule 40)	2BW	5-1/2" N/C
		3BW	5-1/2" N/C
		4BW	5-1/2" N/C
NH	No-Hub (Schedule 10)	2NH	5-1/2" N/C
		3NH	5-1/2" N/C
		4NH	5-1/2" N/C
SUFFIXES			ADD
⊖ -A	Adjustable Threaded Outlet		523.00

Z1840-8B 8" DIAMETER INDUSTRIAL FLOOR CLEANOUT

[SDcCL-R42080]

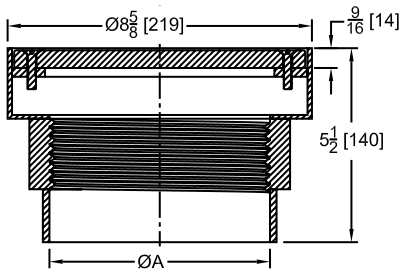
NEW



ENGINEERING SPECIFICATION

8-5/8" Diameter, 12 gauge, type 304 stainless steel, round industrial sanitary cleanout features heavy duty grate (1/2" Thick Plate), PVC plug, and bead blasted finish.

Dimensions in inches [mm]			Approximate Weight lb [kg]
A Pipe Size	B N.P.T.	Top Size	
Butt-Weld / No-Hub			
2 [51]	2-1/2"	8-5/8 [219]	20 [9]
3 [76]	2-1/2"	8-5/8 [219]	20 [9]
4 [102]	3-1/2"	8-5/8 [219]	20 [9]
6 [152]	5-1/2"	8-5/8 [219]	20 [9]



PREFIXES	DESCRIPTION	A PIPE SIZE	LIST PRICE
Z1840-8B*	Type 304 (CF8) Stainless Steel*	2", 3", 4", 6"	1,170.00
ZM1840-8B	Type 316 (CF8M) Stainless Steel	2", 3", 4", 6"	1,404.00
OUTLETS (SPECIFY PIPE SIZE IN INCHES AND TYPE OF OUTLET)			
OUTLET TYPE	PIPE SIZE/OUTLET TYPE		ADD
BW	Butt-Weld (Schedule 40)	2BW, 3BW, 4BW, 6BW	N/C
NH	No-Hub (Schedule 10)	2NH, 3NH, 4NH, 6NH	N/C
SUFFIXES			ADD
⌚ -A	Adjustable Threaded Outlet		523.00

Z1840-8S 8" X 8" INDUSTRIAL FLOOR CLEANOUT

[SDcCL-Q42080]

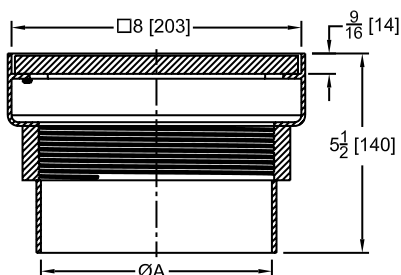
NEW



ENGINEERING SPECIFICATION

8 [203] Square, 12 gauge, type 304 stainless steel, square industrial sanitary cleanout features heavy duty grate (1/2" Thick Plate), PVC plug, and bead blasted finish.

Dimensions in inches [mm]			Approximate Weight lb [kg]
A Pipe Size	B N.P.T.	Top Size	
Butt-Weld / No-Hub			
2 [51]	5-1/2"	8 [203]	18 [8]
3 [76]	5-1/2"	8 [203]	18 [8]
4 [102]	5-1/2"	8 [203]	18 [8]
6 [152]	5-1/2"	8 [203]	18 [8]



PREFIXES	DESCRIPTION	A PIPE SIZE	LIST PRICE
Z1840-8S*	Type 304 (CF8) Stainless Steel*	2", 3", 4", 6"	1,170.00
ZM1840-8S	Type 316 (CF8M) Stainless Steel	2", 3", 4", 6"	1,404.00
OUTLETS (SPECIFY PIPE SIZE IN INCHES AND TYPE OF OUTLET)			
OUTLET TYPE	PIPE SIZE/OUTLET TYPE		ADD
BW	Butt-Weld	2BW, 3BW, 4BW, 6BW	N/C
NH	No-Hub	2NH, 3NH, 4NH, 6NH	N/C
SUFFIXES			ADD
⌚ -A	Adjustable Threaded Outlet		523.00

*Regularly furnished unless otherwise specified.

⌚ This symbol denotes a product that is engineered to reduce installation and rework time.

For additional product information, please visit www.zurn.com
Patent zurn.com/patents

Z1849 12" X 12" SANI-FLOR RECEPTOR 4" SUMP DEPTH

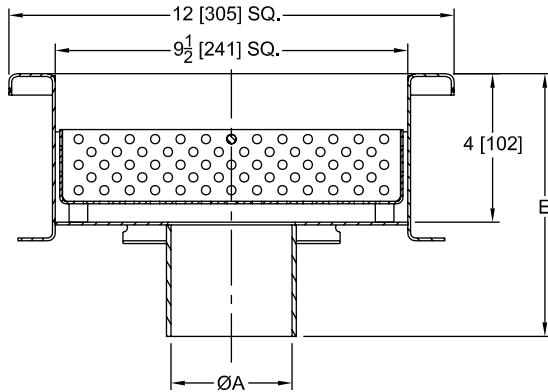
NEW



ENGINEERING SPECIFICATION

12" X 12" X 4" [305 x 305 x 102] Deep, 14 gauge, type 304 stainless steel, loose set 12 gauge type 304 light duty perforated grate and 16 ga type 304 perforated stainless steel sediment basket with lift handle. Drain meets U.S. FDA standards for corrosion resistance.

Dimensions in inches [mm]	Approximate Weight lb [kg]
A	
No-Hub (NH)	
2NH, 3NH, 4NH, 6NH	10 [5]
Butt-Weld (BW)	
2BW, 3BW, 4BW, 6BW	10 [5]



PREFIXES	DESCRIPTION	A PIPE SIZE	LIST PRICE
Z1849*	Type 304 (CF8) Stainless Steel	2", 3", 4"	2,020.00
		6"	2,080.00
ZM1849	Type 316 (CF8M) Stainless Steel	2", 3", 4"	2,424.00
		6"	2,496.00

OUTLETS (SPECIFY PIPE SIZE IN INCHES AND TYPE OF OUTLET)			
OUTLET TYPE	PIPE SIZE/OUTLET TYPE	ADD	
NH	No-Hub (Schedule 10)	2NH, 3NH, 4NH, 6NH	N/C
BW	Butt-Weld (Schedule 40)	2BW, 3BW, 4BW, 6BW	N/C

GRATE OPTIONS			ADD
-2	Heavy Duty Slotted Grate - 1/2" Plate		N/C
-3	Heavy Duty Perimeter Gap Grate - 1/2" Plate		N/C
-HD	Heavy Duty Slotted Grate with Gasket Seal		1,159.00

SUFFIXES			ADD
Ⓢ	-A	Adjustable Threaded Outlet	523.00
	-BF	Butterfly Lock Sediment Basket (4" SCH 40 Outlet Only)	731.00
	-K	Anchor Flange	348.00
	-KC	Anchor Flange with Seepage Holes and Clamp Collar	690.00
	-MG	EZLock Magnetic Lock System	350.00
	-P	Trap Primer Connection	167.00
	-VP	Vandal Proof	407.00

INTRO

SS DRAINS

TECH INFO

Z1850 12" X 12" SANI-FLOR RECEPTOR 6" SUMP DEPTH

[SDcFS-Q44120]

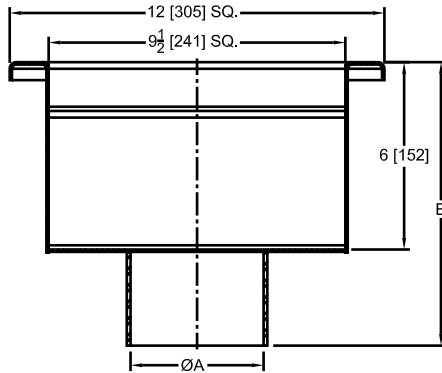
NEW



ENGINEERING SPECIFICATION

Zurn Z1850 12" x 12" x 6" [305 x 305 x 152] Deep, 14 gauge, type 304 stainless steel, loose set 12 gauge light duty perforated grate, stainless steel sediment basket. Replaces Z1750-SDC.

Dimensions in inches [mm]		Approximate Weight lb [kg]
A		
No-Hub (NH)		
2NH, 3NH, 4NH, 6NH		10 [5]
Butt-Weld (BW)		
2BW, 3BW, 4BW, 6BW		10 [5]



PREFIXES	DESCRIPTION	A PIPE SIZE	LIST PRICE
Z1850*	Type 304 (CF8) Stainless Steel	2", 3", 4"	2,140.00
		6"	2,200.00
ZM1850	Type 316 (CF8M) Stainless Steel	2", 3", 4"	2,568.00
		6"	2,640.00

OUTLETS (SPECIFY PIPE SIZE IN INCHES AND TYPE OF OUTLET)			
OUTLET TYPE	PIPE SIZE/OUTLET TYPE	ADD	
NH	No-Hub (Schedule 10)	2NH, 3NH, 4NH, 6NH	N/C
BW	Butt-Weld (Schedule 40)	2BW, 3BW, 4BW, 6BW	N/C

GRATE OPTIONS		
		ADD
-2	1/2 Grate	N/C
-3	3/4 Grate	N/C
-HD	Heavy Duty Slotted Grate	1,159.00

SUFFIXES		
		ADD
Ⓢ -A	Adjustable Threaded Outlet	523.00
-BF	Butterfly Lock Sediment Basket (4" SCH 40 Outlet Only)	731.00
-K	Anchor Flange	348.00
-KC	Anchor Flange with Seepage Holes and Clamp Collar	690.00
-MG	EZLock Magnetic Lock System	350.00
-P	1/2" Trap Primer Connection	167.00
-VP	Vandal Proof Secured Top	407.00

Z1851 12" X 12" SANI-FLOR RECEPTOR 8" SUMP DEPTH

[SDcFS-Q44120]

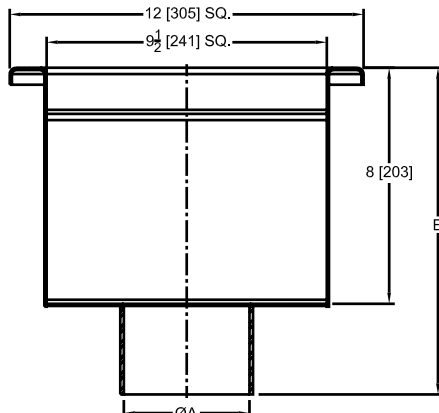
NEW



ENGINEERING SPECIFICATION

Zurn Z1851 12" x 12" x 8" [305 x 305 x 203] Deep, 14 gauge, type 304 stainless steel, loose set 12 gauge light duty perforated grate, stainless steel sediment basket. Replaces Z1751-SDC.

Dimensions in inches [mm]		Approximate Weight lb [kg]
A		
No-Hub (NH)		
2NH, 3NH, 4NH, 6NH		11 [5]
Butt-Weld (BW)		
2BW, 3BW, 4BW, 6BW		11 [5]



PREFIXES	DESCRIPTION	A PIPE SIZE	LIST PRICE
Z1851*	Type 304 (CF8) Stainless Steel	2", 3", 4"	2,260.00
		6"	2,320.00
ZM1851	Type 316 (CF8M) Stainless Steel	2", 3", 4"	2,712.00
		6"	2,784.00

OUTLETS (SPECIFY PIPE SIZE IN INCHES AND TYPE OF OUTLET)			
OUTLET TYPE	PIPE SIZE/OUTLET TYPE	ADD	
NH	No-Hub (Schedule 10)	2NH, 3NH, 4NH, 6NH	N/C
BW	Butt-Weld (Schedule 40)	2BW, 3BW, 4BW, 6BW	N/C

GRATE OPTIONS		
		ADD
-2	1/2 Grate	N/C
-3	3/4 Grate	N/C
-HD	Heavy Duty Slotted Grate	1,159.00

SUFFIXES		
		ADD
Ⓢ -A	Adjustable Threaded Outlet	523.00
-BF	Butterfly Lock Sediment Basket (4" SCH 40 Outlet Only)	731.00
-K	Anchor Flange	348.00
-KC	Anchor Flange with Seepage Holes and Clamp Collar	690.00
-MG	EZLock Magnetic Lock System	350.00
-P	1/2" Trap Primer Connection	167.00
-VP	Vandal Proof Secured Top	407.00

For additional product information, please visit www.zurn.com
Patent zurn.com/patents

Z1852 12" X 12" SANI-FLOR RECEPTOR 10" SUMP DEPTH

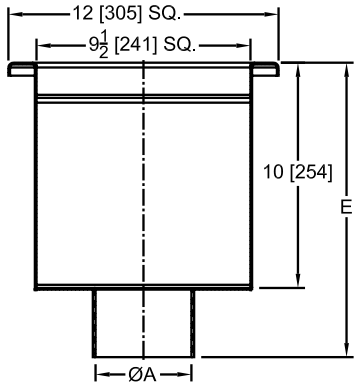
[SDcFS-Q44120] **NEW**



ENGINEERING SPECIFICATION

Zurn Z1852 12" x 12" x 10" [305 x 305 x 254] Deep, 14 gauge, type 304 stainless steel, loose set 12 gauge light duty perforated grate, stainless steel sediment basket. Replaces Z1752-SDC.

Dimensions in inches [mm]		Approximate Weight lb [kg]
A		
No-Hub (NH)		
2NH, 3NH, 4NH, 6NH		13 [6]
Butt-Weld (BW)		
2BW, 3BW, 4BW, 6BW		14 [6]



PREFIXES	DESCRIPTION	A PIPE SIZE	LIST PRICE	
Z1852*	Type 304 (CF8) Stainless Steel	2", 3", 4"	2,380.00	
		6"	2,440.00	
ZM1852	Type 316 (CF8M) Stainless Steel	2", 3", 4"	2,856.00	
		6"	2,928.00	
OUTLETS (SPECIFY PIPE SIZE IN INCHES AND TYPE OF OUTLET)				
OUTLET TYPE	PIPE SIZE/OUTLET TYPE		ADD	
NH	No-Hub (Schedule 10)		2NH, 3NH, 4NH, 6NH	N/C
BW	Butt-Weld (Schedule 40)		2BW, 3BW, 4BW, 6BW	N/C
GRATE OPTIONS			ADD	
-2	1/2 Grate		N/C	
-3	3/4 Grate		N/C	
-HD	Heavy Duty Slotted Grate		1,159.00	
SUFFIXES			ADD	
Ⓢ- A	Adjustable Threaded Outlet		523.00	
-BF	Butterfly Lock Sediment Basket (4" SCH 40 Outlet Only)		731.00	
-K	Anchor Flange		348.00	
-KC	Anchor Flange with Seepage Holes and Clamp Collar		690.00	
-MG	EZLock Magnetic Lock System		350.00	
-P	1/2" Trap Primer Connection		167.00	
-VP	Vandal Proof Secured Top		407.00	

Ⓢ

*Regularly furnished unless otherwise specified.

Ⓢ This symbol denotes a product that is engineered to reduce installation and rework time.

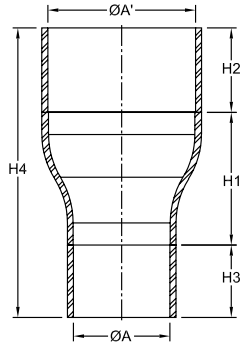
Z1870 HUB DRAIN

[SDcHD] **NEW**



ENGINEERING SPECIFICATION

Type 304 stainless steel, hub drain.



PREFIXES	DESCRIPTION	A INLET (LARGER) SIZE	LIST PRICE
Z1870*	Type 304 (CF8) Stainless Steel*	3", 4"	540.00
		6", 8"	690.00
ZM1870	Type 316 (CF8M) Stainless Steel	3", 4"	648.00
		6", 8"	828.00

OUTLETS (SPECIFY PIPE SIZE IN INCHES AND TYPE OF OUTLET)		
OUTLET TYPE	PIPE SIZE/OUTLET TYPE	ADD
BW	Butt-Weld (Schedule 40)	3BW, 4BW, 6BW, 8BW N/C
NH	No-Hub (Schedule 10)	3NH, 4NH, 6NH, 8NH N/C

Nominal Pipe A' - Inlet / B - Outlet	Dimensions in inches [mm]				Approximate Weight lb [kg]
	H1	H2	H3	H4	
Butt-Weld / No-Hub					
3/2 [38]	3-1/2 [89]	2-1/2 [64]	3 [76]	9 [229]	5 [2]
4/2 [51]	4 [102]	3 [76]	3 [76]	10 [254]	6 [2]
6/2 [76]	5-1/2 [140]	3-1/2 [89]	4 [102]	13 [330]	8 [4]
4/3 [34]	4 [102]	3 [76]	3 [76]	10 [254]	8 [4]
6/3 [51]	5-1/2 [140]	3-1/2 [89]	3 [76]	12 [305]	8 [4]
6/4 [38]	5-1/2 [140]	3 [76]	3-1/2 [89]	12 [305]	15 [7]
8/4 [51]	5-1/2 [140]	3 [76]	3-1/2 [89]	12 [305]	24 [11]
8/6 [34]	6 [152]	4 [102]	4 [102]	14 [356]	26 [12]

*Regularly furnished unless otherwise specified.

⌚ This symbol denotes a product that is engineered to reduce installation and rework time.

For additional product information, please visit www.zurn.com
Patent zurn.com/patents

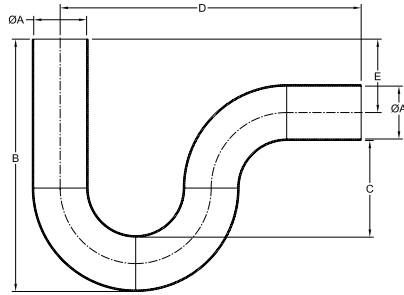
Z1890 P-TRAP

[SDcPT] **NEW**



ENGINEERING SPECIFICATION

Type 304 stainless steel, P Trap.



PREFIXES	DESCRIPTION	A PIPE SIZE	LIST PRICE
Z1890*	Type 304 (CF8) Stainless Steel*	2"	640.00
		3", 4"	940.00
		6"	2,620.00
ZM1890	Type 316 (CF8M) Stainless Steel	2"	768.00
		3", 4"	1,128.00
		6"	3,144.00
OUTLETS (SPECIFY PIPE SIZE IN INCHES AND TYPE OF OUTLET)			
OUTLET TYPE		PIPE SIZE/OUTLET TYPE	ADD
BW	Butt-Weld (Schedule 40)	2BW, 3BW, 4BW, 6BW	N/C
NH	No-Hub (Schedule 10)	2NH, 3NH, 4NH, 6NH	N/C

Product Designation	Dimensions in inches [mm]					Approximate Weight lb [kg]
	A Pipe Size	B	C	D	E	
Butt-Weld						
2BW	2 [51]	11-13/64 [285]	2-47/64 [69]	10 [254]	5-1/64 [127]	5 [2]
3BW	3 [76]	17-1/4 [438]	3-1/16 [78]	16 [406]	9-1/64 [229]	11 [5]
4BW	4 [102]	18-1/4 [464]	3-37/64 [91]	17-1/2 [445]	7-63/64 [203]	16 [7]
6BW	6 [152] 27	27-5/16 [694]	3-11/32 [85]	23-51/64 [604]	14-7/64 [358]	33 [15]
No-Hub						
2NH	2 [51]	11-13/64 [285]	2-45/64 [69]	10 [254]	5 [127]	5 [2]
3NH	3 [76]	17-1/4 [438]	3-1/8 [79]	16-1/16 [408]	8-15/16 [227]	11 [5]
4NH	4 [102]	18-1/4 [464]	3-39/64 [92]	17-39/64 [447]	7-59/64 [201]	16 [7]
6NH	6 [152]	27-5/16 [694]	3-33/64 [89]	23-45/64 [602]	13-15/16 [354]	33 [15]

ZS890 6" WIDE SANI-FLO® TRENCH DRAIN SYSTEM



Standard Length: 80"
Standard Grate Included: FS or PS

ENGINEERING SPECIFICATION

Channels shall be 80" long, 6" wide, and have a 4" wide throat. Modular channel sections shall be made of 16-gauge 304 stainless steel and shall be provided with a neoprene gasket for flanged connections. Channel shall be provided either flat (neutral) or with a 1.04% pre-slope. Channels shall be available with inverts ranging from 3.5" to 16.00". Choices of class A thru E grates shall be available with H-20 and/or FAA load ratings and/or ADA compliance with mechanical lockdown devices. End caps and catch basins shall be available to complement the channels and grates. Trench drain shall be Flo-Thru model ZS890.

NOTES

Type 316 Stainless Steel trench is available upon request. Please call customer care for pricing and lead time.

PREFIX	DESCRIPTION	CHANNEL NUMBER	LIST PRICE/FOOT
ZS*	80" #16-Gauge Type 304 Stainless Steel Trench with Fabricated Stainless Steel Grate with Four Stainless Steel Lockdowns	89001 thru 89015	445.00
			ADD/EACH
Endcaps/Outlet			401.00
GRATE OPTIONS			ADD/FOOT
-GG	Fiberglass Grate - Class A		140.00
-HPS	Heel-Proof Stainless Steel Slotted Grate - Class A		438.00
-PVSS	Stainless Steel Paver Slot - Class B		394.00
-PVSSD	Stainless Steel Heel Proof Double Paver Slot - Class B		394.00
-RFSC	Reinforced Stainless Steel Slotted Grate - Class C		140.00
-RPSC	Reinforced Stainless Steel Perforated Grate - Class C		140.00
-RPSRC	Reinforced Stainless Steel Perforated Reverse Punch Anti-Slip Grate - Class C		140.00
-SBG	Stainless Steel Bar Grate - Class E		240.00
-SCD	Stainless Steel Circular Decorative Grate - Class B		438.00
-SDD	Stainless Steel Diagonal Decorative Grate - Class B		438.00
-SOG	Stainless Steel Decorative Grate - Class B		438.00
-SWGB-AS	Slip-Resistant Stainless Steel Wire Grate - Class B		431.00
MADE IN THE U.S.A. (HIGHLIGHTED IN GRAY)			
GRATE OPTIONS			ADD/FOOT
FS	Fabricated Stainless Steel Slotted Grate - Class A		*
PS	Stainless Steel Perforated Grate - Class A		N/C
PSR	Stainless Steel Perforated Reverse Punch Anti-Slip Grate - Class A		N/C
MISCELLANEOUS OPTIONS			ADD/FOOT
K	Anchor Flange		146.00
KC	Clamp Collar and Pan with Weep Holes		241.00
P6-DEBRIS-COVER	Debris Cover		N/C
VP	Vandal-Proof Center Lockdown		14.00
			ADD/EACH
DB	Bottom Drop-In Bucket		422.00
VG	Viton Gasket		147.00
SERVICE CHARGES			ADD/EACH
Fabrication - 45°; 90°; Tee Fabs			3,317.00
- Cross Fabs			6,631.00

Trench Number	Shallow Invert		Deep Invert		Flow Rate			Approx. Wt.	
	In.	mm	In.	mm	LPS	GPM	CFS	lb	Kg
89001	3.5	89	4.33	110.1	8	129	0.287	20	9
89002	4.33	110.1	5.17	131.2	10	163	0.363	21	9.5
89003	5.17	131.2	5.38	6.00	13	201	0.448	23	10.4
89004	6.00	152.4	6.83	173.6	15	239	0.532	24	10.9
89005	6.83	173.6	7.67	194.7	17	276	0.615	26	11.8
89006	7.67	194.7	8.5	215.9	20	313	0.697	27	12.2
89007	8.5	215.9	9.33	237.1	22	351	0.782	29	13.1
89008	9.33	237.1	10.17	258.2	25	389	0.867	30	13.6
89009	10.17	258.2	11.00	279.4	27	428	0.954	32	14.5
89010	11.00	279.4	11.83	300.6	29	465	1.036	34	15.4
89011	11.83	300.6	12.67	321.7	32	504	1.123	35	15.9
89012	12.67	321.7	13.50	342.9	34	543	1.21	37	16.8
89013	13.50	342.9	14.33	364.1	37	581	1.294	39	17.7
89014	14.33	364.1	15.17	385.2	39	620	1.381	40	18.1
89015	15.17	385.2	16.00	406.4	42	659	1.468	42	19

*Regularly furnished unless otherwise specified.

⌚ This symbol denotes a product that is engineered to reduce installation and rework time.

For additional product information, please visit www.zurn.com

Patent zurn.com/patents

Z891 STAINLESS STEEL SLOTTED DRAINAGE SYSTEM



Standard Length: 5'

ENGINEERING SPECIFICATION

Channels shall be 5' long, 3/4" wide slot and have a 2-1/4" wide throat. Modular channel sections shall be made of 16-gauge type 304 stainless steel. Channel shall be provided with no slope (neutral) or with a 1.04% built-in slope. Channels shall be available with inverts ranging from 4" to 10.25". End caps and catch basins shall be available to complement the channels. Trench drain shall be Flo-Thru model Z891.

NOTES

Type 316 Stainless Steel trench is available upon request. Please call customer care for pricing and lead time.

PREFIX	DESCRIPTION	LIST PRICE/FOOT
Z*	5' #16 Gauge Type 304 Modular Stainless Steel Slotted Trench Drain with Bolted Flange Connection	405.00
MADE IN THE U.S.A. (HIGHLIGHTED IN GRAY)		
OUTLET ADAPTERS		ADD/EACH
-E1	Closed End Cap	401.00
-E2	2" No-Hub End Outlet	401.00
-U2	2" No-Hub Bottom Outlet	401.00
MISCELLANEOUS OPTIONS		ADD/FOOT
-HD	Heavy Duty Reinforcement - Class E	214.00
-K	Waterproofing Flange	162.00
-KC	Pan and Clamping Collar with Weep Holes	241.00

Trench Number	Shallow Invert		Deep Invert		Flow Rate			Approx. Wt.	
	In.	mm	In.	mm	GPM	CFS	LPS	lb	Kg
89101	4	102	4.63	118	51	3	194	15	6.8
89102	4.63	118	5.25	133	67	4	255	16	7.3
89103	5.25	133	5.88	149	84	5	316	17	7.7
89104	5.88	149	6.50	165	100	6	378	18	8.2
89105	6.50	165	7.13	181	117	7	441	19	8.6
89106	7.13	181	7.75	197	135	8	504	20	9.1
89107	7.75	197	8.38	213	150	9	568	21	9.6
89108	8.38	213	9.00	229	167	11	632	22	10
89109	9.00	229	9.63	245	184	12	696	23	10.5
89110	9.63	245	10.25	260	201	13	760	24	10.9

Z893 STAINLESS STEEL FLOOR RECEPTOR WITH BAR GRATE



ENGINEERING SPECIFICATION

Channels are made of #14 ga. fabricated Stainless Steel conforming to ASTM A-240 (Type 304). Channels weigh less than 4.15 lb per linear foot, have a smooth, 1.5" radiused self cleaning bottom with a Manning's coefficient of .009. Channels have feet for patty pour or leveling studs standard to secure trench in its final location with 4" No-Hub bottom outlet. All welds must be performed by a certified welder per ASTM standard AWS D1.6. Channels to be produced in the U.S.A.

NOTES

Standard size units are shown, special sizes are available upon request.

SIZE W" X	L"	GRATE WIDTH	SBG QTY.	LIST PRICE	-SBG LIST ADD	-RPSC/ RFSC LIST ADD	-RFS/RPS LIST ADD
12x	24	11.25	1	5,122.00	*	590.00	-
12x	30	11.25	2	6,403.00	*	737.00	-
12x	36	11.25	2	7,683.00	*	885.00	-
12x	48	11.25	2	10,244.00	*	1,176.00	-
12x	60	11.25	3	12,805.00	*	1,469.00	-
12x	72	11.25	3	15,369.00	*	1,762.00	-
12x	84	11.25	4	17,933.00	*	2,056.00	-
12x	96	11.25	4	19,700.00	*	2,349.00	-
12x	108	11.25	5	23,049.00	*	2,642.00	-
12x	120	11.25	5	25,610.00	*	2,935.00	-
18x	24	17.25	1	6,320.00	*	-	727.00
18x	30	17.25	2	7,900.00	*	-	910.00
18x	36	17.25	2	9,479.00	*	-	1,089.00
18x	48	17.25	2	12,639.00	*	-	1,357.00
18x	60	17.25	3	15,799.00	*	-	1,814.00
18x	72	17.25	3	18,958.00	*	-	2,176.00
18x	84	17.25	4	22,118.00	*	-	2,538.00
18x	96	17.25	4	25,278.00	*	-	2,902.00
18x	108	17.25	5	28,438.00	*	-	3,262.00
18x	120	17.25	5	31,597.00	*	-	3,623.00
24x	24	23.25	2	6,906.00	*	-	3,875.00
24x	30	23.25	2	8,632.00	*	-	4,843.00
24x	36	23.25	2	10,359.00	*	-	5,810.00
24x	48	23.25	3	13,812.00	*	-	7,746.00
24x	60	23.25	3	17,264.00	*	-	9,684.00
24x	72	23.25	4	20,717.00	*	-	11,618.00
24x	84	23.25	5	24,170.00	*	-	13,554.00
24x	96	23.25	5	27,623.00	*	-	15,489.00
24x	108	23.25	6	31,078.00	*	-	17,425.00
24x	120	23.25	6	34,531.00	*	-	19,362.00
MISCELLANEOUS OPTIONS							ADD/FOOT
-KC	Clamp Collar and Pan with Weep Holes						313.00
-VP	Vandal-Proof Center Lockdown						14.00
							ADD/EACH
-DB	Bottom Drop-In Bucket						111.00

Size	No. of Grates	Dimensions in Inches [mm]					
		A		B		C	
		In.	mm	In.	mm	In.	mm
12	1	14.3	363	24	610	4	102
	2						
	3						
	5						
18	1	20.3	516	24	610	4	102
	2						
	3						
	5						
24	1	26.6	676	24	610	4	102
	2						
	3						
	5						

*Regularly furnished unless otherwise specified.

⌚ This symbol denotes a product that is engineered to reduce installation and rework time.

For additional product information, please visit www.zurn.com
Patent zurn.com/patents

Z894 24" WIDE TRENCH DRAIN SYSTEM



Standard length: 60"
Standard grate: FS

ENGINEERING SPECIFICATION

24" Wide Pre-Sloped Trench Drainage System with 1/8" per foot slope. #12 Gage Type 304 Stainless Steel drain channel with bolted flanged connection complete with rubber neoprene flange gasket.

PREFIX	DESCRIPTION	CHANNEL NUMBER	LIST PRICE/FOOT
Z*	#12 Gage Type 304 Stainless Steel Trench	Section 1-6 (6"-9.75" invert)	1,667.00
Z*	#12 Gage Type 304 Stainless Steel Trench	Section 7-12 (9.75"-13.5" invert)	1,786.00
ENDCAP/OUTLET OPTIONS			ADD/EACH
Endcaps/Outlet			381.00
GRATE OPTIONS - NO STANDARD GRATE			ADD/FOOT
-RFS	Reinforced Stainless Steel Slotted Grate - Class A		1,822.00
-RPS	Reinforced Stainless Steel Perforated Grate - Class A		1,553.00
-SBG	Stainless Steel Bar Grate - Class A		4,240.00
-GG	Fiberglass Grate - Class A		200.00
MISCELLANEOUS OPTIONS			ADD/FOOT
-K	Anchor Flange		186.00
-KC	Clamp Collar and Pan with Weep Holes		281.00
-VP	Vandal-Proof Center Lockdown		14.00
			ADD/EACH
-DB	Bottom Drop-In Bucket		401.00
-GL	Grate Lockdown Assembly		54.00
SERVICE CHARGES			ADD/EACH
Fabrication	- 45°; 90°; Tee Fabs		4,226.00
	- Cross Fabs		8,445.00

Trench Number	Overall Depth				Max. Flow Rate			Approx. Wt. (Less Grates)	
	A Min.		B Max.		CFS	GPM	LPS	lb	Kg
	In.	mm	In.	mm					
89401	6.00	152	6.63	168	3	1299	82	70	32
89402	6.63	168	7.25	184	4	1636	103	72	33
89402N	7.25	184	7.25	184	-	-	-	73	33
89403	7.25	184	7.88	200	4	1991	126	74	34
89404	7.88	200	8.50	216	5	2362	149	76	34
89404N	8.50	216	8.50	216	-	-	-	77	35
89405	8.50	216	9.13	232	6	2746	173	78	35
89406	9.13	232	9.75	248	7	3142	198	80	36
89406N	9.75	248	9.75	248	-	-	-	81	37
89407	9.75	248	10.38	264	8	3548	224	82	37
89408	10.38	264	11.00	279	9	3963	250	84	38
89408N	11.00	279	11.00	279	-	-	-	85	39
89409	11.00	279	11.63	295	10	4387	277	86	39
89410	11.63	295	12.25	311	11	4817	304	88	40
89410N	12.25	311	12.25	311	-	-	-	89	40
89411	12.25	311	12.88	327	12	5253	331	90	41
89412	12.88	327	13.50	343	13	5696	359	92	42
89412N	13.50	343	13.50	343	-	-	-	93	42
89413	13.50	343	14.13	359	14	6143	388	94	43
89414	14.13	359	14.75	375	15	6595	416	96	44
89414N	14.75	375	14.75	375	-	-	-	97	44
89415	14.75	375	15.38	391	16	7051	445	98	44
89416	15.38	391	16.00	406	17	7512	474	100	45
89416N	16.00	406	16.00	406	-	-	-	101	46
89417	16.00	406	16.63	422	18	7975	503	102	46
89418	16.63	422	17.25	438	19	8442	533	104	47
89418N	17.25	438	17.25	438	-	-	-	105	48
89419	17.25	438	17.88	454	20	8912	562	106	48
89420	17.88	454	18.50	470	21	9385	592	108	49

ZS895 12" WIDE SANI-FLO® TRENCH DRAIN SYSTEM



Standard Length: 96"
Standard Grate Included: FS or PS

ENGINEERING SPECIFICATION

Channels shall be 96" long, 12" wide, and have a 9-1/8" wide throat. Modular channel sections shall be made of 12-gauge 304 stainless steel. Channel shall be provided with no slope (neutral) or with a 1.04% built-in slope. Channels shall be available with inverts ranging from 6.00" to 18.50". Choices of class A thru C grates shall be available with H-20 and/or FAA load ratings and/or ADA compliance with mechanical lockdown devices. End caps and catch basins shall be available to complement the channels and grates. End outlets, bottom outlets, and side outlets shall be available in 4", 6", and 8" diameters. Trench drain shall be Flo-Thru model ZS895.

NOTES

Type 316 Stainless Steel trench is available upon request. Please call customer care for pricing and lead time.

MADE IN THE U.S.A. (HIGHLIGHTED IN GRAY)			
PREFIX	DESCRIPTION	CHANNEL NUMBER	LIST PRICE/FOOT
ZS*	96" #12-Gauge Type 304 Stainless Steel Trench with Stamped Stainless Steel Grate with Four Stainless Steel Lockdowns	89501 thru 89515	893.00
OPTIONS			ADD/EACH
Endcaps/Outlet			472.00
GRATE OPTIONS			ADD/FOOT
FS	Fabricated Stainless Steel Slotted Grate - Class A		*
GG	Fiberglass Grate (Not Made in U.S.A. Configurable) - Class A		328.00
PS	Stainless Steel Perforated Grate - Class A		N/C
PSR	Stainless Steel Perforated Reverse Punch Grate - Class A		N/C
RFSC	Reinforced Stainless Steel Slotted Grate - Class C		395.00
RPSC	Reinforced Stainless Steel Perforated Grate - Class C		566.00
RPSRC	Reinforced Stainless Steel Perforated Reversed Punch Anti-Slip Grate - Class C		566.00
SBGE	Stainless Steel Bar Grate - Class E		620.00
SBG-L	Stainless Steel Bar Grate - Class C		499.00
SSCD	Reinforced Stainless Steel Solid Cover - Class B		441.00
SWG	Stainless Steel Wire Grate		522.00
SWG-B-AS	Slip-Resistant Stainless Steel Wire Grate - Class B		1,020.00
MISCELLANEOUS OPTIONS			ADD/FOOT
K	Anchor Flange		177.00
KC	Clamp Collar and Pan with Weep Holes		267.00
P12-DEBRIS-COVER	Debris Cover		N/C
VG	Viton Gasket		93.00
VP	Vandal-Proof Center Lockdown		13.00
			ADD/EACH
DB	Bottom Drop-In Bucket		381.00
SERVICE CHARGES			ADD/EACH
Fabrication	- 45°; 90°; Tee Fabs		3,762.00
	- Cross Fabs		7,517.00

Trench Number	Shallow Invert		Deep Invert		Flow Rate			Approx. Wt.	
	In.	mm	In.	mm	CFS	GPM	LPS	lb	Kg
89501	6.00	152.4	7.00	177.8	1.286	577	36	70	31.7
89502	7.00	177.8	8.00	203.2	2.324	1043	66	73	33.1
89503	8.00	203.2	9.00	228.6	2.705	1214	77	76	34.5
89504	9.00	228.6	10.00	254	3.095	1389	88	80	36.3
89505	10.00	254	11.00	279.4	3.487	1565	99	83	37.6
89506	11.00	279.4	12.00	304.8	3.886	1744	110	86	39
89507	12.00	304.8	13.00	330.2	4.289	1925	121	90	40.8
89508	13.00	330.2	14.00	355.6	4.692	2106	126	93	42.2
89509	14.00	355.6	15.00	381	5.102	2290	133	96	43.5
89510	15.00	381	16.00	406.4	5.512	2474	156	99	44.9
89511	16.00	406.4	17.00	431.8	5.924	2659	168	103	46.7
89512	17.00	431.8	18.00	457.2	6.341	2846	180	106	48

*Regularly furnished unless otherwise specified.

⌚ This symbol denotes a product that is engineered to reduce installation and rework time.

For additional product information, please visit www.zurn.com
Patent zurn.com/patents

Z898 18" WIDE TRENCH DRAIN SYSTEM



Standard length: 60"
Standard grate: FS

ENGINEERING SPECIFICATION

18" Wide Pre-Sloped Trench Drainage System with 1/8" per foot slope. #12 Gage Type 304 Stainless Steel drain channel with bolted flanged connection complete with rubber neoprene flange gasket and stamped stainless steel grate.

PREFIX	DESCRIPTION	CHANNEL NUMBER	LIST PRICE/FOOT
Z*	#12 Gage Type 304 Stainless Steel Trench	89801 through 89806	1,489.00
Z*	#12 Gage Type 304 Stainless Steel Trench	89807 through 89820	1,727.00
ENDCAP/OUTLET OPTIONS			ADD/EACH
Endcaps/Outlet			691.00
GRATE OPTIONS - NO STANDARD GRATE			ADD/FOOT
-RFS	Reinforced Stainless Steel Slotted Grate - Class A		1,841.00
-RPS	Reinforced Stainless Steel Perforated Grate - Class A		1,546.00
-SBG	Stainless Steel Bar Grate - Class A		1,810.00
-GG	Fiberglass Grate - Class A		162.00
MISCELLANEOUS OPTIONS			ADD/FOOT
-K	Anchor Flange		186.00
-KC	Clamp Collar and Pan with Weep Holes		281.00
-VP	Vandal-Proof Center Lockdown		14.00
			ADD/EACH
-DB	Bottom Drop-In Bucket		401.00
SERVICE CHARGES			ADD/EACH
Fabrication	- 45°; 90°; Tee Fabs		4,739.00
	- Cross Fabs		9,473.00

Trench Number	Overall Depth				Max. Flow Rate			Approx. Wt. (Less Grates)	
	A Min.		B Max.		CFS	GPM	LPS	lb	Kg
	In.	mm	In.	mm					
89801	6.00	152	6.63	168	1.43	640	2423	60	27
89802	6.63	168	7.25	184	1.79	805	3047	62	28
89802N	7.25	184	7.25	184	-	-	-	64	29
89803	7.25	184	7.88	200	2.19	982	3717	65	29
89804	7.88	200	8.50	216	2.60	1167	4418	67	30
89804N	8.50	216	8.50	216	-	-	-	68	31
89805	8.50	216	9.13	232	3.03	1361	5152	69	31
89806	9.13	232	9.75	248	3.48	1562	5913	72	33
89806N	9.75	248	9.75	248	-	-	-	73	33
89807	9.75	248	10.38	264	3.94	1769	6696	74	34
89808	10.38	264	11.00	279	4.42	1982	7503	76	34
89808N	11.00	279	11.00	279	-	-	-	77	35
89809	11.00	279	11.63	295	4.90	2200	8328	78	35
89810	11.63	295	12.25	311	5.40	2423	9172	81	37
89810N	12.25	311	12.25	311	-	-	-	82	37
89811	12.25	311	12.88	327	5.91	2651	10035	83	38
89812	12.88	327	13.50	343	6.42	2882	10910	85	39
89812N	13.50	343	13.50	343	-	-	-	86	39
89813	13.50	343	14.13	359	6.95	3117	11799	88	40
89814	14.13	359	14.75	375	7.48	3356	12704	90	41
89814N	14.75	375	14.75	375	-	-	-	91	41
89815	14.75	375	15.38	391	8.02	3597	13616	92	42
89816	15.38	391	16.00	406	8.56	3841	14544	95	43
89816N	16.00	406	16.00	406	-	-	-	96	44
89817	16.00	406	16.63	422	9.11	4089	15479	97	44
89818	16.63	422	17.25	438	9.67	4338	16421	99	45
89818N	17.25	438	17.25	438	-	-	-	100	45
89819	17.25	438	17.88	454	10.23	4590	17375	102	46
89820	17.88	454	18.50	470	10.79	4844	18337	104	47

Z897 STAINLESS STEEL CATCH BASIN



Standard Grate Included: FS or PS

ENGINEERING SPECIFICATION

Catch Basins shall be 6" wide x 20" long x 24" deep, 12" wide x 24" long x 24" deep, or 24" wide x 24" long x 24" deep and shall be made of #16- or #12-gauge 304 stainless steel. Choices of class A thru E grates shall be available with H-20, FAA, and/or ADA compliance. Outlets in 2", 3", 4", 6", and 8" diameters shall be available. Catch Basin shall be Flo-Thru model Z897.

NOTES

Type 316 Stainless Steel trench is available upon request. Please contact customer care for pricing and lead time.

Please contact customer care for mechanical lockdown availability and pricing.

PREFIX	DESCRIPTION	NOMINAL SIZE	APPROX. WT. LBS. (LESS GRATES)	STANDARD PRICE
Z*	Stainless Steel Catch Basin	6x20	49	1,977.00
		12x24	67	3,084.00
		24x24	88	3,798.00

OUTLET OPTIONS

2", 3", 4", 6" 200.00

GRATE OPTIONS

		6X20	12X24	24X24
-GG	Fiberglass Grate - Class A	137.00	267.00	400.00
-HPS	Heel-Proof Stainless Steel Slotted Grate - Class A	438.00	-	-
-RFSC	Reinforced Stainless Steel Slotted Grate - Class C	340.00	668.00	-
-RPSC	Reinforced Stainless Steel Perforated ADA Grate - Class C	340.00	668.00	-
-RPSRC	Reinforced Stainless Steel Perforated Reverse Punch Anti-Slip ADA Grate - Class C	340.00	668.00	-
-SBGE	Stainless Steel Bar Grate - Class E	408.00	1,002.00	-
-SCD	Stainless Steel Circular Decorative Grate - Class B	438.00	-	-
-SDD	Stainless Steel Diagonal Decorative Grate - Class B	438.00	-	-
-SOD	Stainless Steel Decorative Grate - Class B	438.00	-	-
-SWGB-AS	Slip-Resistant Stainless Steel Wire Grate - Class B	718.00	1,597.00	-

MADE IN THE U.S.A. (HIGHLIGHTED IN GRAY)

GRATE OPTIONS		6X20	12X24	24X24
-FS	Fabricated Stainless Steel Slotted Grate - Class A		*	*
-PS	Perforated Stainless Steel Grate - Class A		*	*
-SBG-L	Stainless Steel Bar Grate - Class C		-	499.00

MISCELLANEOUS OPTIONS

			ADD/EACH	
-K	Anchor Flange	171.00	296.00	422.00
-KC	Clamp Collar and Pan	254.00	377.00	501.00
-P6-DEBRIS-COVER	Debris Cover	N/C	-	-
-P12-DEBRIS-COVER	Debris Cover	-	N/C	-
-VP	Vandal-Proof Center Lockdown	129.00	129.00	129.00
-YS	Stainless Steel Sediment Bucket	360.00	520.00	873.00

*Regularly furnished unless otherwise specified.

⌚ This symbol denotes a product that is engineered to reduce installation and rework time.

For additional product information, please visit www.zurn.com
Patent zurn.com/patents

NOTES

TECHNICAL INFORMATION

TECHNICAL INFO – STAINLESS STEEL DRAINS BUTT-WELD ENGINEERING DATA	26
TECHNICAL INFO – OUTLET PIPE CONNECTIONS	27
TECHNICAL INFO – TOP LOADING CLASSIFICATION	28
TECHNICAL INFO – EZ STOP LOCK	29
TECHNICAL INFO – BUTTERFLY LOCKING VALVE	29
GENERAL TERMS AND CONDITIONS	30

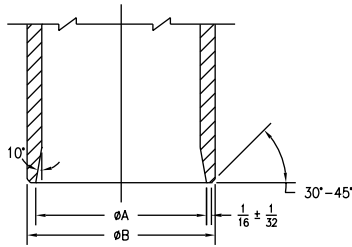
TECHNICAL INFO – STAINLESS STEEL DRAINS BUTT-WELD ENGINEERING DATA

Butt-Welding Casting Outlets

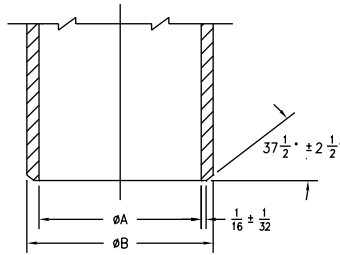
The outlet sections of all cast carbon steel or cast stainless steel products as specified from this brochure shall conform to ANSI-B36.10M-85 and ANSI-B36.19M-85 standards for pipe wall thicknesses for Schedule 10, Schedule 40, or Schedule 80 as specified.

Butt-welding ends of the above mentioned sections shall conform to ANSI B16.25-86 standard for plain welding bevel of $37\frac{1}{2}^\circ + 2\frac{1}{2}^\circ$ and root face (land) of $\frac{1}{16}'' + \frac{1}{32}''$.

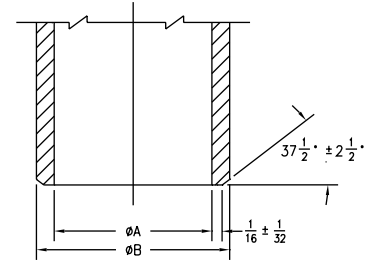
All outlet requirements must be specified and made known to the manufacturer prior to quotation of prices of products applicable to the project.



Schedule 10S Pipe



Schedule 40 Pipe



Schedule 80 Pipe

SCHEDULE PIPE	DIMENSIONS IN INCHES [MM]									
	PIPE SIZE									
	2 [51]		3 [76]		4 [102]		6 [152]		8 [203]	
	A	B	A	B	A	B	A	B	A	B
10S	2.157	2.375	3.260	3.500	4.260	4.500	6.375	6.625	8.329	8.625
40	2.067	2.375	3.068	3.500	4.026	4.500	6.065	6.625	7.981	8.625
80	1.939	2.375	2.900	3.500	3.826	4.500	5.761	6.625	7.625	8.625

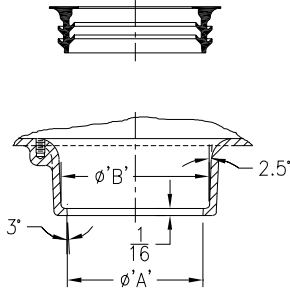
TECHNICAL INFO – OUTLET PIPE CONNECTIONS

INSIDE CAULK (IC)

Often specified where drain body is positioned on pipe, bottom of outlet is sealed with oakum and connection is then completed according to local plumbing codes.

INSIDE GASKET (IG)

The IG connections utilize an inside caulk drain body and a Zurn "Sealtrol" gasket. This connection is only recommended for basement or ground floor applications.

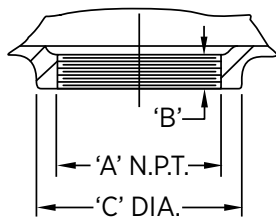


I.C. with Sealtrol Gasket (IG) Inside Caulk (IC)

OUTLETS	'A'	'B'	'C'
2. [51] I.C. Outlet	2-5/8 [67]	3-1/16 [78]	-
3. [76] I.C. Outlet	3-3/4 [95]	4-3/16 [106]	-
4. [102] I.C. Outlet	4-3/4 [121]	5-3/16 [132]	-
5. [127] I.C. Outlet	5-3/4 [146]	6-3/16 [157]	-
6. [152] I.C. Outlet	6-3/4 [172]	7-3/16 [183]	-
8. [203] I.C. Outlet	8-7/8 [226]	9-1/2 [241]	-

IRON PIPE (IP)

Zurn Iron Pipe Threaded connection is an old industry standard. The female (NPT) threaded outlet is often specified on industrial and institutional applications.

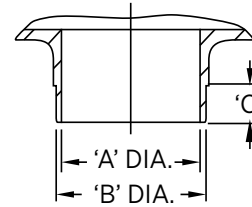


I.P. (Threaded/N.P.T.)

OUTLETS	'A'	'B'	'C'
2. [51] N.P.T. Outlet	2 [51]	9/16 [14]	3-1/4 [83]
3. [76] N.P.T. Outlet	3 [76]	3/4 [19]	4-1/2 [114]
4. [102] N.P.T. Outlet	4 [102]	15/16 [24]	5-5/8 [143]
5. [127] N.P.T. Outlet	5 [127]	15/16 [24]	6-11/16 [170]
6. [152] N.P.T. Outlet	6 [152]	1 [25]	7-3/4 [197]
8. [203] N.P.T. Outlet	8 [203]	1-1/8 [29]	9-3/8 [238]

NO-HUB (NH)

The most widely used connection. A No-Hub connection is achieved by butting No-Hub soil pipe or plastic pipe to the bottom of drain and securing it with a NH joint clamp. (Clamp furnished by others.)



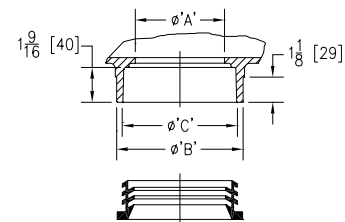
No-Hub (NH)

OUTLETS	'A'	'B'	'C'
2. [51] No-Hub Outlet	2 [51]	2-3/8 [60]	1-9/16 [40]
3. [76] No-Hub Outlet	3 [76]	3-3/8 [86]	1-9/16 [40]
4. [102] No-Hub Outlet	4 [102]	4-3/8 [111]	1-9/16 [40]
5. [127] No-Hub Outlet	4-15/16 [126]	5-5/16 [135]	2-1/16 [52]
6. [152] No-Hub Outlet	5-15/16 [151]	6-5/16 [160]	2-1/16 [52]
8. [203] No-Hub Outlet	8 [203]	8-3/8 [213]	2-1/16 [52]
10. [254] No-Hub Outlet	10 [254]	10-9/16 [268]	2-1/16 [52]
12. [305] No-Hub Outlet	12 [305]	12-9/16 [319]	2-1/16 [52]

NEO-LOC (NL)

Zurn Neo-Loc is a unique labor-saving compression gasketed connection designed to simply push on the stub end of the pipe. The Neo-Loc drain body and gasket can be utilized with plastic, steel, No-Hub and service weight soil pipe. A unique pipe stop cast in each Zurn Neo-Loc drain body ensures a proper fit.

Note: Not recommended for roof drain applications due to the watertight integrity of the Neo-Loc connection to the leader pipe being dependent upon adequate leader pipe support and accurate perpendicularity of leader pipe into Neo-Loc gasket.



"Neo-Loc" (NL)

OUTLETS	'A'	'B'	'C'
2. [51] Neo-Loc Outlet	2 [51]	3-3/8 [86]	3 [76]
3. [76] Neo-Loc Outlet	3 [76]	4-3/8 [111]	4 [102]
4. [102] Neo-Loc Outlet	4 [102]	5-1/2 [140]	5-1/8 [130]
2. [51] NL w/-TC	2 [51]	3-3/8 [86]	3 [76]
3. [76] NL w/-TC	3 [76]	4-3/8 [111]	4 [102]
4. [102] NL w/-TC	4 [102]	5-1/2 [140]	5-1/8 [130]

Special Note: Zurn "Neo-Loc" and "Sealtrol" gaskets are designed for use exclusively with Zurn drainage products. They are not sold separately and all warranties either expressed or implied would be forfeited if used in other than a Zurn drainage product.

TECHNICAL INFO – TOP LOADING CLASSIFICATION

Selection of a Zurn Floor Drain should be based on the load factor and the anticipated traffic. Many of Zurn's cast iron grates may be furnished in Duresist iron when increased working load requirements are necessary. Specify Duresist grate (-DG) when required or contact your Zurn representative when special applications are necessary.

Zurn drains are rated as follows: (Reference ASME Standard A112.6.3M)

6.1 – LOADING CLASSIFICATIONS

Grates and top rims shall be designed to meet the following loading classifications.

6.1.1 – LIGHT DUTY

All grates having safe live load (as calculated in para. 6.2.5) under 2000 lb. [900 kg].

6.1.2 – MEDIUM DUTY

All grates having safe live load (as calculated in para. 6.2.5) between 2000 lb. [900 kg] and 4999 lb. [2250 kg].

6.1.3 – HEAVY DUTY

All grates having safe live load (as calculated in para. 6.2.5) between 5000 lb. [2250 kg] and 7499 lb. [3375 kg].

6.1.4 – EXTRA HEAVY DUTY

All grates having safe live load (as calculated in para. 6.2.5) between 7500 lb. [3375 kg] and 10,000 lb. [4500 kg].

6.1.5 – SPECIAL DUTY

Grates having safe live load (as calculated in para. 6.2.5) over 10,000 lb. [4500 kg] shall be considered special and treated accordingly.

6.2 – TEST PROCEDURE FOR GRATE LOADING

Live Load – Requirements listed in 6.1 through 6.1.5 shall be determined as follows:

*Safe live load rating of grates is for general classification purposes only.
For the actual safe live load of any given grate, contact your Zurn representative.

Note: ZB and ZN 400 Series drain head assemblies are rated for light-duty applications only.

6.2.1 – LOAD CLASSIFICATIONS

Load classifications as stated in 6.1 shall be determined by laboratory tests.

6.2.2 – PLATEN SIZE

A 3.5 in. [89 mm] diameter platen shall be applied to the center of the grate specimen.

6.2.3 – LOADING

Loading shall be applied slowly so that point of failure can be observed.

6.2.4 – POINT OF FAILURE

(a) Brittle Materials (Cast Iron). The load (in pounds or kilograms) at which the first fracture on any part of the specimen appears.

(b) Ductile Material. The load which the permanent set (at the point of loading) is greater than 2% of the longest transverse dimension of the specimen.

6.2.5 – GRATE CLASSIFICATION

The maximum safe live load is computed by dividing the load at failure by two.

TECHNICAL INFO - EZ STOP LOCK

A SOLUTION FOR EXISTING DRAINS

Prevent damage and protect your plumbing system with the EZ Stop Lock and stainless steel inserts.

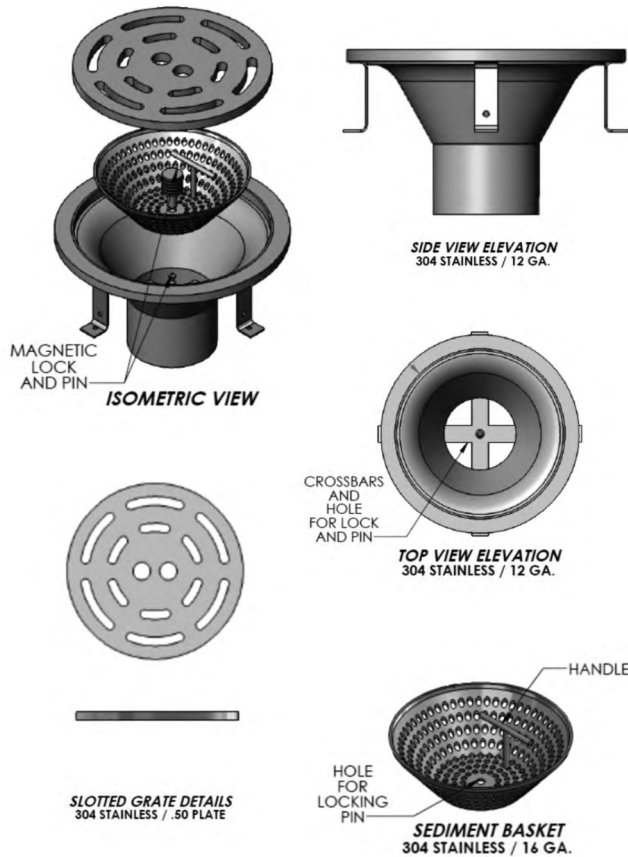
The EZ Stop Lock, with its use of a magnetic lock, is a tested solution developed to prevent unauthorized access to trunk lines, protecting your drainage system from negligence and improper disposal of

trash and debris. This solution can be added to any of our existing area drains or floor drains.

The EZ Stop Lock can be fitted to any Zurn stainless drain and our stainless steel inserts can be fitted to existing floor and area drains.

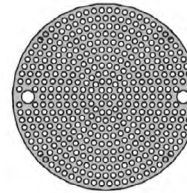
STAINLESS STEEL DRAIN INSERTS

Stainless steel inserts, made from 304 or 316 stainless, can be added to any existing floor or area drain to add an additional layer of protection for your plumbing system. Much like the EZ-Stop-Lock, the inserts are secured with the use of a magnetic lock. Available in round and square perforated screens.



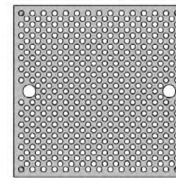
SOS - 12.0 X 10.0 ID X 7.0 ROUND SANITARY AREA DRAIN

SDS - 9.0 X .135 PERFORATED SCREEN INSERT



TOP VIEW ELEVATION 304 STAINLESS / 10 GA.

SDS - 8.25 X 8.25 X .135 PERFORATED SCREEN INSERT



TOP VIEW ELEVATION 304 STAINLESS / 10 GA.



SIDE VIEW ELEVATION 304 STAINLESS / 10 GA.



(2) LOCK & PIN 304 STAINLESS



SIDE VIEW ELEVATION 304 STAINLESS / 10 GA.



(2) LOCK & PIN 304 STAINLESS

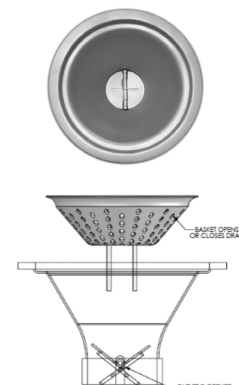
TECHNICAL INFO - BUTTERFLY LOCKING VALVE

Zurn offers a patent pending Butterfly Locking Valve (BLV) to protect your pipes and trunk lines against debris. This stainless steel basket strainer system discourages improper waste disposal by simply closing off the drain when the sediment basket is removed by maintenance crews. This drain option can be a valuable tool by helping to prevent clogged drain systems, as well as reducing the potential for unexpected maintenance costs.

ENGINEERING SPECIFICATIONS

STANDARD OPTIONS

304 or 316 Stainless Steel
Schedule 40 Outlet
Outlet Sizes: 4" only



GENERAL TERMS AND CONDITIONS

PRICE AND TERMS OF PAYMENT

Terms are net, payable 30 days from date of invoice. Zurn Credit must be identified of potential pricing errors within 30 days of invoice date. Shortage claims must be reported within 10 working days of receiving product to your local Zurn Rep or Zurn Customer Care. The Buyer shall pay all sales, consumers, or other applicable taxes. A 1-1/2% monthly (18% annual) service charge will be added to the outstanding balance of all past due invoices.

Minimum invoice \$250.00. Zurn Water, LLC ("Zurn") reserves the right to apply a minimum order charge in order to meet the \$250.00 minimum invoice requirement. All orders are subject to credit approval by the Zurn Credit Department prior to the acceptance of an order. Orders may be refused, delivery may be withheld, or shipment stopped in transit without any liability on Zurn's part at Zurn's sole discretion based upon Buyer's credit worthiness as determined by Zurn.

FREIGHT

All sales are F.O.B. seller's location. Zurn will allow full freight allowance when any of the following conditions are met: 1) Plumbing Fixtures only orders totaling \$10,000 or more; 2) Zurn One Systems orders of \$7,500 or more; 3) Any combination of Linear Drainage and/or Stainless Drains orders of \$5,000 or more; 4) Any combination of Specification Drainage, Finish Plumbing, and/or Zurn Wilkins of \$5,000 or more; 5) Commercial Drainage only orders of \$3,500 or more; 6) PEX orders of \$3,000 or more. This full freight allowance applies when the shipment is within the continental United States and has a single destination of a Buyer's standard address or job location. Routing of shipment shall be determined at the sole discretion of Zurn. Shipping dates are estimates and time of delivery shall not be of the essence of this sale contract. Under no circumstances will the Seller have any responsibility on account of any delays in manufacture, transportation, or otherwise. Terms of Export Shipment on application.

NOTE: Shipments in excess of 90" long or 3,000 lbs may be subject to additional charges, and shall be defined as an oversized and/or overweight product and Zurn's standard FFA terms may not apply. Please contact our Customer Service Department for guidance on potential additional shipping charges. This new policy supersedes any existing agreements.

These charges and restrictions apply in addition to Zurn standard terms and conditions for sale unless otherwise agreed upon by the parties.

LIMITED WARRANTY

Zurn goods sold hereunder are warranted to be free from defects in material and factory workmanship for the period of time from the date of purchase: AquaVantage® Flush Valves, AquaFlush® Flush Valves, Commercial Fixtures, Faucets, Showers, and Tubular Brass: three years; Chemical Drainage, Linear Drainage, Commercial Drainage, Specification Drainage, Zurn Wilkins, and Flush Valve, Faucets, and Tubular Brass decorative finishes: one year; PHIX® Cartridge: ten years; FOG-ceptor®: thirty years. Where permitted by law, **THE IMPLIED WARRANTY OF MERCHANTABILITY IS LIMITED TO THE ABOVE IDENTIFIED PERIOD OF TIME AND SHALL BE LIMITED SOLELY TO THE REPLACEMENT OF THE DEFECTIVE GOODS.** A damaged/broken test cock or ball valve is not considered defective. Please contact Zurn Customer Care for assistance.

Zurn will replace goods at no cost that prove defective provided Zurn is notified in writing of such defect and the goods are returned prepaid at the specified Zurn location with evidence that they have been properly maintained and used in accordance with instructions. **ZURN SHALL NOT BE RESPONSIBLE FOR ANY LABOR CHARGES OR ANY LOSS, INJURY, OR DAMAGES WHATSOEVER, INCLUDING, BUT NOT LIMITED TO, INCIDENTAL OR CONSEQUENTIAL DAMAGES.** The sole and exclusive remedy shall be limited to the replacement of the defective goods. Before installation and use, the purchaser shall determine the suitability of the product for his intended use and the purchaser assumes all risk and liability whatever in the connection therewith. All weights stated in Zurn catalogs and lists are approximate and are not guaranteed.

RETURNED GOODS

Standard cataloged material may be returned only with the written permission of Zurn. Returned goods are subject to a 25% restocking charge of total saleable material returned, plus the cost of reconditioning, if necessary, to make material sellable. Transportation charges are the responsibility of the Buyer. Credit allowance will be in the form of merchandise credit only – not cash credit. The value of the return must total at least \$100.00 to qualify for credit allowance. No credit will be allowed for parts unless originally ordered and invoiced as parts. No credit will be allowed for discontinued or made-to-order items. Items that have been specially made are not subject to return or cancellation except by special negotiation. Material must be returned within one year of invoice date for credit to be issued for Commercial Fixtures, Flush Valve Products, Specification Drainage, Tubular Brass, Zurn Wilkins, Chemical Drainage, Linear Drainage, and Commercial Drainage. No credit is allowed for Linear Drainage products that have been cut and Specification Drainage product with auxiliary tapings. Flush Valve material over one year old will be subject to a 50% handling charge. Flush Valve material over five years old will not be accepted. Commercial Drainage and Specification Drainage galvanized material will be credited at value of Dura-Coated cast iron, and chrome-plated at value of bronze. Zurn Wilkins damaged/broken test cocks or ball valves are not considered defective.

ILLUSTRATIONS OF TYPICAL INSTALLATIONS

The typical installations for various products found in each product section are intended to illustrate the products and potential options for the use of these products. Under no circumstances are they to be construed as recommended installation procedures. Consult local codes and project specifications for proper installation instructions.

SHORTAGE/DAMAGE CLAIMS

Notification of material shortages or incorrect filling of orders must be made to Zurn within 10 days of receipt. No claims over three months old will be honored. Buyer agrees to make all complaints for damage in transit or "short count" directly to the carrier; before the contents are unloaded have the carrier agent's acknowledgment of such damage noted on the bill of lading and to present to the carrier its agent's acknowledgment of such damaged material with formal claim covering said damage.

GENERAL

Zurn reserves the right to make changes in design or equipment of any item or product without incurring any obligation on previously sold items, and to discontinue items at any time, without notice. Possession of this Catalog or other sales literature is not to be construed as an offer to sell. All orders are subject to acceptance by Zurn. Catalog printed in U.S.A.

Zurn flush valves are designed to comply with Army Corp of Engineers and Naval guide specifications, Military Specification MIL.V.29193 and Federal Specification WWP541.

Zurn flush valves comply with the following standards: ASME A112.18.1/CSA B125.1, A112.19.5, A112.19.2, A112.19.6, ASSE 1037 and 101 are listed by the following agencies: Canadian Standards, IAPMO/UPC/CUPC, and CSA 125.3. Zurn flush valves are manufactured from dezincification resistant alloys. For additional compliances, contact Zurn Water, LLC, Finish Plumbing Operation, or 1-800-997-3876.

Zurn is not responsible for typographical errors. The contents of this guide are subject to revision without notice.

© 2024 Zurn Water, LLC Items in this guide may be covered by U.S. and foreign Patents and Patents Pending. Registered Trademarks.

NOTES

NOTES

