

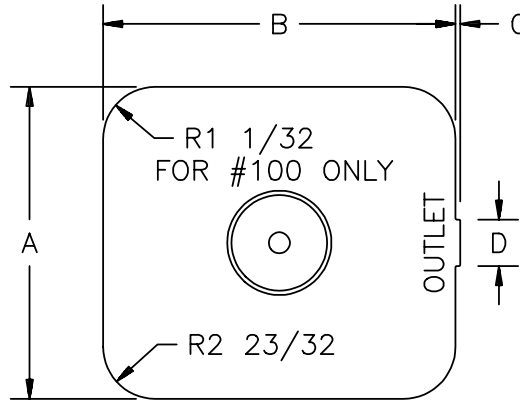


GREASE & OIL INTERCEPTOR COVER STYLES (FOR CAST IRON BODIES)

1939-1960

Note:

Greaseptor baffle assemblies, cover hardware & gasket material can also be ordered by identifying the cover (Items 1 thru 10).



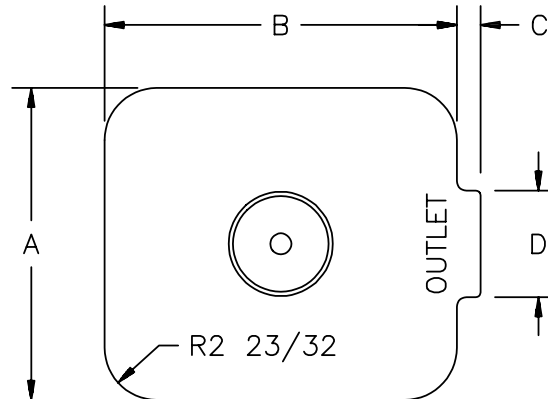
Please Check

- Cover
- Greaseptor Baffle Assembly
- Cover Hardware & Gasket Material

Please Check	Item No.	Z1170	Z1170 LT	Z1173	Z1186	A	B	C	D	Old Casting P.N.	SK-P.N. New Casting	New Fab. P.N.
<input checked="" type="checkbox"/>	1	100	-	-	-	9-1/16	13-1/16	1/4	1-15/16	2645-1	-	53414-1
	2	200	-	200	-	11-3/16	14-7/16	1/4	1-15/16	2556-1	-	53414-2
	3	300	400	300	300/400	13-9/16	16-7/16	1/4	2-7/16	2575-1	SK-640108-1	-
	4	400	-	400	500	16-5/16	18-7/16	1/4	2-7/16	2570-1	SK-640420-2	-
	5	500	600	500	600	16-13/16	21-5/16	1/4	2-15/16	2738-1	SK-640204-2	-
	6	600	-	600	700	19-7/16	23-5/16	1/4	3-15/16	4710-1	SK-630509-1	-
	7	700	-	700	800	22-1/16	25-3/16	1/4	3-15/16	4083-1	SK-630618-5	-
	8	800	-	800	-	24-1/16	27-1/16	1/4	3-13/16	24056-1	SK-630917-3	-
	9	-	500	-	-	20-9/16	24-5/16	1/4	2-15/16	23328-1	-	53414-9
	10	-	700	-	-	28-13/16	35-7/16	5/16	3-13/16	23355-1	-	53414-10

Note:

Greaseptor baffle assemblies, cover hardware & gasket material can also be ordered by identifying the cover (Items 11 thru 20).



Please Check

- Cover
- Greaseptor Baffle Assembly
- Cover Hardware & Gasket Material

Please Check	Item No.	Z1170	Z1170 LT	Z1173	Z1186	A	B	C	D	Old Casting P.N.	SK-P.N. New Casting	New Fab. P.N.
<input checked="" type="checkbox"/>	11	100	-	-	-	9-1/16	13-1/16	1-1/4	4-5/16	2645-3	-	-
	12	200	-	200	-	11-3/16	14-7/16	1	4-13/16	2556-3	-	-
	13	300	400	300	300/400	-	-	-	-	-	-	-
	14	400	-	400	500	16-5/16	18-7/16	1-7/16	7-3/16	2570-3	SK-640227-1	-
	15	500	600	500	600	16-13/16	21-5/16	1-3/8	7-1/8	2738-3	SK-630717-1	-
	16	600	-	600	700	19-7/16	23-5/16	1-7/16	7-5/16	4710-2	SK-641014-1	-
	17	700	-	700	800	22-1/16	25-3/16	1-11/16	7-13/16	4083-2	SK-700320-1	-
	18	800	-	800	-	-	-	-	-	-	-	-
	19	-	500	-	-	-	-	-	-	-	-	-
	20	-	700	-	-	28-13/16	35-7/16	1	7-3/16	23355-2	-	-



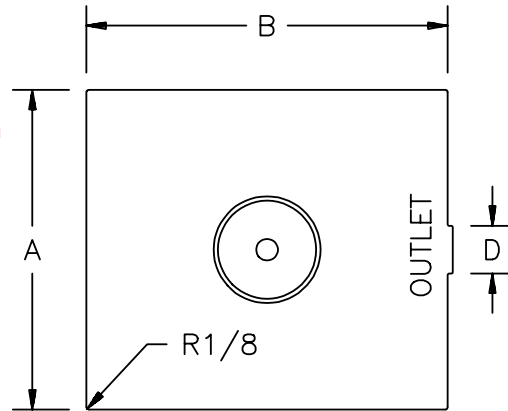
GREASE & OIL INTERCEPTOR COVER STYLES (FOR CAST IRON BODIES)

1961-1974

Note:

Greaseptor baffle assemblies, cover hardware & gasket material can also be ordered by identifying the cover (Items 21 thru 30).

- Please Check
- Cover
- Greaseptor Baffle Assembly
- Cover Hardware & Gasket Material

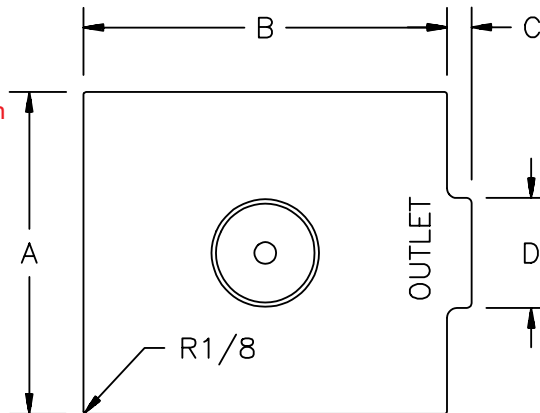


Please Check	Item No.	Z1170	Z1170 LT	Z1173	Z1186	A	B	C	D	New Casting P.N.	New Fab. P.N.
<input checked="" type="checkbox"/>	21	100	-	200	-	-	-	-	-	-	-
	22	200	-	300	-	-	-	-	-	-	-
	23	300	-	400	300/400	-	-	-	-	-	-
	24	400	-	500	500	16-5/16	18-7/16	1/4	2-7/16	2570-1	-
	25	500	-	600	600	16-13/16	21-5/16	1/4	2-15/16	2738-1	-
	26	600	-	700	700	19-7/16	23-5/16	1/4	3-15/16	4710-1	-
	27	700	-	800	800	22-1/16	25-3/16	1/4	3-15/16	4083-1	-
	28	800	-	900	-	24-1/16	27-1/16	1/4	3-13/16	24056-1	-
	29	-	500	-	-	-	-	-	-	-	-
	30	-	700	-	-	-	-	-	-	-	-

Note:

Greaseptor baffle assemblies, cover hardware & gasket material can also be ordered by identifying the cover (Items 31 thru 40).

- Please Check
- Cover
- Greaseptor Baffle Assembly
- Cover Hardware & Gasket Material



Please Check	Item No.	Z1170	Z1170 LT	Z1173	Z1186	A	B	C	D	New Casting P.N.	New Fab. P.N.
<input checked="" type="checkbox"/>	31	100	-	200	-	-	-	-	-	-	-
	32	200	-	300	-	-	-	-	-	-	-
	33	300	-	400	300/400	13-9/16	16-7/16	1-1/2	5-1/4	2575-1	53414-3
	34	400	-	500	500	16-5/16	18-7/16	1-7/16	7-3/16	2570-3	53414-4
	35	500	-	600	600	16-13/16	21-5/16	1-3/8	7-1/8	2738-3	53414-5
	36	600	-	700	700	19-7/16	23-5/16	1-7/16	7-5/16	4710-2	53414-6
	37	700	-	800	800	22-1/16	25-3/16	1-11/16	7-15/16	4083-2	53414-7
	38	800	-	900	-	-	-	-	-	-	-
	39	-	500	-	-	-	-	-	-	-	-
	40	-	700	-	-	-	-	-	-	-	-

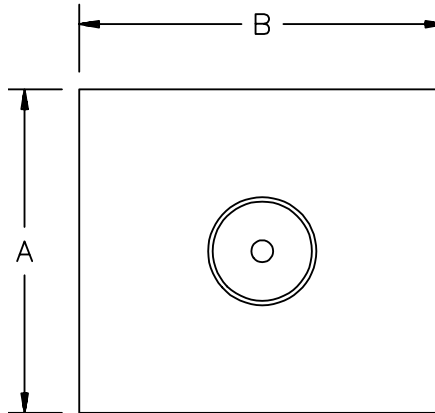


GREASE & OIL INTERCEPTOR COVER STYLES (FOR FABRICATED STEEL BODIES)

1975-1982

Note:

Greaseptor baffle assemblies, cover hardware & gasket material can also be ordered by identifying the cover (Items 41 thru 50).



Please Check

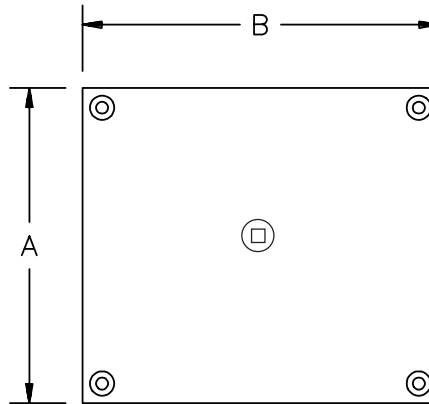
- Cover
- Greaseptor Baffle Assembly
- Cover Hardware & Gasket Material

Please Check	Item No.	Z1170	Z1170 LT	Z1173	Z1186	A	B	New Fab. P.N.
<input checked="" type="checkbox"/>	41	100	-	200	-	-	-	53414-11
	42	200	-	300	-	-	-	53414-12
	43	300	-	400	300/400	13-9/16	16-7/16	53414-13
	44	400	-	500	500	16-5/16	18-7/16	53414-14
	45	500	-	600	600	16-13/16	21-5/16	53414-15
	46	600	-	700	700	19-7/16	23-5/16	53414-16
	47	700	-	800	800	22-1/16	25-3/16	53414-17
	48	800	-	900	-	24-1/16	27-1/16	53414-18
	49	-	500	-	-	20-7/16	24-1/8	53414-19
	50	-	700	-	-	28-13/16	35-7/16	53414-20

1983-1995

Note:

Greaseptor baffle assemblies, cover hardware & gasket material can also be ordered by identifying the cover (Items 51 thru 61).



Please Check

- Cover
- Greaseptor Baffle Assembly
- Cover Hardware & Gasket Material

Note:

From 1991 to present the Z1170 LT series is replaced by the Z1171 series.

Please Check	Item No.	Z1170	Z1170 LT (Z1171)	Z1173	Z1186	A	B	New Fab. P.N.
<input checked="" type="checkbox"/>	51	100	-	200	-	9-7/16	13-1/16	56397-1
	52	200	-	300	-	11-7/16	14-7/16	56397-2
	53	300	-	400	300/400	13-9/16	16-7/16	56397-3
	54	400	-	500	500	16-5/16	18-7/16	56397-4
	55	500	-	600	600	16-13/16	21-5/16	56397-5
	56	600	-	700	700	19-7/16	23-5/16	56397-6
	57	700	-	800	800	22-1/16	25-3/16	56397-7
	58	800	-	900	-	24-1/16	27-1/16	56397-8
	59	-	500	-	-	20-9/16	24-5/16	59410-1
	60	-	700	-	-	28-13/16	35-7/16	59410-2
	61	-	800	-	-	28-13/16	42-13/16	59410-3

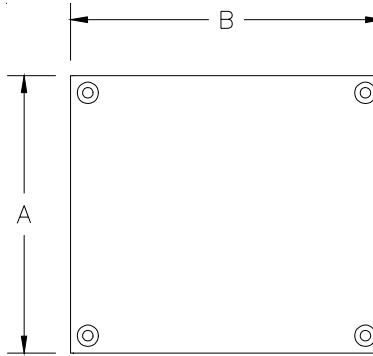


GREASE & OIL INTERCEPTOR COVER STYLES (FOR FABRICATED STEEL BODIES)

1995-2001

Note:

Greaseptor baffle assemblies, cover hardware & gasket material can also be ordered by identifying the cover (Items 62 thru 73).



Please Check

- Cover
- Greaseptor Baffle Assembly
- Cover Hardware & Gasket Material

Please Check	Item No.	Z1170	Z1171	Z1173	Z1186	A	B	New Fab. P.N.
<input checked="" type="checkbox"/>	62	100	-	-	-	9-7/16	13-1/16	56397-9
	63	200	-	200	-	11-7/16	14-7/16	56397-10
	64	300	-	300	300/400	13-9/16	16-7/16	56397-11
	65	400	-	400	500	16-5/16	18-7/16	56397-12
	66	500	-	500	600	16-13/16	21-5/16	56397-13
	67	600	-	600	700	19-7/16	23-5/16	56397-14
	68	700	-	700	800	22-1/16	25-3/16	56397-15
	69	800	-	800	-	24-1/16	27-1/16	56397-16
	70	-	-	900	-	28-1/8	29-7/16	59682-1
	71	-	500	-	-	20-9/16	24-5/16	59410-4
	72	-	700	-	-	28-13/16	35-7/16	59410-5
	73	-	800	-	-	28-13/16	42-13/16	59410-6

1999-2001

Note:
Greaseptor baffle assemblies, cover hardware & gasket material can also be ordered by identifying the cover (Items 74 thru 89).

Please Check

- Cover
- Greaseptor Baffle Assembly
- Cover Hardware & Gasket Material

2001-PRESENT

Please Check	Item No.	Z1174	A	B	New Fab. P.N.
<input checked="" type="checkbox"/>	74	100	9-7/16	13-1/16	56397-17
	75	200	11-7/16	14-7/16	56397-18
	76	300	13-9/16	16-7/16	56397-19
	77	400	16-5/16	18-7/16	56397-20
	78	500	16-13/16	21-5/16	56397-21
	79	600	19-7/16	23-5/16	56397-22
	80	700	22-1/16	25-3/16	56397-23
	81	800	24-1/16	27-1/16	56397-24

Please Check	Item No.	Z1174	A	B	New Fab. P.N.
<input checked="" type="checkbox"/>	82	100	9-7/16	13-1/16	62557-10
	83	200	11-7/16	14-7/16	62557-11
	84	300	13-9/16	16-7/16	62557-12
	85	400	16-5/16	18-7/16	62557-13
	86	500	16-13/16	21-5/16	62557-14
	87	600	19-7/16	23-5/16	62557-15
	88	700	22-1/16	25-3/16	62557-16
	89	800	24-1/16	27-1/16	62557-17



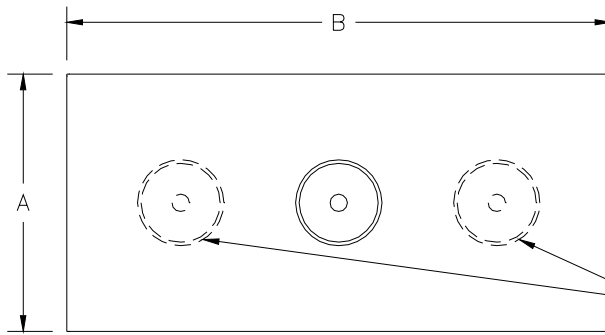
GREASE & OIL INTERCEPTOR COVER STYLES (FOR FABRICATED STEEL BODIES)

Note:

Greaseptor baffle assemblies, cover hardware & gasket material can also be ordered by identifying the cover (Items 90 thru 100).

2002-PRESENT

- Please Check
- Cover
- Greaseptor Baffle Assembly
- Cover Hardware & Gasket Material



(2) REQUIRED FOR ITEMS 99 AND 100 ONLY

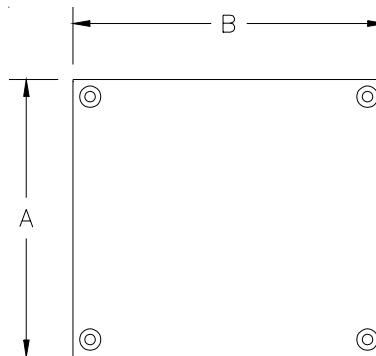
Please Check	Item No.	Z1160	Z1170	Z1171	A	B	New Fab. P.N.
<input checked="" type="checkbox"/>	90	100	100	-	9-7/16	13-1/16	62557-1
	91	200	200	-	11-7/16	14-7/16	62557-2
	92	300	300	-	13-9/16	16-7/16	62557-3
	93	400	400	-	16-5/16	18-7/16	62557-4
	94	500	500	-	16-13/16	21-5/16	62557-5
	95	600	600	-	19-7/16	23-5/16	62557-6
	96	700	700	-	22-1/16	25-3/16	62557-7
	97	800	800	-	24-1/16	27-1/16	62557-8
	98	-	-	500	20-9/16	24-5/16	66633-1
	99	-	-	700	28-13/16	35-7/16	66633-2
	100	-	-	800	28-13/16	42-13/16	66633-3

Note:

Greaseptor baffle assemblies, cover hardware & gasket material can also be ordered by identifying the cover (Items 101 thru 108).

2002-PRESENT

- Please Check
- Cover
- Greaseptor Baffle Assembly
- Cover Hardware & Gasket Material



Please Check	Item No.	Z1173	Z1186	A	B	New Fab. P.N.
<input checked="" type="checkbox"/>	101	200	-	11-7/16	14-7/16	56397-10
	102	300	300/400	13-9/16	16-7/16	56397-11
	103	400	500	16-5/16	18-7/16	56397-12
	104	500	600	16-13/16	21-5/16	56397-13
	105	600	700	19-7/16	23-5/16	56397-14
	106	700	800	22-1/16	25-3/16	56397-15
	107	800	-	24-1/16	27-1/16	56397-16
	108	900	-	28-1/8	29-7/8	59682-1