



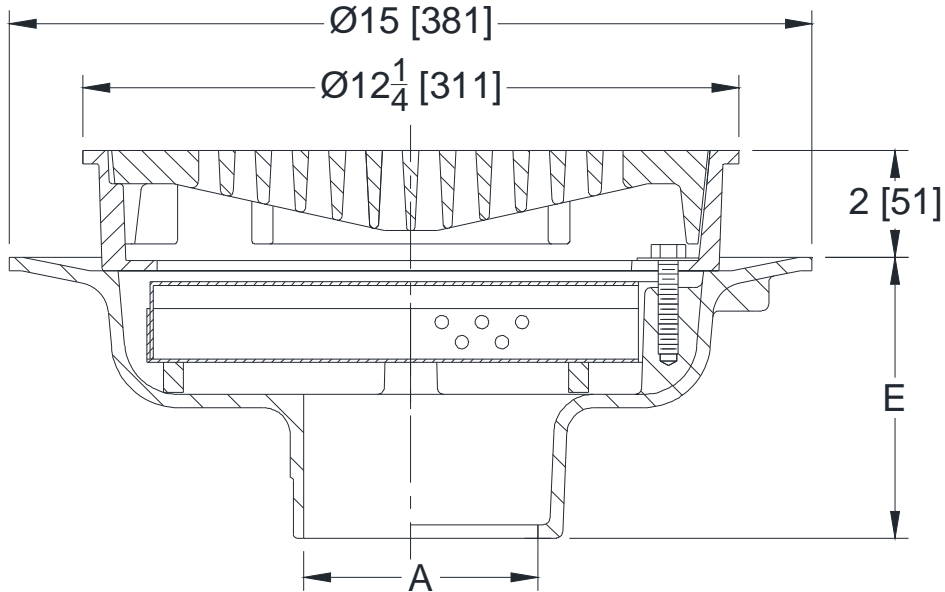
# Z505

## 12-1/4 [311] DIAMETER TOP HEAVY DUTY DRAIN W/ SEDIMENT BUCKET

SPECIFICATION SHEET

TAG \_\_\_\_\_

Dimensional Data (inches and [ mm ]) are Subject to Manufacturing Tolerances and Change Without Notice



A Pipe Size In.[mm]	Approx. Wt. Lbs.[kg]	Grate Open Area Sq. In. [cm <sup>2</sup> ]
2,3,4,6 [51,76,102,152]	39 [18]	30 [194]
8 [203]	41 [19]	

### ENGINEERING SPECIFICATION: ZURN Z505

12-1/4" [311mm] Diameter top drain. Dura-Coated cast iron body with bottom outlet, seepage pan and combination membrane flashing clamp and frame for heavy duty deep flange slotted duresist grate with sediment bucket.

### OPTIONS (Check/specify appropriate options)

#### PIPE SIZE

- 3,4,6 [76,102,152]
- 3,4,6 [76,102,152]
- 2,3,4,6,8 [51,76,102,152,203]
- 2,3,4,6,8 [51,76,102,152,203]
- 2,3,4 [51,76,102]

#### (Specify size/type) OUTLET

- \_\_\_ IC Inside Caulk
- \_\_\_ IG Inside Gasket
- \_\_\_ IP Threaded
- \_\_\_ NH No-Hub
- \_\_\_ NL Neo-Loc

#### 'E' BODY HT. DIM.

- 5-1/4 [133]
- 5-1/4 [133]
- 3-3/4 [95]
- 5-1/4 [133]
- 4-5/8 [117]

#### PREFIXES

- \_\_\_ Z D.C.C.I. Body and Top\*
- \_\_\_ ZN D.C.C.I. Body with Polished Nickel Bronze Top (Add 3/16 [5] to 2 [51] Dim. and 3/4 [20] to 12-1/4 [311] Dim.)

#### SUFFIXES

- |   |  |
|---|--|
| ___ -AR Acid Resisting Epoxy Coated Cast Iron           | ___ -SS Stainless Mesh Liner for Bucket  |
| ___ -F Extension Frame<br>(Specify Total Height Req'd.) | ___ -T Square Top  |
| ___ -G Galvanized Cast Iron                             | ___ -TC Neo-Loc Test Cap Gasket<br>(2,3,4 [51,76,102] NL Bottom Outlet Only)           |
| ___ -HP Heel-Proof Grate                                | ___ -TS Top Secured with Slotted Screws  |
| ___ -HT Square Hinged Grate                             | ___ -TSP Trap Seal Protection Device<br>(sizes match drain outlet selected, see Z1072) |
| ___ -P Trap Primer Connection                           | ___ -V Backwater Valve (See Z1099)   |
| ___ -S Secondary Strainer                               | ___ -VP Vandal-Proof Secured Top   |
| ___ -SA Stabilizer Assembly (See Z1036)                 | ___ -90 90° Threaded Side Outlet Body<br>(2,3,4,6 [51,76,102,152] Only)                |
| ___ -SC Solid Cover                                     |  |

\* Regularly furnished unless otherwise specified.