



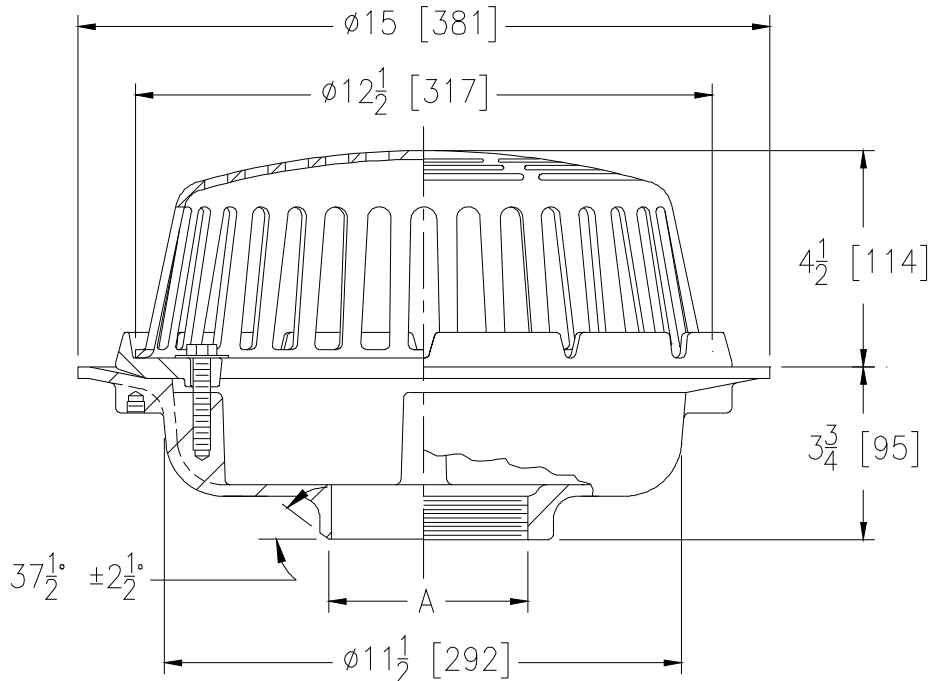
Z1715

15 [381] DIAMETER ROOF DRAIN

SPECIFICATION SHEET

TAG _____

Dimensional Data (inches and [mm]) are Subject to Manufacturing Tolerances and Change Without Notice



A - Pipe Size In [mm]	Approx. Wt. Lbs. [kg]	Dome Open Area Sq. In. [cm ²]
3, 4 [76, 102]	52 [24]	103 [665]
6 [152]	54 [24]	

ENGINEERING SPECIFICATION: ZURN Z1715

Type 304 (CF8) stainless steel roof drain body with galvanized cast iron combination gravel guard/flashing clamp and dome strainer.

OPTIONS (Check/specify appropriate options)

PIPE SIZE

3, 4, 6 [76, 102, 152]

3, 4 [76, 102]

(Specify size/type) **OUTLET**

- _____ BW Butt-weld
(Specify Schedule 10 or 40)
- _____ IP Threaded

PREFIXES

- _____ Z Type 304 (CF8) Stainless Steel Body*
- _____ ZM Type 316 (CF8M) Stainless Steel Body

SUFFIXES

- _____ -C Galvanized Underdeck Clamp
- _____ -DP Top-Set® Deck Plate (Replaces both the -C and -R)
- _____ -E Galvanized Extension (Specify Height from 1 - 4 [25 - 102])
- _____ -R Galvanized Steel Sump Receiver
- _____ -VP Vandal-Proof Secured Top

* Regularly furnished unless otherwise specified.