



Z100

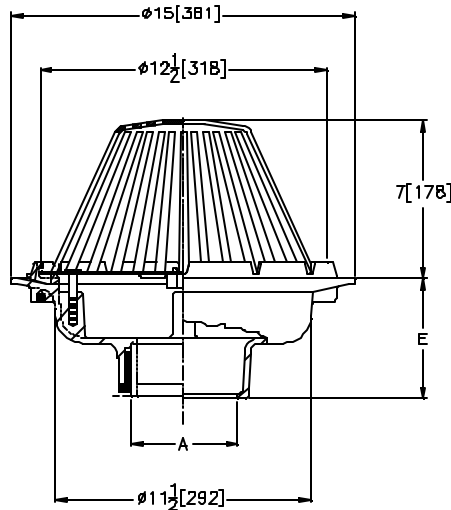
SPECIFICATION SHEET

15" [381] DIAMETER MAIN ROOF DRAIN

TAG \_\_\_\_\_



Dimensional Data (inches and [mm]) are Subject to Manufacturing Tolerances and Change Without Notice



A Pipe Size Inches / [mm]	Approx. Wt. Lbs. / [kg]	Dome Open Area Sq. In. / [sq cm]
2-3-4 [51-76-102]	26 [12]	148 [955]
5-6 [127-152]	27 [12]	
8 [203]	28 [13]	

**ENGINEERING SPECIFICATION:** ZURN Z100 15 [381] diameter roof drain. Dura-Coated cast iron body with combination membrane flashing clamp/gravel guard and Poly-Dome.

**OPTIONS** (Check/specify appropriate options)

**PIPE SIZE**

- 2 thru 6, 8 [50 thru 150,200]
- 2 thru 6, 8 [50 thru 150,200]
- 2 thru 6, 8 [50 thru 150,200]
- 2,3,4 [50,75,100]

(Specify size/type) **OUTLET**

- \_\_\_\_\_ IC Inside Caulk
- \_\_\_\_\_ IP Threaded
- \_\_\_\_\_ NH No-Hub
- \_\_\_\_\_ NL Neo-Loc

**E BODY HT. DIM.**

- 5 1/4 [133]
- 3 3/4 [95]
- 5 1/4 [133]
- 4 5/8 [117]

**PREFIXES**

- \_\_\_\_\_ Z D.C.C.I. Body with Poly-Dome\*
- \_\_\_\_\_ ZA D.C.C.I. Body with Aluminum Dome
- \_\_\_\_\_ ZC D.C.C.I. Body with Cast Iron Dome
- \_\_\_\_\_ ZRB D.C.C.I. Body with Plain Bronze Dome

**SUFFIXES**

- |   |  |
|---|--|
| _____ -A Waterproof Flange  | _____ -G Galvanized Cast Iron  |
| _____ -AC Angular Underdeck Clamp   | _____ -GD Galvanized Cast Iron Dome (ZC Only)                            |
| _____ -AR Acid Resistant Epoxy Coated Finish                                    | _____ -R Roof Sump Receiver  |
| _____ -AW 3/4 [19] to 4 [102] Adj. Water Level Regulator                        | _____ -SC Secondary Clamp Collar   |
| _____ -BS Bronze Mesh Screen Over Dome  | _____ -SE 3 3/4 [95] Slotted Extension - Inverted Roof                   |
| _____ -C Underdeck Clamp  | _____ -SSM Stainless Steel Mesh Screen Over Dome                         |
| _____ -DP Top Set® Roof Deck Plate (Replaces both the -C and -R)                | _____ -TC Neo-LocTest CapGasket (2 [51] to 4 [102] N Bottom Outlet Only) |
| _____ -DR Adjustable Drain Riser Extension Assembly 3-5/8" [92] to 7-1/4" [184] | _____ -VP Vandal Proof Secured Top                                       |
| _____ -DX Dex-O-Tex Flange  | _____ -W Internal Water Dam (Specify 2 [51], 3 [76], 4 [100])            |
| _____ -E Static Extension 1 [25] thru 4 [102] (Specify Ht.)                     | _____ -XJ Vertical Expansion Joint (See Z-190)                           |
| _____ -EA Adjustable Extension Assembly 1 3/4 [44] thru 3 1/2 [89]              | _____ -84 Stainless Steel Perforated Gravel Guard                        |
| _____ -EB Elevating Body Plate  | _____ -85 Stainless Steel Perforated Extension                           |
| _____ -ES Static Extension with Secondary Clamp Collar Body                     | _____ -89 2 [51] High External Water Dam                                 |
| _____ -FG Flush Grate (Replaces Dome Strainer)                                  | _____ -90 90° Threaded Side Outlet Body                                  |

<b>REV. A</b>	<b>DATE: 05/17/04</b>	<b>C.N. NO. 89814</b>
<b>DWG. NO. 63600</b>	<b>PRODUCT NO. Z100</b>	

\*REGULARLY FURNISHED UNLESS OTHERWISE SPECIFIED