



HET ELONGATED FLOOR MOUNTED, ADA HEIGHT ECOVANTAGE®  
FLUSH VALVE TOILET SYSTEM  
**Z5665-BWL1**

TAG \_\_\_\_\_

**ARCHITECTURAL & ENGINEERING SPECIFICATION**

**Z5665-BWL1**

**EcoVantage High Efficiency Toilet System**

Vitreous China, 1.1 gpf [4.2 Lpf] or greater high efficiency, ADA, floor mounted, bottom outlet toilet with siphon jet flushing action and elongated front rim with 1-1/2" [39mm] top spud. This bowl is designed to perform to industry standards with as little as 1.1 gallons per flush.

**Z5665-BWL1-AM**

**EcoVantage High Efficiency Toilet System**

Vitreous China, 1.1 gpf [4.2 Lpf] or greater high efficiency, ADA, floor mounted, bottom outlet toilet with siphon jet flushing action, ZurnSHIELD™ ceramic glaze and elongated front rim with 1-1/2" [39mm] top spud. This bowl is designed to perform to industry standards with as little as 1.1 gallons per flush.

**Z5666-BWL1**

**EcoVantage High Efficiency Toilet System**

Vitreous China, 1.1 gpf [4.2 Lpf] or greater high efficiency, ADA, floor mounted, bottom outlet toilet with siphon jet flushing action, ZurnSHIELD™ ceramic glaze and elongated front rim with integral bedpan lugs, and 1-1/2" [39mm] top spud. This bowl is designed to perform to industry standards with as little as 1.1 gallons per flush.

**PRODUCT FEATURES**

**Z5665 HET Series**

- Zurn High Efficiency Toilets and paired performance flush valve systems are designed to exceed industry standards, while using as little as 1.1 gallons of water per flush
- Universal high efficiency toilet can be specified with 1.1 gpf [4.2 Lpf], 1.28 gpf [4.8 Lpf], 1.6 gpf [6.0 Lpf] or dual flush valves
- Vitreous china
- ADA height
- Elongated front rim
- 2-1/8" [54mm] fully glazed trapway
- High efficiency siphon jet flush action
- Shipping weight 65 lbs

**COMPLIANCE AND CERTIFICATION:**

- Complies with ASME A112.19.2 / CSA B45.1
- ADA Compliant



This product should be used with a WaterSense labeled counterpart with a compatible flush volume to ensure that the entire system meets the requirements for water efficiency and performance.

NOTE: To ensure system performance:  
Minimum Running Water Pressure = 25 psi.



**VARIANT OPTIONS**

Z5665-BWL1	Z5665 Series top spud toilet
Z5665-BWL1-AM	Z5665 Series top spud toilet with ZurnSHIELD™ glaze
Z5666-BWL1	Z5665 Series top spud toilet with Top Spud Toilet with integral bedpan lugs and ZurnSHIELD™ glaze

**RECOMMENDED TRIM**

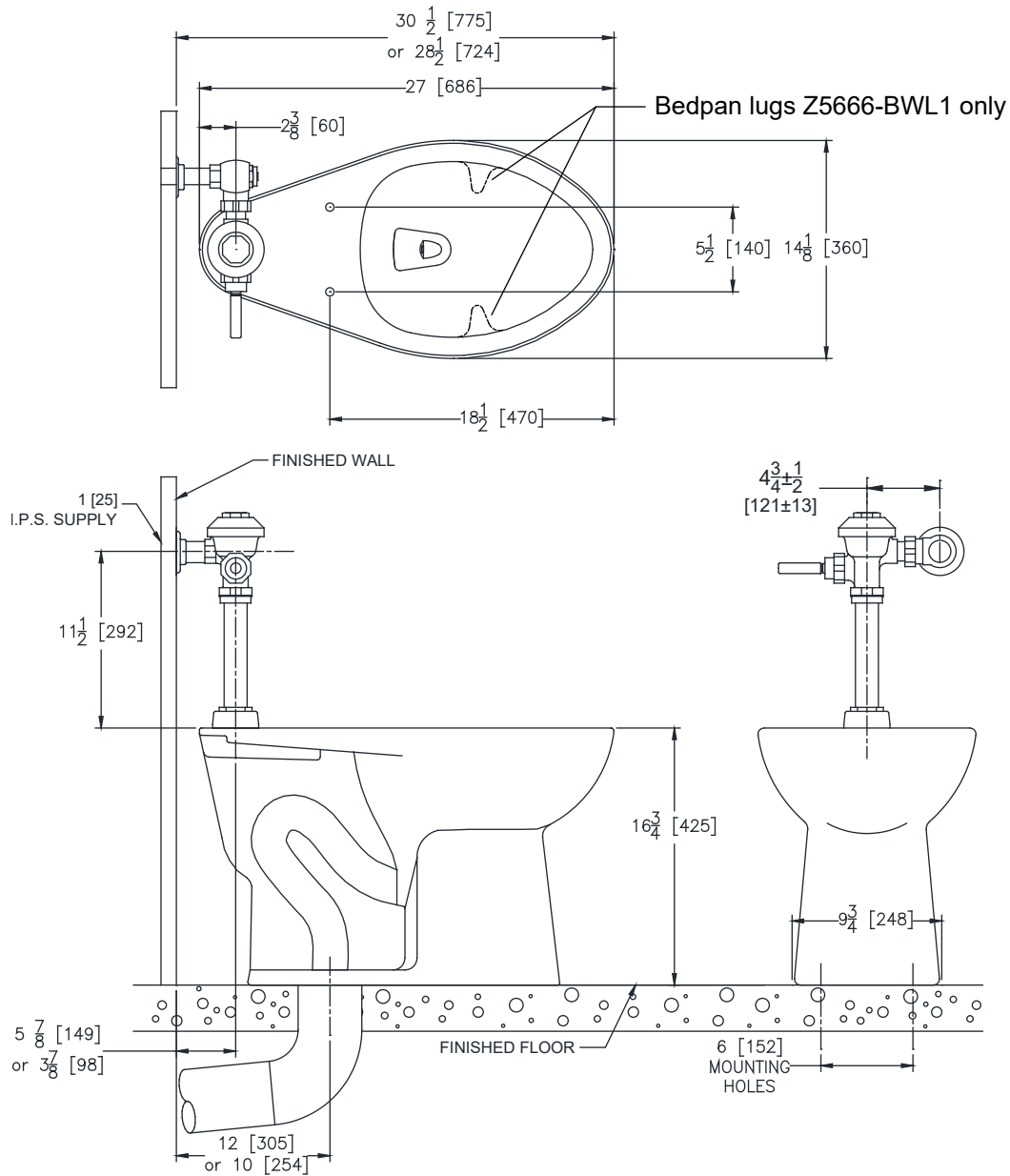
Z5955SS-EL	Elongated, standard white, open front toilet seat less cover with stainless steel check hinge
Z5972-COMB	Closet bolt & wax ring kit

See Zurn One Systems for suggested packages.

ARCHITECTURAL & ENGINEERING APPROVAL

The information contained in this document is subject to change without notice. Please contact Zurn for most up to date information.

Rough-in dimensions/Overview dimensions



NOTE: All dimensions are for reference only. Do not use for pre-plumbing.